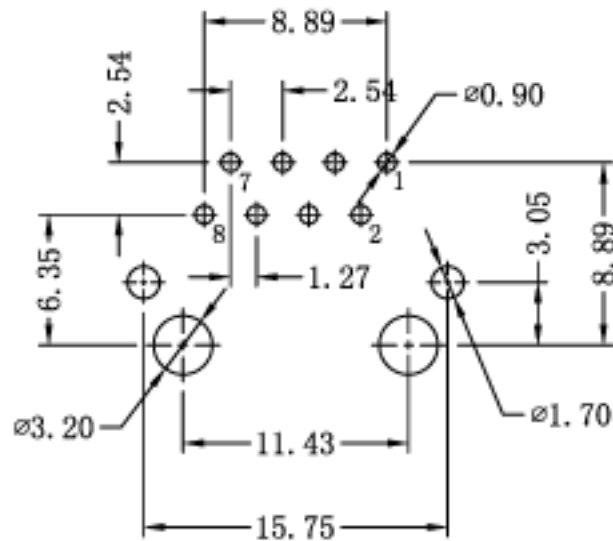
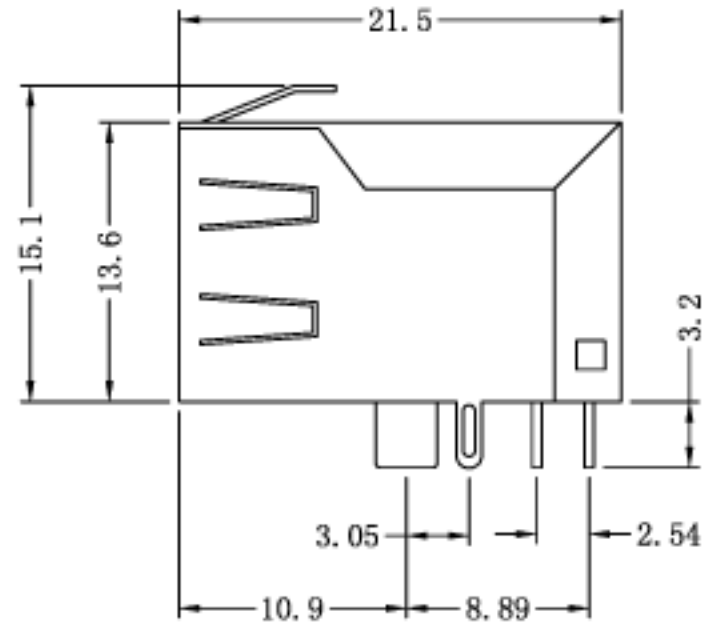
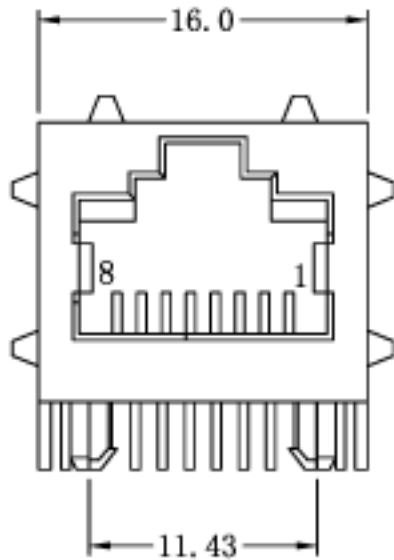


Mechanical:

REV.	ECN NO.	DESCRIPTION	DATE	APPD
A	REL		17/09/2009	



SUGGESTED PCB LAYOUT (TOP VIEW)

NOTES:

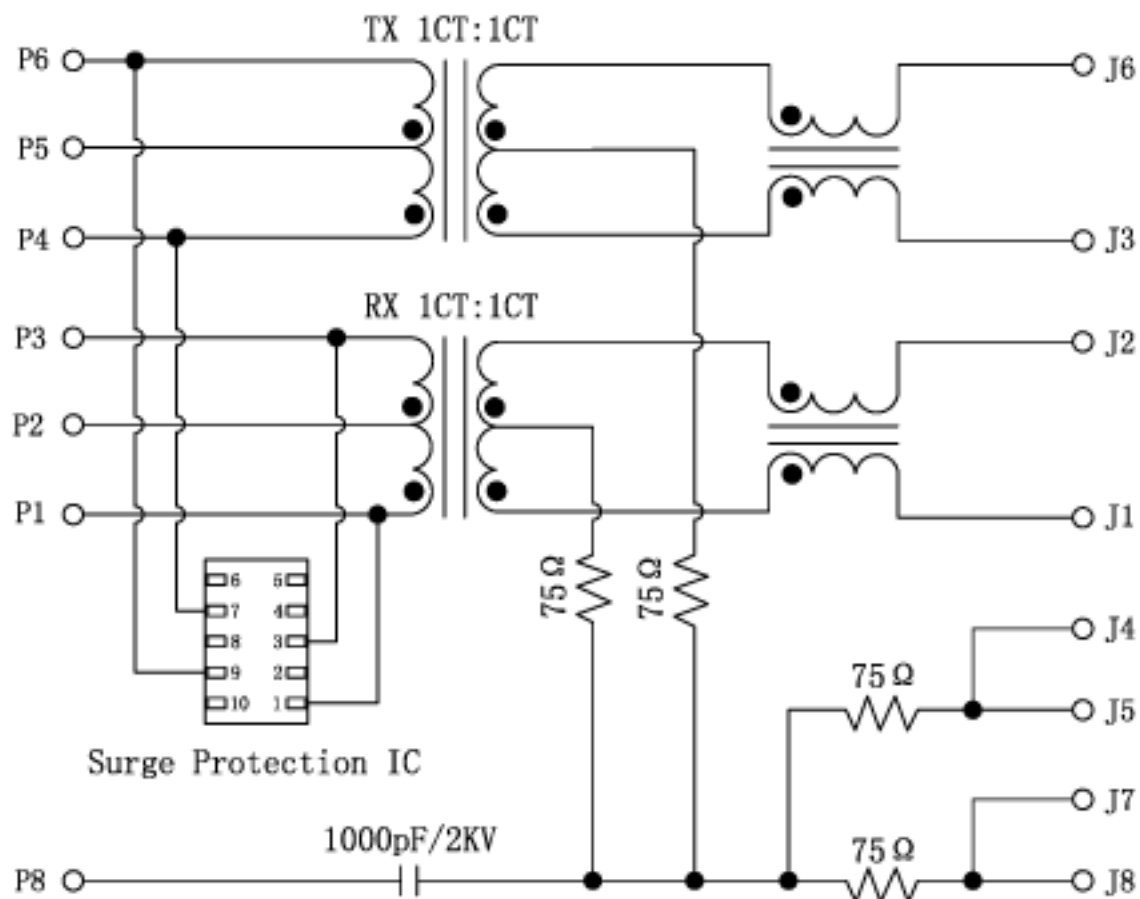
1. Designed to support application, such as SOHO (ADSL modems), LAN-on-Motherboard (LOM), hub and Switches.
2. Meets IEEE 802.3 specification
3. Connector Materials:
 Housing: Thermoplastic UL94V-0
 Contact/Shield: Copper alloy
 Shield plating: Nickel
 Contact plating: Gold 6 micro-inches min. In contact area.



X: X	±0.20	APPD:	XMULTIPLE
X: XX	±0.10	CHRD:	
X: XXX	±0.05	ID: leo	TITLE: RJ45 Connector With 10/100 Base-TX Integrated Magnetic TAB-UP Surge protection
ANGLES	±1°	UNIT: mm	PART NO.: XMH-TRJ16209CNL
	SCALE: 2/1	SHEET: 1/2	REV: A DWG NO: TRC09091708

Schematic:

REV.	ECN NO.	DESCRIPTION	DATE	APPD
A	REL		17/09/2009	



Electrical Specifications@25°C:

- Turns Ratio:
TX=1CT:1CT RX=1CT:1CT
- Inductance OCL:
350uH min @100KHz, 100mV, 8mAdc.
- Return Loss (Min):
1-30MHz:-16dB
30-60MHz:-12dB
60-80MHz:-10dB
- Crosstalk (Min):
1-60MHz:-40dB
60-100MHz:-38dB
- Insertion Loss (Max):
1-100MHz:-1.0dB
- Isolation Voltage:1500Vrms
- Built-in Surge Protection IC, meet with
IEC 61000-4-2 (ESD)
IEC 61000-4-4 (EFT)
IEC 61000-4-5 (Lightning)
- Operating Temperature:0~70°C



X: X	±0.20	APPD:	XMULTIPLE
X: XX	±0.10	CHRD:	
X: XXX	±0.05	DR: leo	
ANGLES	±1°	UNIT: mm	TITLE: RJ45 Connector With 10/100 Base-TX Integrated Magnetic TAB-UP Surge protection
PART NO: XMH-TRJ16209CNL			
SCALE: 2/1		SHEET: 2/2	REV: A DWG NO: TRC09091708