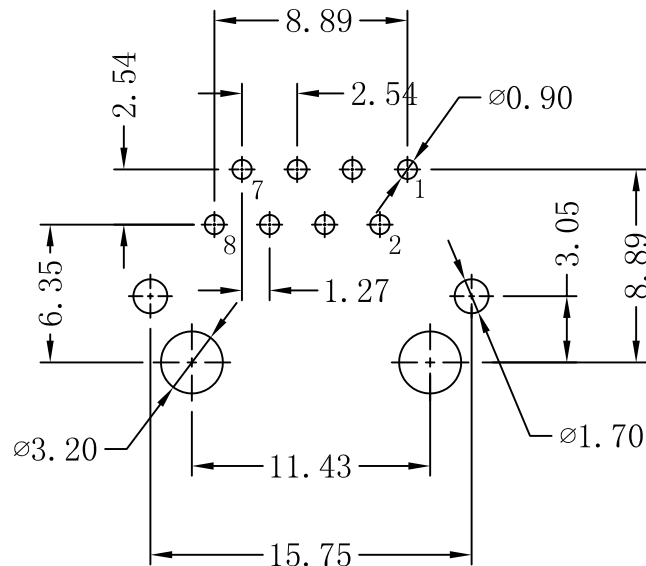
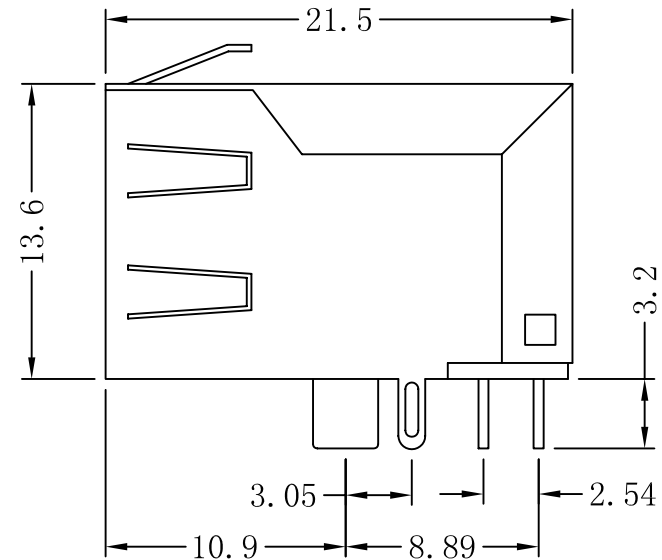
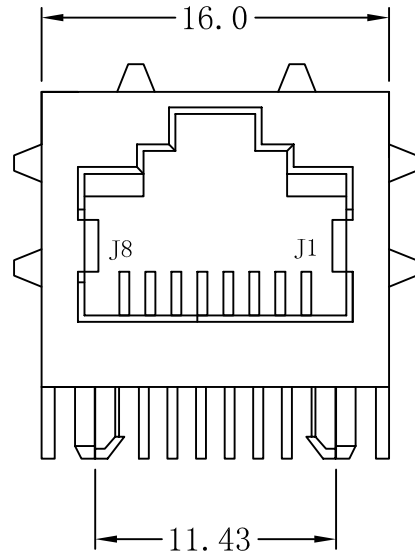


# Mechanical:

REV.	ECN NO.	DESCRIPTION	DATE	APPD
A	REL		18/09/2009	



SUGGESTED PCB LAYOUT (TOP VIEW)



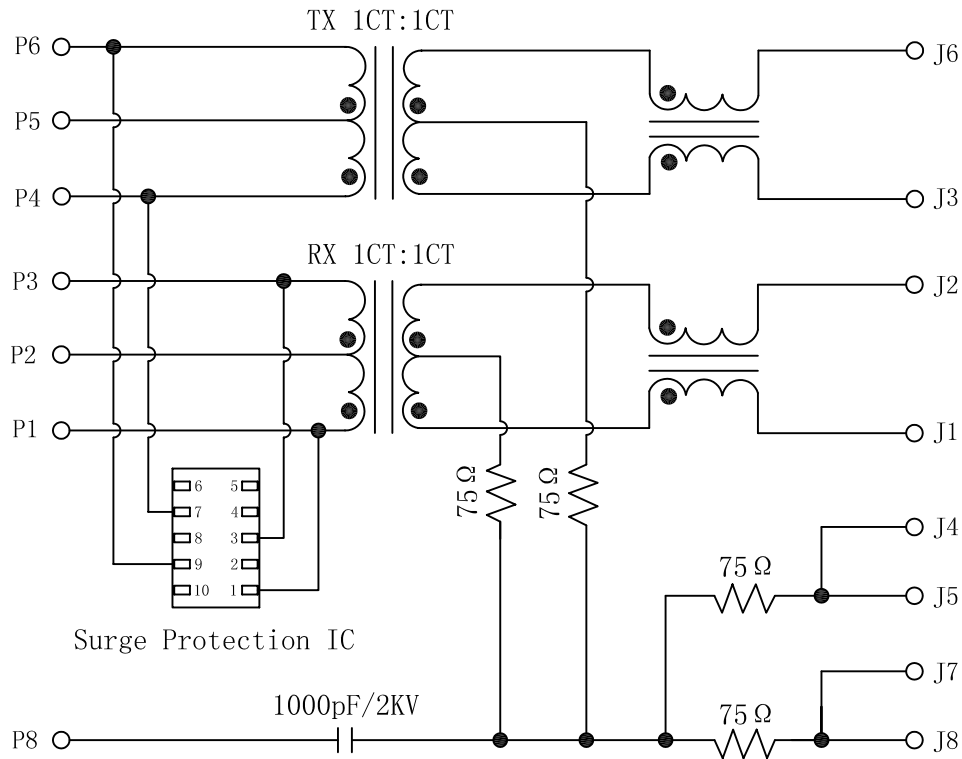
## NOTES:

1. Designed to support application, such as SOHO (ADSL modems), LAN-on-Motherboard (LOM), hub and Switches.
2. Meets IEEE 802.3 specification
3. Connector Materials:  
 Housing: Thermoplastic UL94V-0  
 Contact/Shield: Copper alloy  
 Shield plating: Nickel  
 Contact plating: Gold 6 micro-inches min. In contact area.
4. Wave solder tip temperature: 265°C Max  
 Wave solder tip temperature time: 5 Sec Max

X:X	±0.20	APPD:	<b>XMULTIPLE</b>
X:XX	±0.10	CHKD:	
X:XXX	±0.05	DR: C. H. Y	
ANGLES	±1°	UNIT: mm	TITLE.: RJ45 Connector With 10/100 Base-TX Integrated Magnetic TAB-UP Surge protection
			PART NO.: XMH-TRJ16609CNL
	SCALE: 2/1	SHEET: 1/2	REV: A
			DWG NO: TRC09091812

# Schematic:

REV.	ECN NO.	DESCRIPTION	DATE	APPD
A	REL		18/09/2009	



## Electrical Specifications @25°C

- Turns Ratio:  
TX=1CT:1CT      RX=1CT:1CT
- Inductance OCL:  
350uH min @100KHz, 100mV, 8mAdc.
- Return Loss (dB Min):  
1-30MHz:-16      30-60MHz:-12dB  
60-80MHz:-10
- Crosstalk (dB Min):  
1-60MHz:-40      60-100MHz:-38
- Insertion Loss:  
1-100MHz:-1.0dB Max
- Isolation Voltage:1500Vrms
- Built-in Surge Protection IC, meet with  
IEC 61000-4-2 (ESD)  
IEC 61000-4-4 (EFT)  
IEC 61000-4-5 (Lightning)
- Operating Temperature: -40°C ~ +85°C.



X:X	±0.20	APPD:	<b>XMULTIPLE</b>	
X:XX	±0.10	CHKD:		
X:XXX	±0.05	DR: C. H. Y		
ANGLES ±1°		UNIT: mm	PART NO. :	XMH-TRJ16609CNL
SCALE: 2/1		SHEET: 2/2	REV: A	DWG NO: TRC09091812