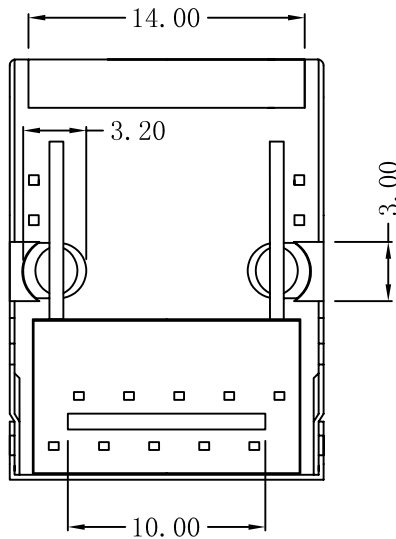
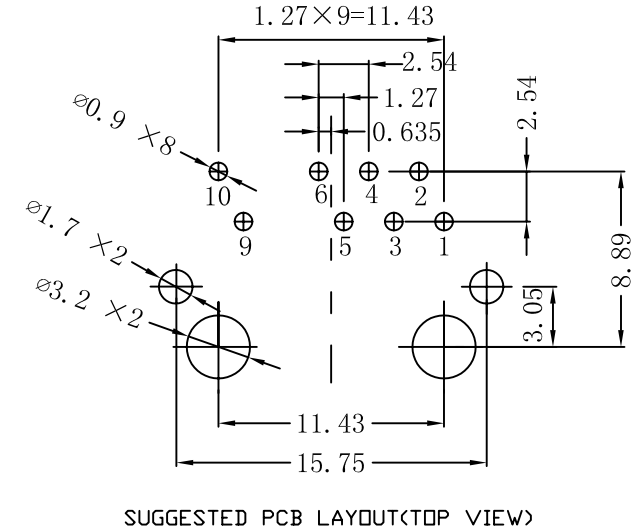
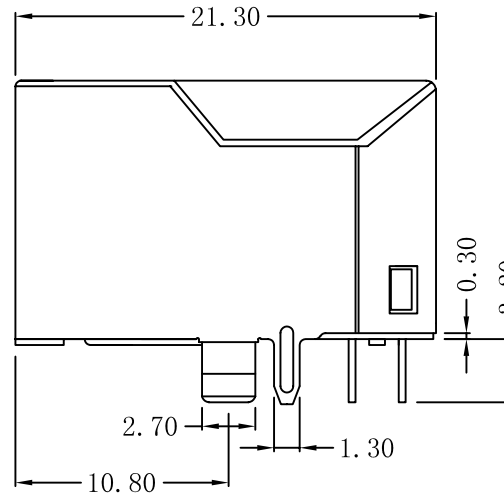
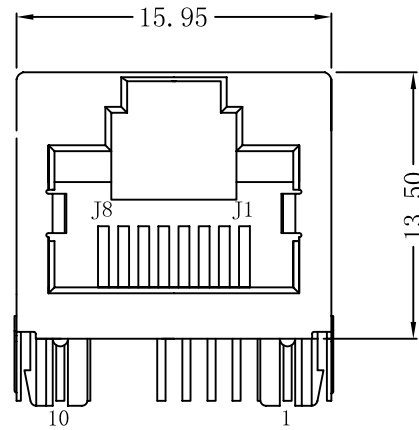


Mechanical:

REV.	ECN NO.	DESCRIPTION	DATE	APPD
A	REL		2012/12/06	



NOTES:

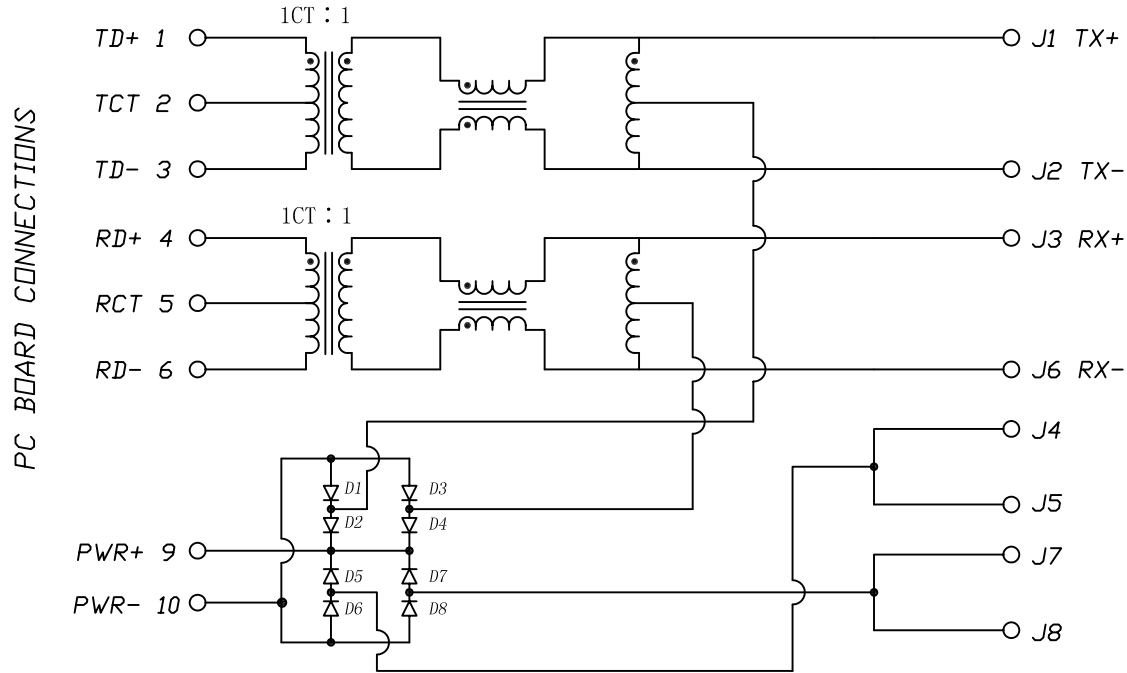
1. Designed to support application, such as SOHO (ADSL modems), LAN-on-Motherboard (LOM), hub and Switches.
2. Meets IEEE 802.3 specification
3. Connector Materials:
 Housing: Thermoplastic UL94V-0
 Contact/Shield: Copper alloy
 Shield plating: Nickel
 Contact plating: Gold 6 micro-inches min. In contact area.
4. Wave solder tip temperature: 265°C Max
 Wave solder tip temperature time: 5 Sec Max



X:X	±0.20	APPD:	X MULTIPLE
X:XX	±0.10	CHKD:	
X:XXX	±0.05	DR: C. H. Y	TITLE: RJ45 Connector With 10/100 Base-TX Integrated Magnetic & PoE
ANGLES	±1°	UNIT: mm	PART NO.: XMH-TRJ16624DNL
	SCALE: 2/1	SHEET: 1/2	REV: A DWG NO: TRC12120602

Schematic:

REV.	ECN NO.	DESCRIPTION	DATE	APPD
A	REL		2012/12/06	



Electrical Specifications @25°C

- Turns Ratio ($\pm 3\%$):
TX=1CT : 1 RX=1CT : 1
- Inductance OCL: 350uH Min
@100KHz, 100mV, 8mAdc.
- Insertion Loss:
1-100MHz: -1.9dB Max
- Return Loss (dB Min, @100Ω):
1-30MHz: -18
30-45MHz: -13.5
45-60MHz: -12
60-80MHz: -10
- Crosstalk:
1-100MHz: -30dB Min
- Mode Rejection Ratio:
1-100MHz: -30dB Min
- Isolation Voltage: 1500Vrms
- Operating Temperature: -40°C ~ +85°C



X:X	± 0.20	APPD:	X MULTIPLE
X:XX	± 0.10	CHKD:	
X:XXX	± 0.05	DR: C. H. Y	
ANGLES $\pm 1^\circ$		UNIT: mm	TITLE: RJ45 Connector With 10/100 Base-TX Integrated Magnetic & PoE
			PART NO.: XMH-TRJ16624DNL
	SCALE: 2/1	SHEET: 2/2	REV: A DWG NO: TRC12120602