

RoHS Compliance

NOTE:

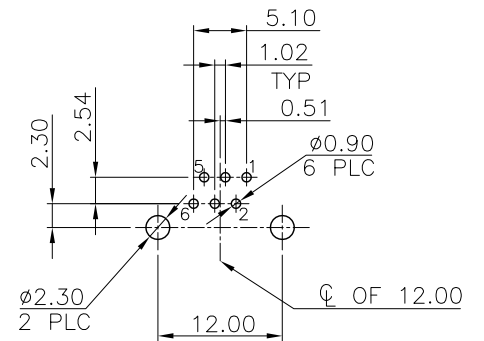
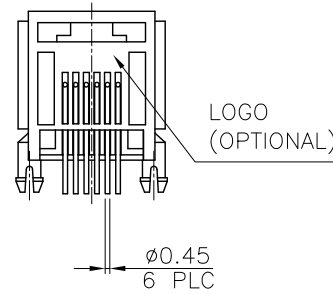
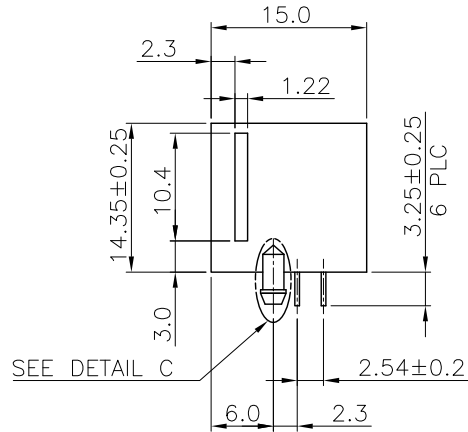
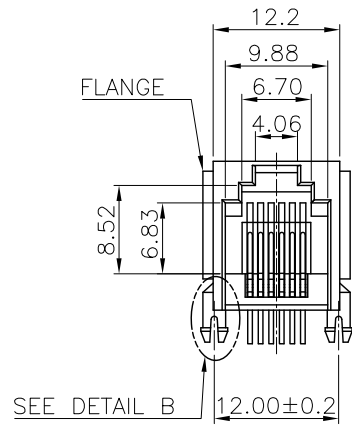
CAVITY CONFIRMS TO FCC RULES AND REGULATIONS PART 68, SUBPART F.

1. MATERIAL:

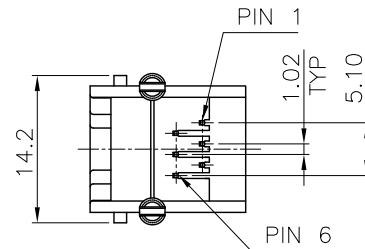
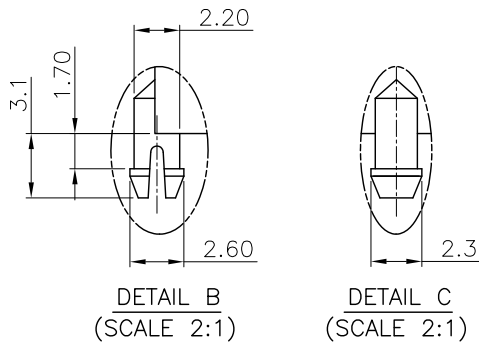
HOUSING: PBT OR PA46, WITH GLASS FIBER,
UL 94V-0, STANDARD COLOR-GRAY.
CONTACTS: PHOSPHOR BRONZE.

2. FINISH:

CONTACTS: $0.381\mu\text{m}$ [$15\mu''$] GOLD PLATED ON ENTIRE CONTACT,
 $1.27\mu\text{m}$ [$50\mu''$] MIN. NICKEL UNDERPLATED
ALL OVER.



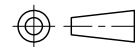
RECOMMENDED PCB LAYOUT
RECOMMENDED PCB THICKNESS: 1.6mm
TOLERANCE: ± 0.05 (TOP VIEW)



THIS DRAWING IS A CONTROLLED DOCUMENT.
DO NOT SCALE DRAWING.

DIMENSIONS:
MM

TOLERANCES UNLESS
OTHERWISE SPECIFIED:



THIRD ANGLE PROJECTION

0 PLC $\pm -$
1 PLC ± 0.25
2 PLC ± 0.13
3 PLC ± 0.05
ANGLES $\pm -$

MATERIAL

SEE NOTES

FINISH

SEE NOTES

DWN

A.HUANG

DATE

AUG-10-2011

CHK

M.CHANG

DATE

AUG-10-2011

APVD

W.J.YANG

DATE

AUG-11-2011

XMULTIPLE

TITLE

6POSITION, LOW PROFILE,
SIDE ENTRY PCB JACK

LTR	DESCRIPTION	DATE	APVD
REVISIONS			

SIZE	CAUSE CODE	DRAWING NO
A3	-	XMK-9606-6611-TO1
WEIGHT	GRAMS Ref.	REV
-	-	-
		SHEET
		1