

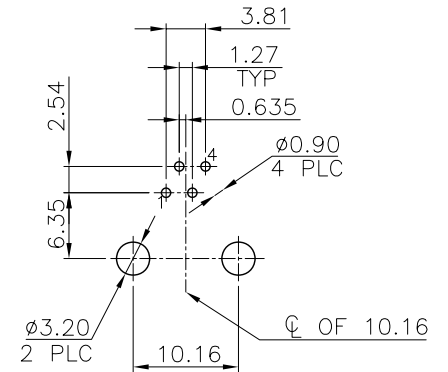
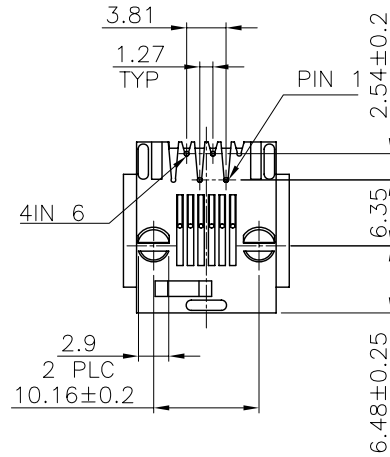
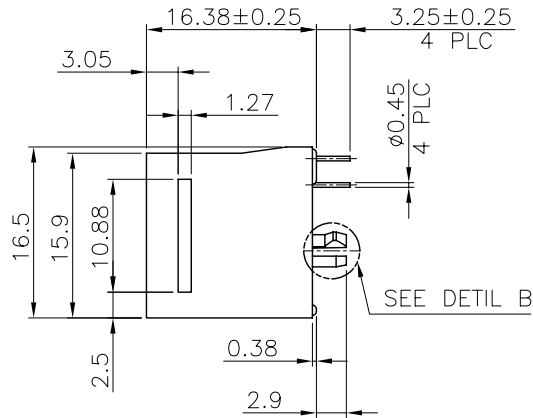
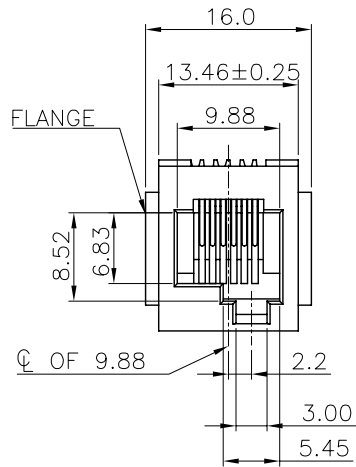
# RoHS Compliance

NOTE:

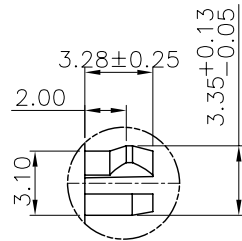
CAVITY CONFIRMS TO FCC RULES AND REGULATIONS PART 68, SUBPART F.

1. MATERIAL:  
 HOUSING: PBT, WITH GLASS FIBER,  
 UL 94V-0, STANDARD COLOR-BLACK.  
 CONTACTS: PHOSPHOR BRONZE.

2. FINISH:  
 CONTACTS: GOLD FLASH ON ENTIRE CONTACT,  
 1.27 $\mu$ m [50 $\mu$ "] MIN. NICKEL UNDERPLATED  
 ALL OVER.



RECOMMENDED PCB LAYOUT  
 RECOMMENDED PCB THICKNESS: 1.6mm  
 TOLERANCE:  $\pm 0.05$  (TOP VIEW)



DETAIL B  
 (SCALE 2:1)

THIS DRAWING IS A CONTROLLED DOCUMENT.  
 DO NOT SCALE DRAWING.

DIMENSIONS: MM	TOLERANCES UNLESS OTHERWISE SPECIFIED:
	0 PLC $\pm -$ 1 PLC $\pm 0.25$ 2 PLC $\pm 0.15$ 3 PLC $\pm 0.05$ ANGLES $\pm -$
THIRD ANGLE PROJECTION	
MATERIAL SEE NOTES	FINISH SEE NOTES

# XMULTIPLE

TITLE  
 6POSITION, 180°, SPLIT PEGS,  
 OFF-CENTER, TOP ENTRY PCB JACK

LTR	DESCRIPTION	DATE	APVD
REVISIONS			

DWN <b>A.HUANG</b>	DATE AUG-12-2010
CHK <b>M.CHANG</b>	DATE AUG-12-2010
APVD <b>W.J.YANG</b>	DATE AUG-13-2010

SIZE A3	CAUGE CODE -	DRAWING NO XMK-9607-6415-E
WEIGHT -	GRAMS Ref.	REV 10 SHEET 1