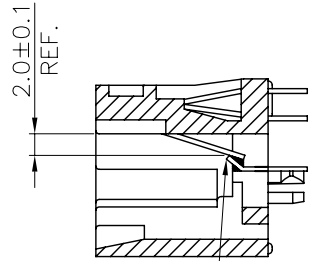
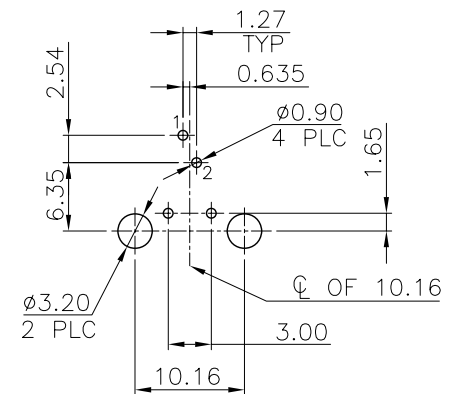
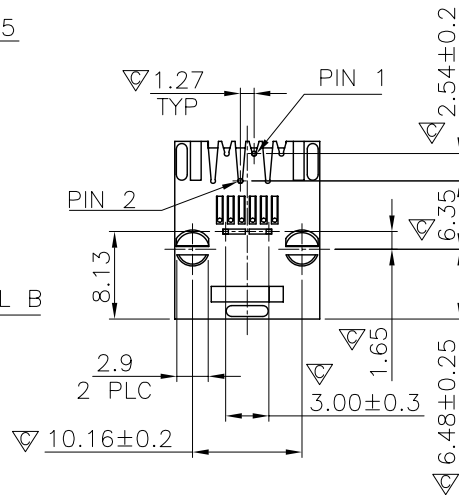
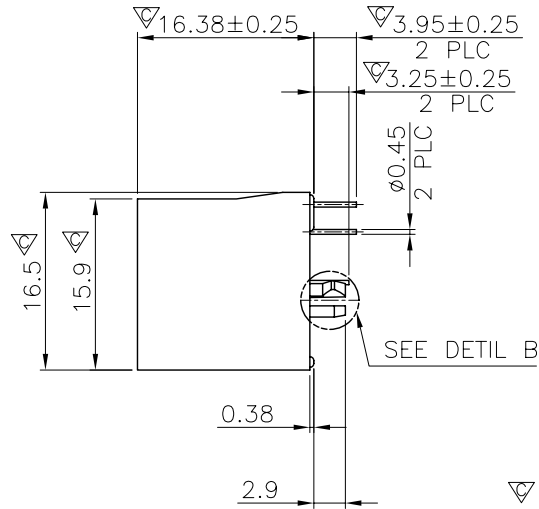
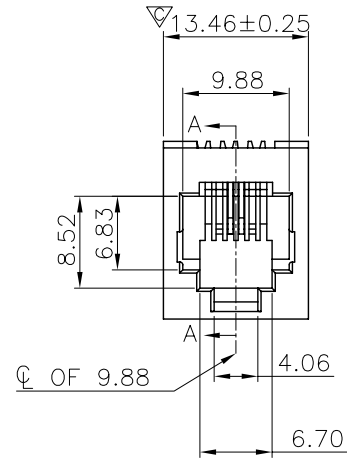
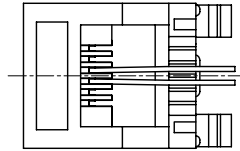


RoHS Compliance

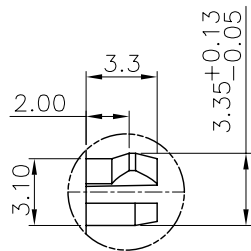


RJ45 CONTACT AND BRIDGE CONTACT MUST BE CONTACT

SECTION A-A



RECOMMENDED PCB LAYOUT
RECOMMENDED PCB THICKNESS: 1.6mm
TOLERANCE: ±0.05 (TOP VIEW)



DETAIL B
(SCALE 2:1)

NOTE:

CAVITY CONFIRMS TO FCC RULES AND REGULATIONS PART 68, SUBPART F.

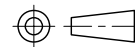
- MATERIAL:
HOUSING: PBT, WITH GLASS FIBER, UL 94V-0, STANDARD COLOR-BLACK.
CONTACTS: PHOSPHOR BRONZE.
SHORTING BUSS CONTACT: PHOSPHOR BRONZE.
- FINISH:
CONTACTS: 1.27μm [50μ"] GOLD PLATED ON ENTIRE CONTACT, 1.27μm [50μ"] MIN. NICKEL UNDERPLATED ALL OVER.
SHORTING BUSS CONTACT: 1.27μm [50μ"] GOLD PLATED ON ENTIRE CONTACT, 1.27μm [50μ"] MIN. NICKEL UNDERPLATED ALL OVER.

3. "▽" SHOWS QIP INSPECTION POINT.

THIS DRAWING IS A CONTROLLED DOCUMENT.
DO NOT SCALE DRAWING.

DIMENSIONS:
MM

TOLERANCES UNLESS
OTHERWISE SPECIFIED:



THIRD ANGLE PROJECTION

MATERIAL SEE NOTES

FINISH SEE NOTES

DWN *A.HUANG*

DATE AUG-10-2010

CHK *M.CHANG*

AUG-10-2010

APVD *W.J.YANG*

AUG-11-2010

XMULTIPLE

TITLE
6POSITION, 180°, SPLIT PEGS,
SHORTING BUSS, TOP ENTRY PCB JACK

SIZE CAUGE CODE DRAWING NO
A4 - XMK-9611-6213-B

WEIGHT - GRAMS Ref. REV 7 SHEET 1

LTR	DESCRIPTION	DATE	APVD
REVISIONS			