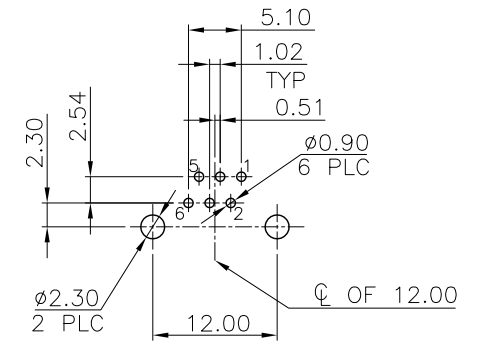
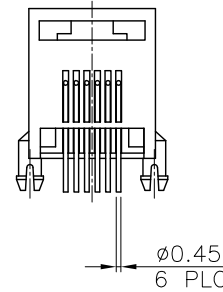
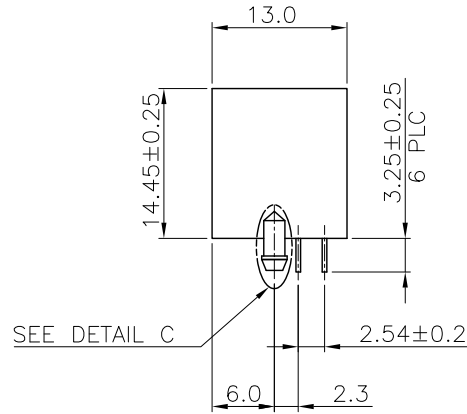
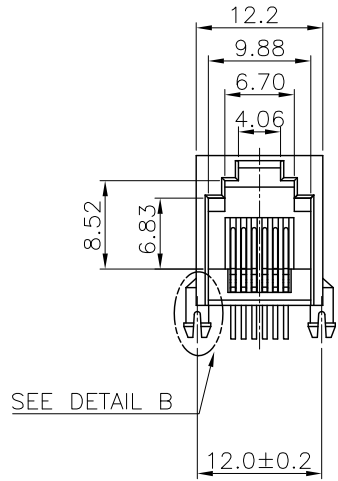


RoHS Compliance

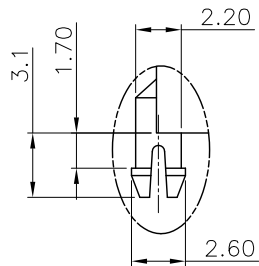
NOTE:

CAVITY CONFIRMS TO FCC RULES AND REGULATIONS PART 68, SUBPART F.

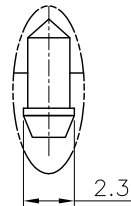
- MATERIAL:
HOUSING: PBT OR PA46 OR PA9T, WITH GLASS FIBER,
UL 94V-0, STANDARD COLOR-GRAY.
CONTACTS: PHOSPHOR BRONZE.
- FINISH:
CONTACTS: $0.381\mu\text{m}$ [$15\mu''$] GOLD PLATED ON ENTIRE CONTACT,
 $1.27\mu\text{m}$ [$50\mu''$] MIN. NICKEL UNDERPLATED
ALL OVER.



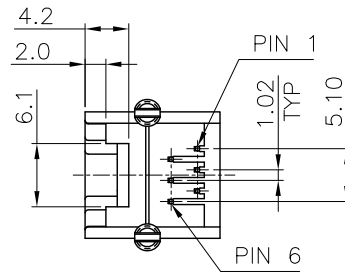
RECOMMENDED PCB LAYOUT
RECOMMENDED PCB THICKNESS: 1.6mm
TOLERANCE: ± 0.05 (TOP VIEW)



DETAIL B
(SCALE 2:1)



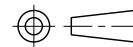
DETAIL C
(SCALE 2:1)



THIS DRAWING IS A CONTROLLED DOCUMENT.
DO NOT SCALE DRAWING.

DIMENSIONS:
MM

TOLERANCES UNLESS
OTHERWISE SPECIFIED:



THIRD ANGLE PROJECTION

0 PLC $\pm -$
1 PLC ± 0.25
2 PLC ± 0.13
3 PLC ± 0.05
ANGLES $\pm -$

MATERIAL

SEE NOTES

FINISH

SEE NOTES

DWN

A.HUANG

DATE

AUG-10-2010

CHK

M.CHANG

DATE

AUG-10-2010

APVD

W.J.YANG

DATE

AUG-11-2010

LTR	DESCRIPTION	DATE	APVD
REVISIONS			

XMULTIPLE

TITLE
6POSITION, MINI LOW PROFILE,
SIDE ENTRY PCB JACK

SIZE
A3

CAUSE CODE
-

DRAWING NO
XMK-9612-6611-T01

WEIGHT
-

GRAMS Ref.

REV
-

SHEET
1