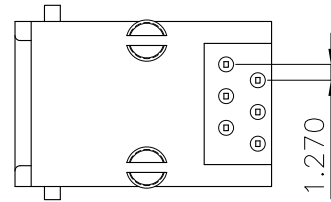
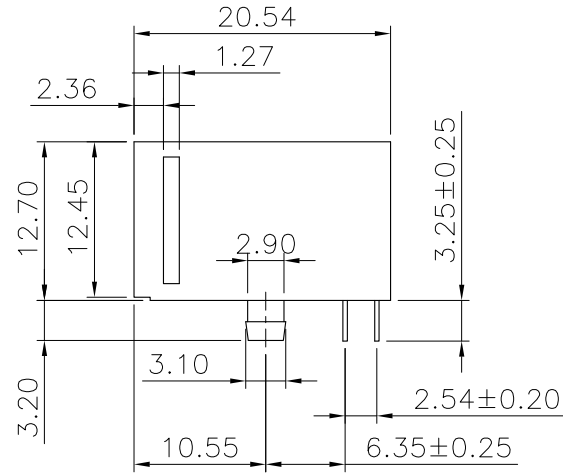
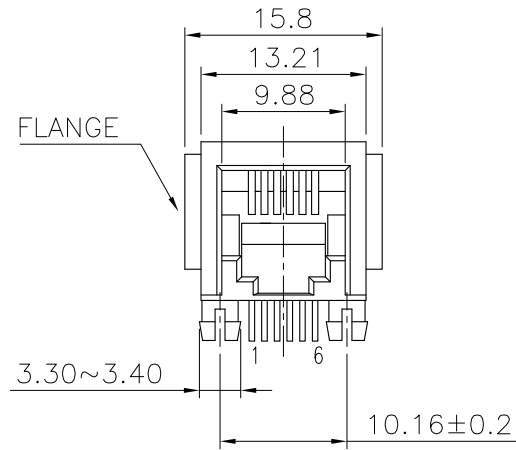


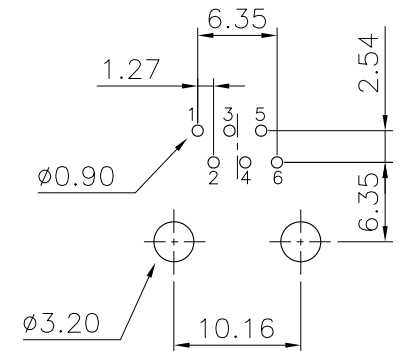
RoHS Compliance



MATERIALS:

- HOUSING—PBT POLYESTER UL94V-0 MIXED GLASS FIBER. STANDARD COLOR—BLACK
- CONTACTS—0.35mm THICK PHOS—BRONZE PLATED WITH 30u" HARD GOLD AND GOLD FLASH IN SOLDER AREA.

CAVITY CONFIRMS TO FCC RULES AND REGULATIONS PART 68,SUBPART F.



PCB LAYOUT Ref.

| | | | | | |
|----------------------|-----------------------------------|---------------------|---|---------------------------|--------------------|
| DO NOT SCALE DRAWING | TOLERANCES UNLESS OTHERWISE NOTED | INCH | MM | DR. <i>CIAN.CI.LUO</i> | DATE JAN-07 '10 |
| | LINEAR | $\frac{MM}{INCH}$ | $00 \pm .01$ $000 \pm .005$ $0000 \pm .002$ | CK'D <i>M.CHANG</i> | JAN-07 '10 |
| | ANGLE | $\pm 0^{\circ} 30'$ | 0.0 ± 0.25 0.00 ± 0.13 0.000 ± 0.05 | APP'D <i>W.J.YANG</i> | JAN-08 '10 |
| | | RADII | $+ 0.40$ $- 0.15$ | | |

| | | |
|---------------------------|---------------------------------------|---------------|
| <h1><i>XMULTIPLE</i></h1> | | |
| TITLE | RJ11, FLAT PIN SIDE ENTRY PCB JACK | |
| SCALE | SIZE | DWG.NO. |
| | | XMK-9637-6612 |