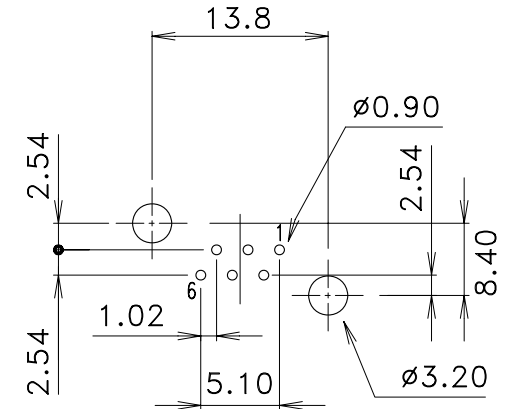


MATERIAL:

- HOUSING-PBT POLYESTER UL94V-0  
MIXED GLASS FIBER.  
STANDARD COLOR-GARY.
- CONTACTS-0.45mm DIAMETER PHOS-BRONZE  
PLATED WITH 6u" HARD GOLD.
- METAL PEG-0.50mm THICK PHOS-BRONZE  
PLATED WITH TIN.

CAVITY CONFIRMS TO FCC RULES AND REGULATIONS  
PART 68,SUBPART F.



PC Board Layout  
Ref.

DO NOT SCALE  
DRAWING

TOLERANCES UNLESS  
OTHERWISE NOTED

INCH

MM

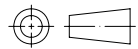
DR.

*M.L.HUANG*

DATE

FEB-15 '05

*XMULTIPLE*



THIRD ANGLE PROJECTION

LINEAR  $\frac{\text{MM}}{\text{INCH}}$

00 ± .01  
000 ± .005  
0000 ± .002

0.0 ± 0.25  
0.00 ± 0.15  
0.000 ± 0.05

CK'D

*M.CHANG*

FEB-15 '05

TITLE

RJ11, TOP ENTRY

PCB GANDED JACK FROM 2 PORTS THRU 8 PORTS

MM  
INCH

ANGLE ± 0° 30'

RADII

+ 0.40  
- 0.15

APP'D

*W.J.YANG*

FEB-16 '05

SCALE

SIZE

DWG.NO.

XMK-9660-6604-1-B