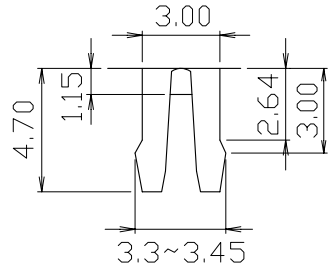


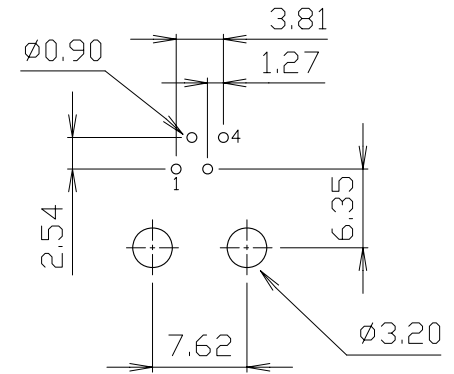
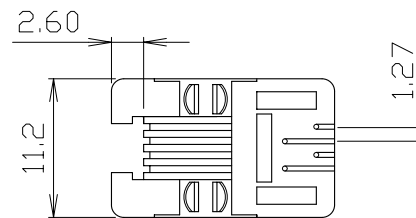
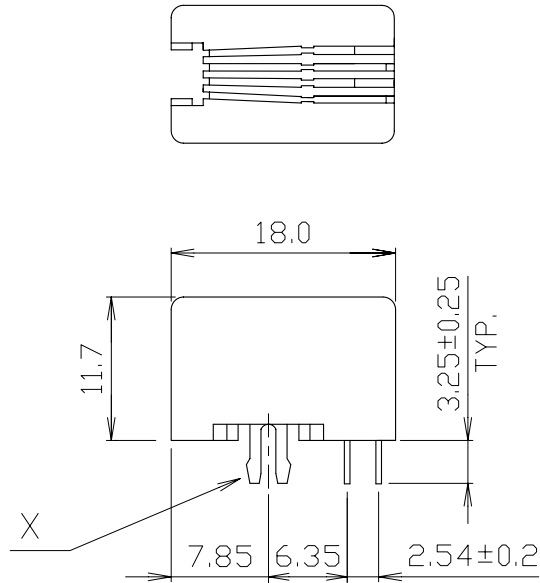
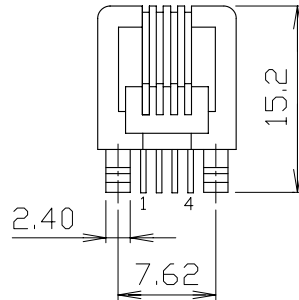
MATERIAL:

- HOUSING-PBT POLYESTER UL94V-0  
MIXED GLASS FIBER.  
STANDARD COLOR-BLACK
- CONTACTS-0.45mm DIAMETER PHOS-BRONZE  
PLATED WITH 30u" HARD GOLD.

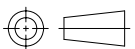
CAVITY CONFIRMS TO FCC RULES AND REGULATIONS  
PART 68,SUBPART F.



**DETAIL X**



PC Board Layout  
Ref.

DO NOT SCALE DRAWING	TOLERANCES UNLESS OTHERWISE NOTED	INCH	MM	DR. <i>CIAN.CI.LUO</i>	DATE APR-29 '10	<b><i>XMULTIPLE</i></b>	
 THIRD ANGLE PROJECTION	LINEAR $\frac{\text{MM}}{\text{INCH}}$	$00 \pm .01$ $000 \pm .005$ $0000 \pm .002$	$0.0 \pm 0.25$ $0.00 \pm 0.13$ $0.000 \pm 0.05$	CK'D <i>M.CHANG</i>	APR-29 '10		TITLE 4POSITION, SIDE ENTRY, VERY LOW PROFILE, PCB JACK
$\frac{\text{MM}}{\text{INCH}}$	ANGLE $\pm 0^{\circ} 30'$	RADII	$+ 0.40$ $- 0.15$	APP'D <i>W.J.YANG</i>	APR-30 '10		SCALE SIZE DWG.NO. XMK-9694-4412-SHR