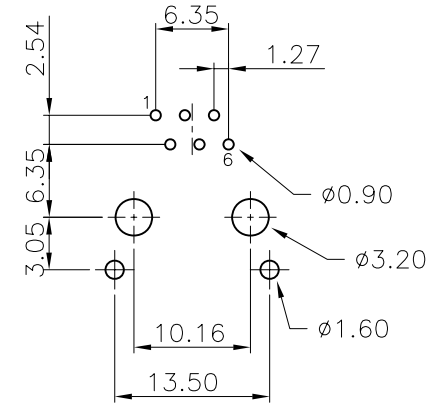
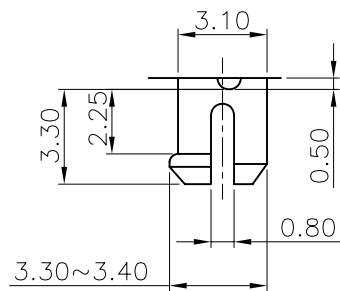
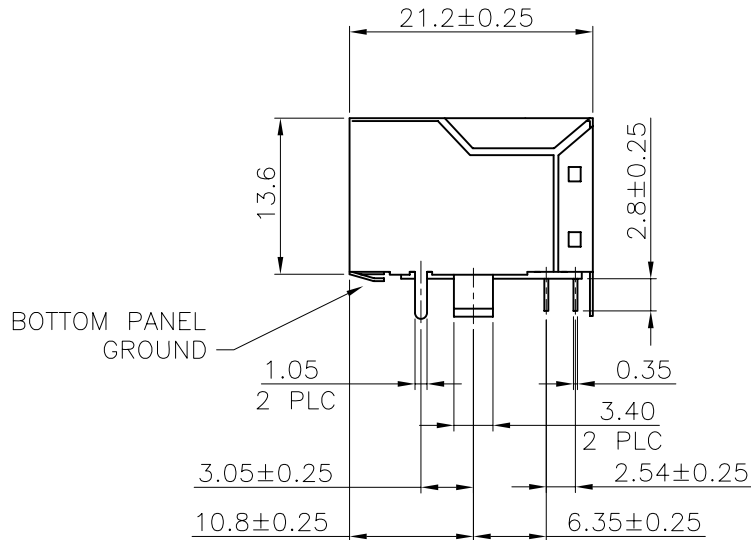
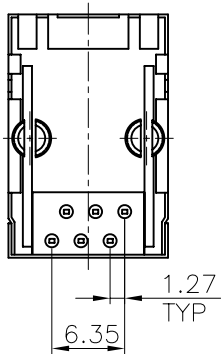
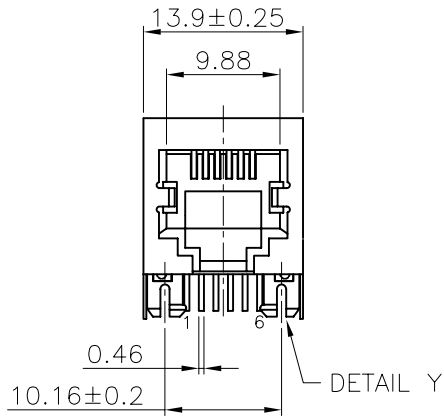


# RoHS Compliance

MATERIAL:  
 • HOUSING—PBT POLYESTER UL94V-0  
 MIXED GLASS FIBER.  
 STANDARD COLOR—BLACK  
 • CONTACTS—0.35mm THICK PHOS—BRONZE  
 PLATED WITH 30u" HARD GOLD AND  
 GOLD FLASH ON SOLDER AREA.  
 • SHIELD—0.25mm THICK COPPER ALLOY,  
 PLATED WITH NICKEL.  
 CAVITY CONFIRMS TO FCC RULES AND REGULATIONS  
 PART 68,SUBPART F.



PC Board Layout Ref.

DETAIL Y

***XMULTIPLE***

DO NOT SCALE DRAWING	TOLERANCES UNLESS OTHERWISE NOTED	INCH	MM	DR. CIAN.CI.LUO	DATE JUL-21 '08	TITLE 6POSITION SHIELDED S-P.G. FLAT PIN SIDE ENTRY PCB JACK
THIRD ANGLE PROJECTION	LINEAR	$00 \pm .01$ $000 \pm .005$ $0000 \pm .002$	$0.0 \pm 0.25$ $0.00 \pm 0.13$ $0.000 \pm 0.05$	CK'D M.CHANG	JUL-21 '08	
MM INCH	ANGLE $\pm 0^\circ 30'$	RADII	$+ 0.40$ $- 0.15$	APP'D W.J.YANG	JUL-22 '08	SCALE SIZE DWG.NO. XMK-9742-6612-100E-B