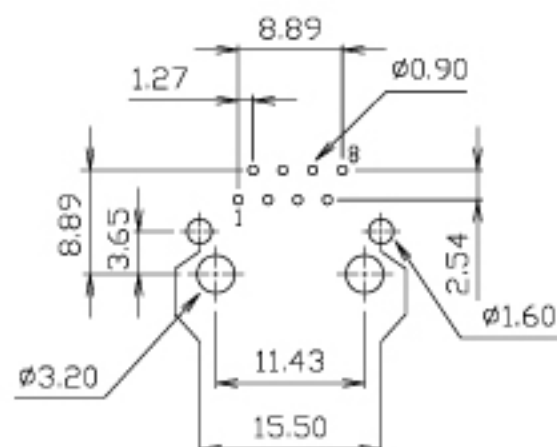
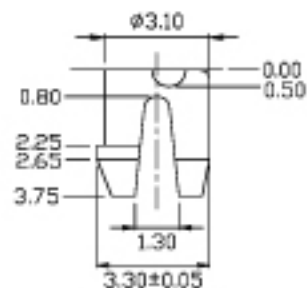
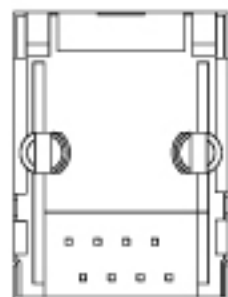
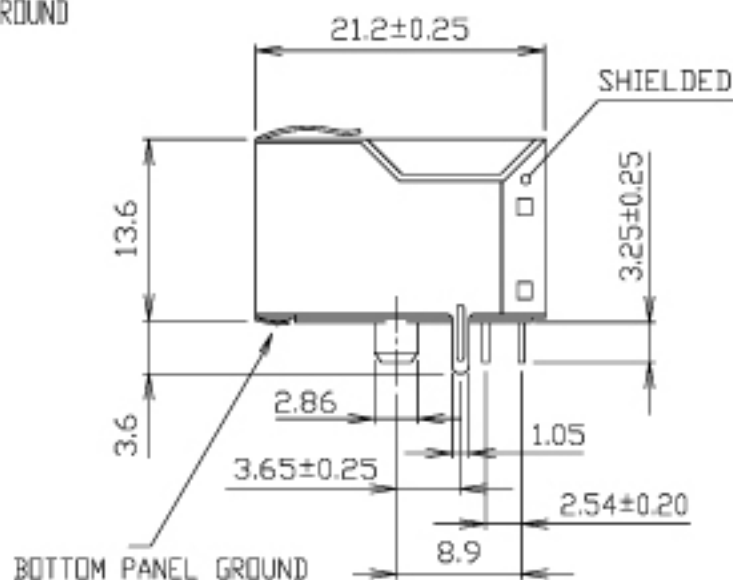
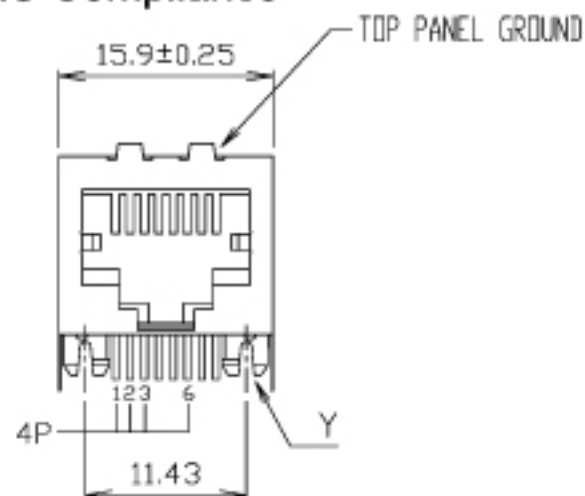


# RoHS Compliance



MATERIAL:

- HOUSING-PBT POLYESTER UL94V-0 MIXED GLASS FIBER, STANDARD COLOR-BLACK
- CONTACTS-0.35mm THICK PHOS-BRONZE PLATED WITH 50µ HARD GOLD AND GOLD FLASH IN SOLDER AREA.
- SHIELD-0.25mm THICK COPPER ALLOY, PLATED WITH NICKEL.

CAVITY CONFORMS TO FCC RULES AND REGULATIONS PART 68,SUBPART F.

DO NOT SCALE DRAWING

TOLERANCES UNLESS OTHERWISE NOTED

INCH

MM

DR.  
CIAN.CI.LUO

DATE  
MAR-29 '10

***XMULTIPLE***



THIRD ANGLE PROJECTION

LINEAR  $\frac{\text{MM}}{\text{INCH}}$

00 ± .01  
000 ± .005  
0000 ± .002

0.0 ± 0.25  
0.00 ± 0.13  
0.000 ± 0.05

CK'D  
M.CHANG

MAR-29 '10

TITLE  
8POSITION SHIELDED S-P.G.  
FLAT PIN SIDE ENTRY PCB JACK

MM  
INCH

ANGLE ± 0° 30'

RADII

+ 0.40  
- 0.15

APP'D  
W.J.YANG

MAR-29 '10

SCALE SIZE DWG.NO.  
XMK-9742-8813-110D-B-TEJ