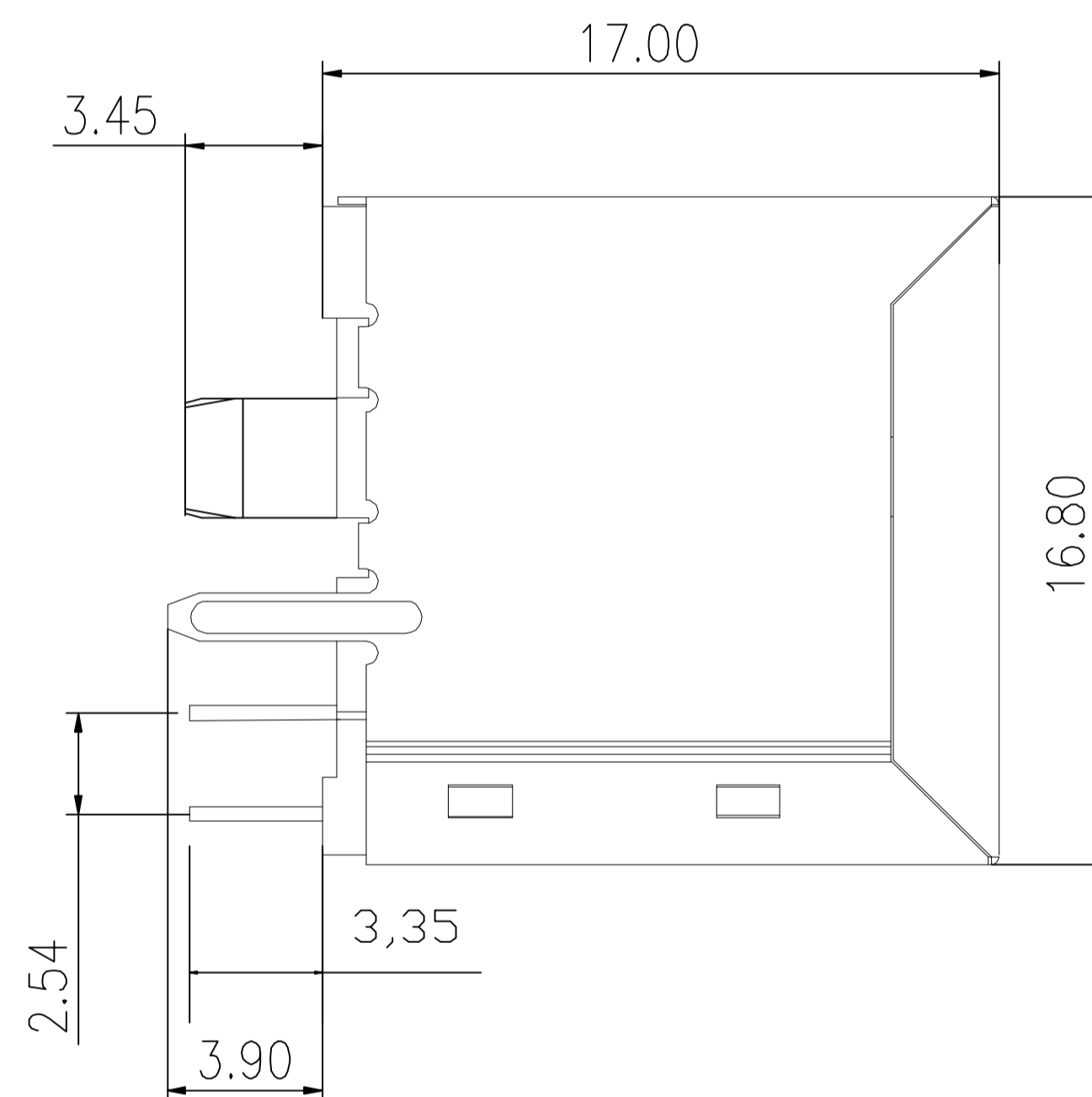
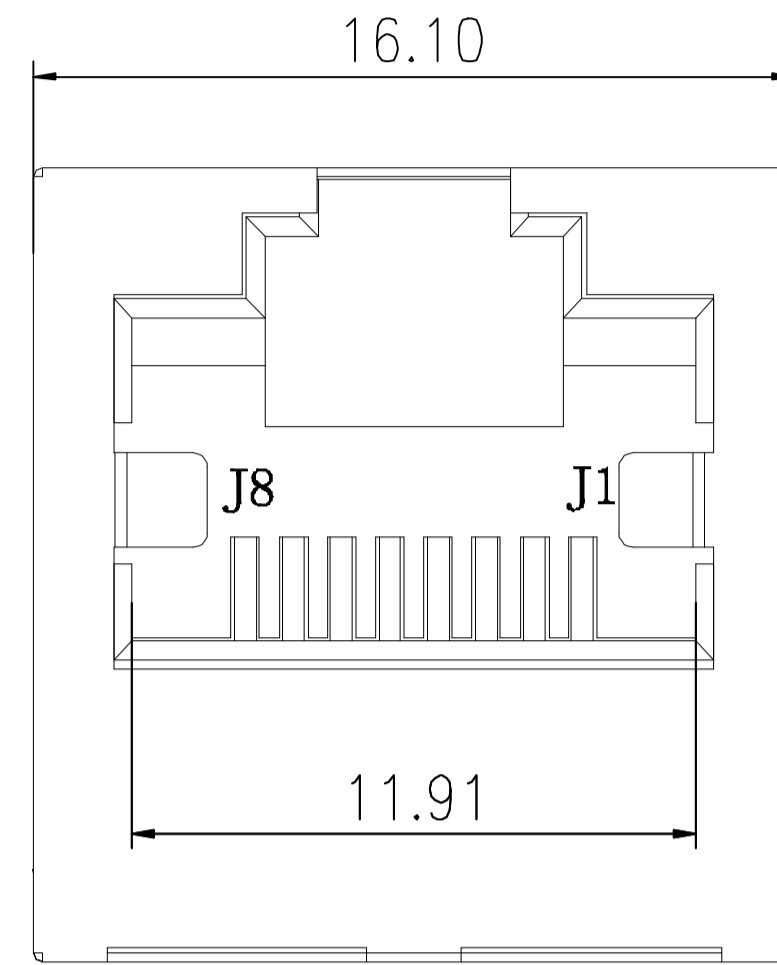
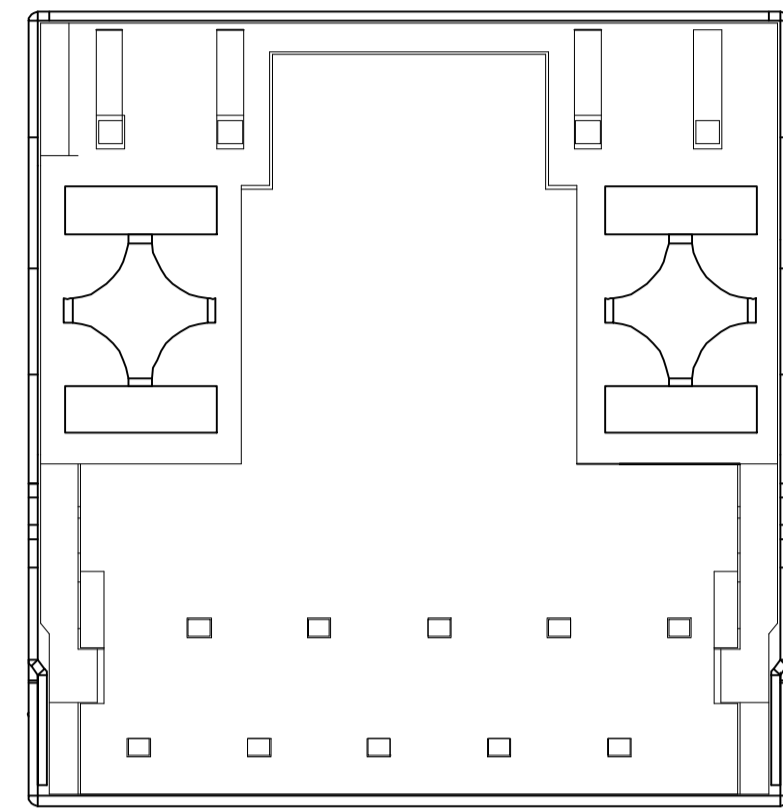
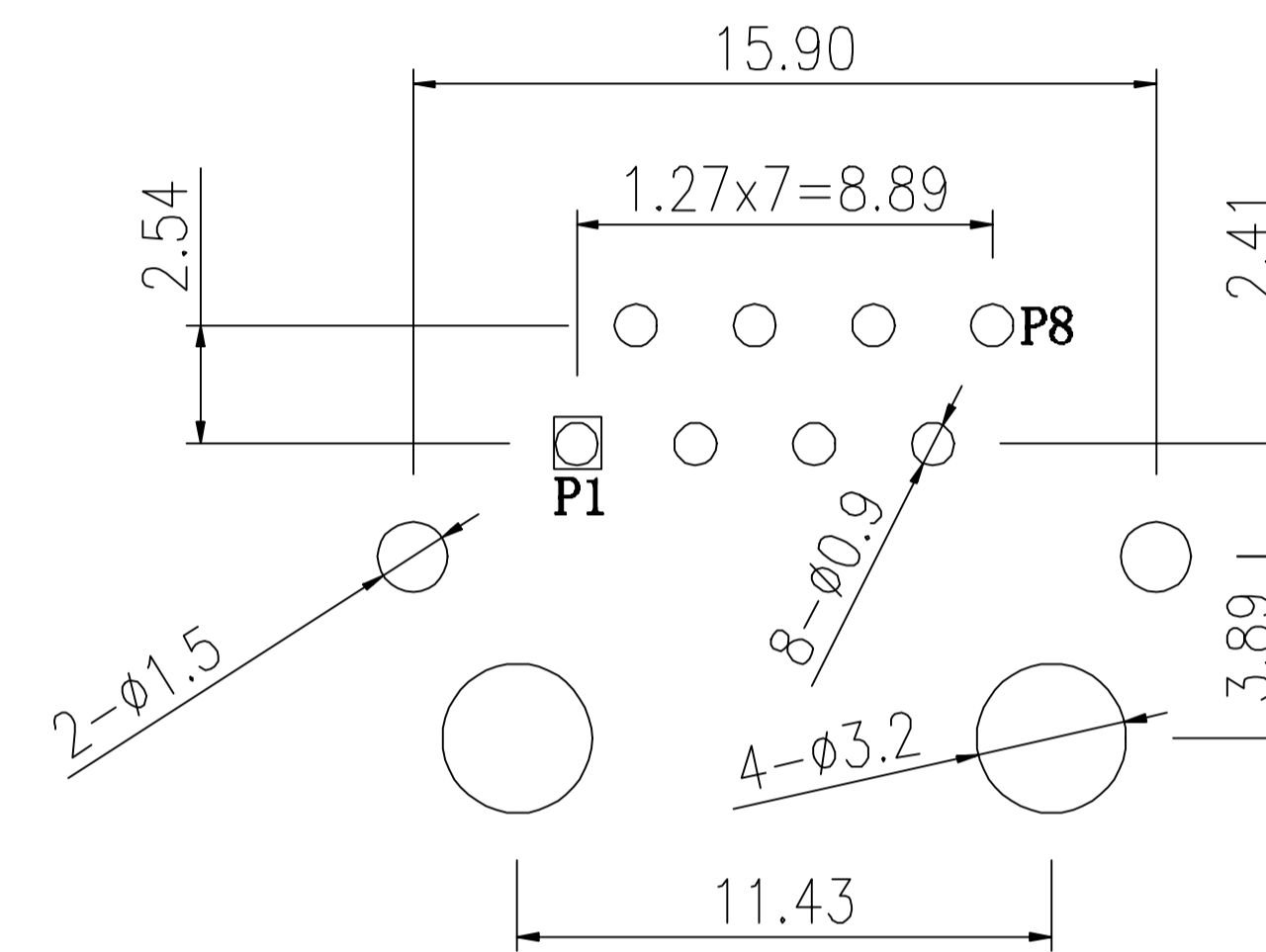


1*1 Port,10/100Base T-Magnetics module

1. Mechanicals:



Part Number:
XMV-1104A2002



P.C.B RECOMMENDED HOLE LAYOUT SEEN FROM COMPONENT SIDE
ALL CENTERLINE DIMENSIONS ARE BASIC

1.1. Connector Material:

Housing: Thermoplastic UL94 V-0

Contact/Shield: Cooper alloy

Shield Plating: Nickel

Contact Plating: Selective gold 6U" Min

1.2. Tolerances comply with F.C.C dimension requirements

1.3. Durability: 800 Mating Min

RoHS Compliant

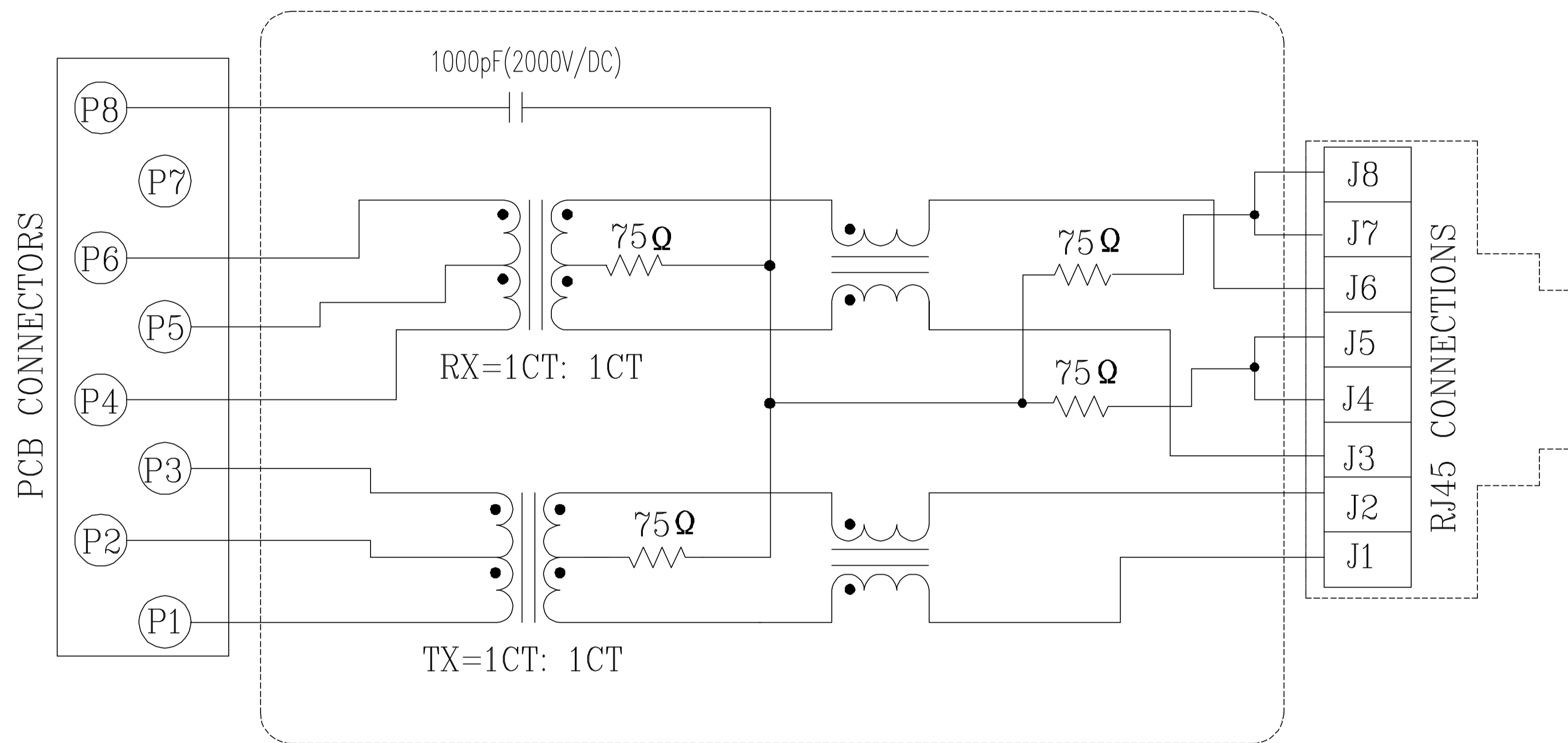
		CONNECTING THE INFORMATION AGE	
Xmultiple Technologies,Inc.1060 Los Angeles Avenue Simi Valley. CA 93065		G/NO:	
THIS DRAWING IS A CONTROLLED DOCUMENT.		DWG NO:	
TITLE: RJ45 Connectors, W/O LED,Shielded/Thru Hole/10/100M,6U		DRAWING: MIN DING	
PART NO: XMV-1104A2002		CHKD: Michael Lin	
	UNIT mm[inch]	SHEET 1 of 2	REV 01
		DATE: 2012/9/03	

1*1 Port,10/100Base T-Magnetics module

Part Number:

XMV-1104A2002

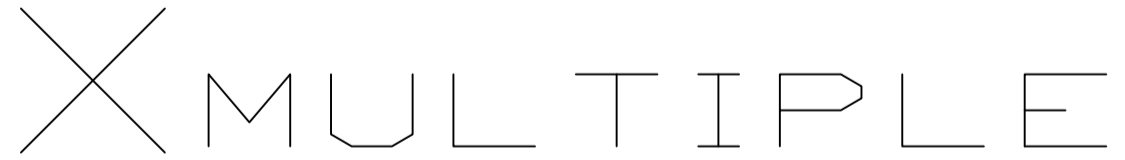
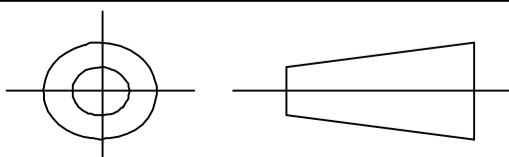
4. Schematics:



2. Electrical Specifications: @25°C

- 2.1. Isolation Voltage: 1500V/AC (Input to Output)
- 2.2. OCL: 350uH Minimum @ 100KHz 100mV 8mA DC
- 2.3. Insertion Loss: -1.2dB Maximum @ 100KHz-100MHz
- 2.4. Return Loss: -18dB Minimum @ MHz-30MHz
 -14dB Minimum @ 30MHz-60MHz
 -12dB Minimum @ 60MHz-80MHz
- 2.5. Common Mode Rejection: -30dB Minimum @ 1MHz-100MHz
- 2.6. Cross Talk: -30dB Minimum @ 1MHz-100MHz
- 3. Operating and Storage Temperature:
 - 3.1. Operating Temperature: -40°C to +85°C
 - 3.2. Storage Temperature: -40°C to +85°C

RoHS Compliant

				CONNECTING THE INFORMATION AGE	
Xmultiple Technologies, Inc. 1060 Los Angeles Avenue Simi Valley, CA 93065				G/NO:	
THIS DRAWING IS A CONTROLLED DOCUMENT.				DWG NO:	
TITLE: RJ45 Connectors, W/O LED, Shielded/Thru Hole/10/100Mbps, 6U				DRAWING: MIN DING	
PART NO: XMV-1104A2002				CHKD: Michael Lin	
		UNIT mm[inch]	SHEET 2 of 2	REV 01	DATE: 2012/9/03