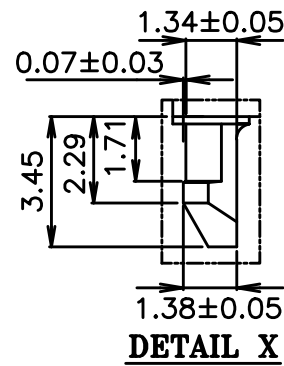
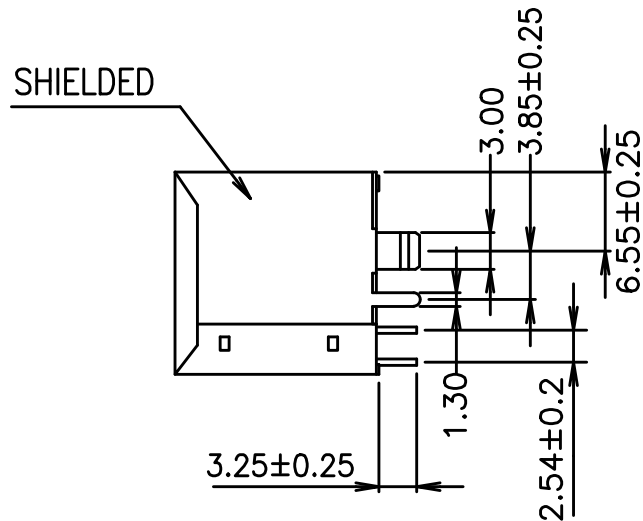
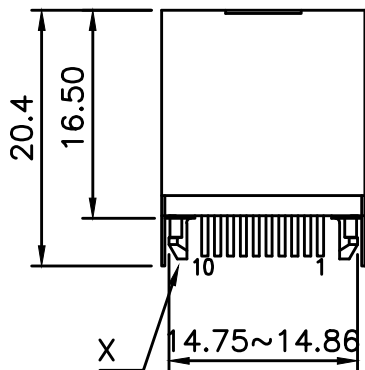
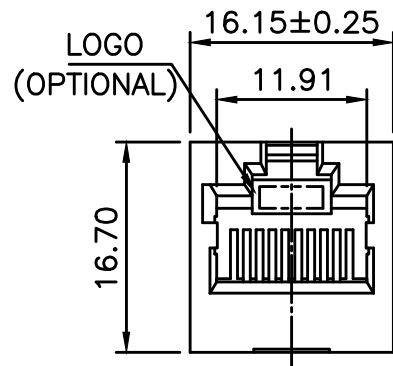


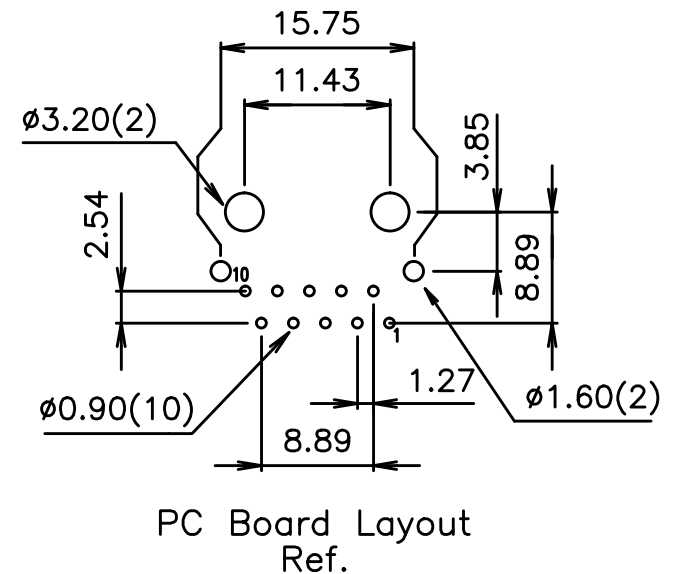
RoHS Compliance



MATERIAL:

- HOUSING—PBT POLYESTER UL-94V-0 MIXED GLASS FIBER. STANDARD COLOR—BLACK
- CONTACTS—0.35mm THICK PHOS-BRONZE PLATED WITH 50U" HARD GOLD AND GOLD FLACH ON SOLDER AREA.
- SHIELD—0.25mm THICK COPPER ALLOY, PLATED WITH NICKEL.

CAVITY CONFIRMS TO FCC RULES AND REGULATIONS PART 68, SUBPART F.



DO NOT SCALE DRAWING	TOLERANCES UNLESS OTHERWISE NOTED	INCH	MM	DR. <i>M.L.HUANG</i>	DATE AUG-30 '13	<i>XMULTIPLE</i>				
THIRD ANGLE PROJECTION	LINEAR MM INCH	00 ± .01 000 ± .005 0000 ± .002	0.0 ± 0.25 0.00 ± 0.13 0.000 ± 0.05	CK'D <i>M.CHANG</i>	AUG-30 '13	TITLE	8POSITION FLAT PIN SHIELDED TOP ENTRY PCB JACK			
MM INCH	ANGLE ± 0° 30'	RADII	± 0.40 - 0.15	APP'D <i>W.J.YANG</i>	AUG-31 '13	SCALE SIZE DWG.NO.	REV.	SHEET		
						XMV-9646-101013-SD-A	A	1		