

RoHS Compliance

NOTE:

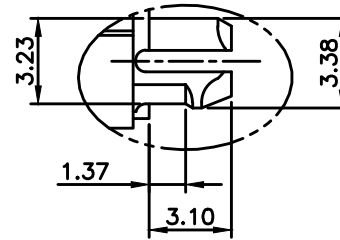
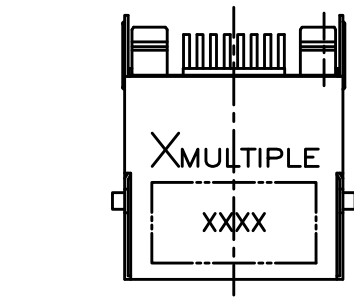
CAVITY CONFIRMS TO FCC RULES AND REGULATIONS PART 68, SUBPART F.

1. MATERIAL:

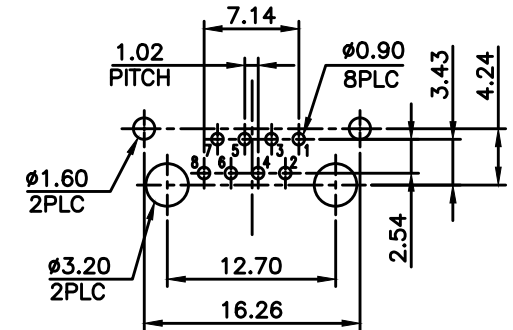
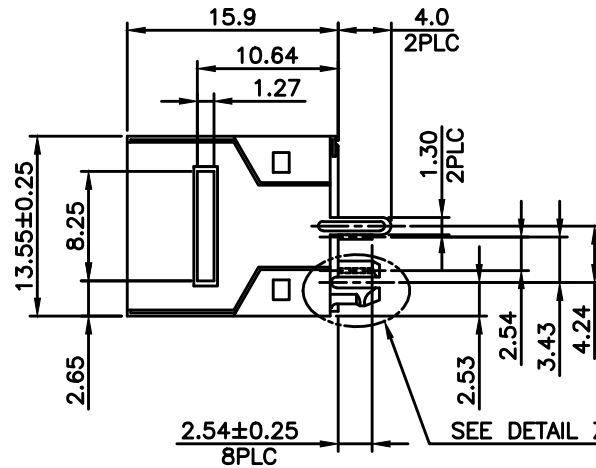
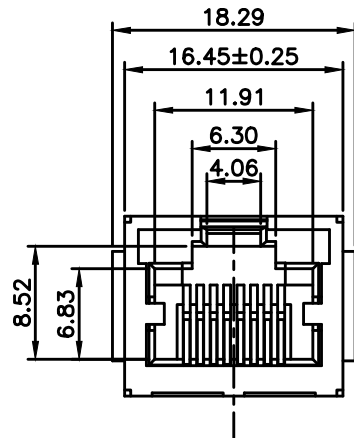
HOUSING: PA46, WITH GLASS FIBER,
UL 94V-0, STANDARD COLOR-BLACK.
CONTACTS: PHOSPHOR BRONZE.
SHELL: BRASS.

2. FINISH:

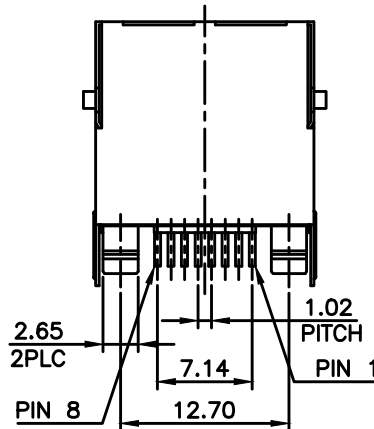
CONTACTS: $0.762\mu\text{m}$ [$30\mu'$] GOLD PLATED ON CONTACT AREA,
 $2.54\mu\text{m}$ [$100\mu'$] TIN PLATED ON SOLDER TAIL,
WITH ENTIRE CONTACT UNDERPLATED
 $1.27\mu\text{m}$ [$50\mu'$] MIN. NICKEL
SHELL: $0.508\mu\text{m}$ [$20\mu'$] MIN. NICKEL PLATED.



DETAIL Z
SCALE 2:1



RECOMMENDED PCB LAYOUT
RECOMMENDED PCB THICKNESS: 1.6mm
TOLERANCE: ±0.05 (TOP VIEW)



THIS DRAWING IS A CONTROLLED DOCUMENT.
DO NOT SCALE DRAWING.

DIMENSIONS: MM
TOLERANCES UNLESS OTHERWISE SPECIFIED:

0 PLC	± -
1 PLC	±0.25
2 PLC	±0.13
3 PLC	±0.05
ANGLES	± -

THIRD ANGLE PROJECTION
MATERIAL: SEE NOTES
FINISH: SEE NOTES

XMULTIPLE

TITLE
RJ45, VERTICAL, FLAT PIN,
WITH SHELL, WITHOUT LED

LTR	DESCRIPTION	DATE	APVD
REVISIONS			

DWN	A.HUANG	DATE	SEP-20-2011
CHK	M.CHANG	DATE	SEP-20-2011
APVD	W.J.YANG	DATE	SEP-21-2011

SIZE	A3	CAUSE CODE	-	DRAWING NO	XMV-9687-8812-S0-E
WEIGHT	-	GRAMS Ref.		REV	1
				SHEET	1