

A

B

C

D

## PART DESCRIPTION: SMT COMMON MODE CHOKES

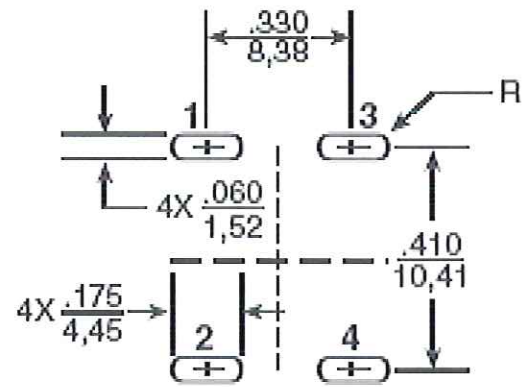
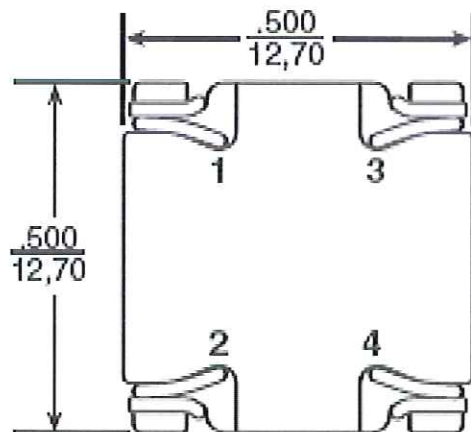
Xmultiple Technologies

PART NO:

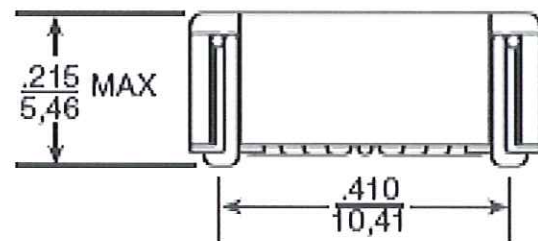
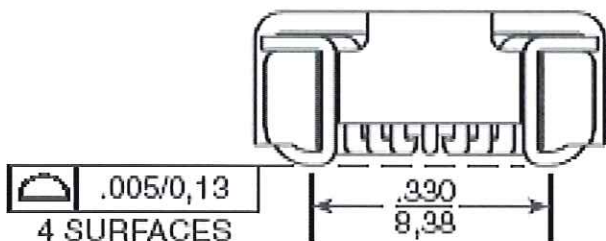
XPW-TR8YC52-X503

REVISION:

REVISION:



Suggested Pad Layout



ATTENTION: All the information shown on this specification is strictly confidential. In case of distribution without authorization from the manufacturer, penalties should be made.

CUSTOMER APPROVED BY:

QC CHECKED  
BY: CHEN 12/14/11APPRD BY:  
TONY 12/14/11CHECKED BY:  
VICKY 12/14/11DESIGNED BY:  
RITA 12/14/11DRAWN BY:  
SHERRY 12/14/11

Sheet: 1 of 2

A

B

C

D

A

B

C

D

## PART DESCRIPTION: SMT COMMON MODE CHOKES

Xmultiple Technologies

PART NO:

XPW-TR8YC52-X503

REVISION:

REVISION:

1

1

- \* Solutions based on impedance, size and current
- \* Designed for DC/DC converters
- \* Wide variety of inductor sizes and current ratings available
- \* Dielectric strength: 1000Vrms

## ELECTRICAL SPECIFICATIONS:

INDUCTANCE: 1170  $\mu$  H  $\pm$  35% @10KHz, 1Vrms .

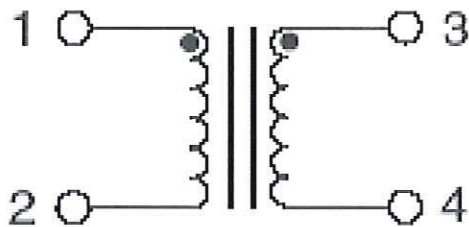
TURNS RATIO: TX=1CT: 1:1@10KHz, 1Vrms.

D.C. RESISTANCE (@20°C): 0.2ohms max

2

2

## Schematic:



3

3

ATTENTION: All the information shown on this specification is strictly confidential. In case of distribution without authorization from the manufacturer, penalties should be made.

4

4

CUSTOMER APPROVED BY:

QC CHECKED  
BY: CHEN 12/14/11APPRD BY:  
TONY 12/14/11CHECKED BY:  
VICKY 12/14/11DESIGNED BY:  
RITA 12/14/11DRAWN BY:  
SHERRY 12/14/11

Sheet: 2 of 2

A

B

C

D