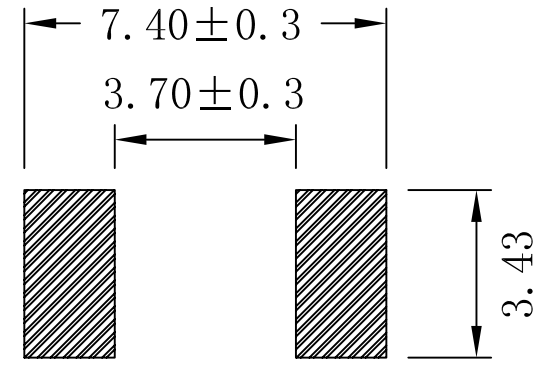
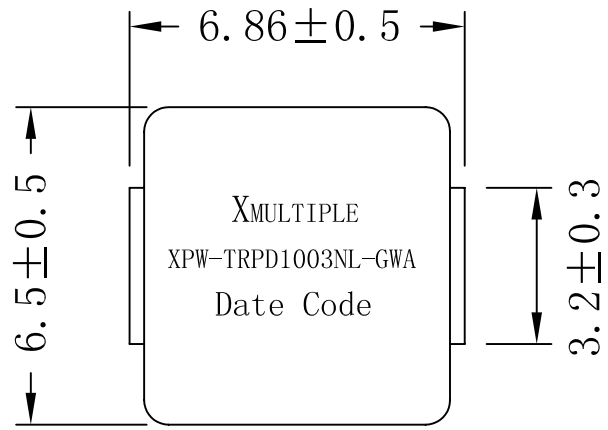
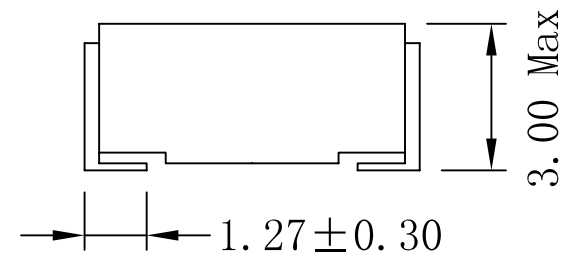


# Mechanical :

REV.	ECN NO.	DESCRIPTION	DATE	APPD
A	REL		2010/08/06	



SUGGESTED PAD LAYOUT



NOTES :

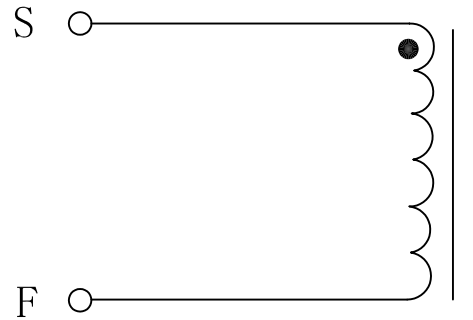
- ASSEMBLY MUST BE RoHS COMPLIANT.



X:X	$\pm 0.20$	APPD:	X MULTIPLE	
X:XX	$\pm 0.10$	CHKD:		
X:XXX	$\pm 0.05$	DR: C. H. Y		
ANGLES	$\pm 1^\circ$	UNIT: mm	Title: INDUCTOR	
			PART NO. : XPW-TRPD1003NL-GWA	
SCALE: 2/1		SHEET: 1/2	REV: A	DWG NO. : TRC10080606

# Schematic:

REV.	ECN NO.	DESCRIPTION	DATE	APPD
A	REL		2010/08/06	



## Electrical Specifications:

1. INDUCTANCE:  $4.7\mu\text{H} \pm 20\%$  @1KHz, 0.25V;
2. DC RESISTANCE:  $40\text{m}\Omega$  MAX @25°C
3.  $I_{\text{DC}}$ : 5.5A MAX
4. OPERATING TEMPERATURE:  $-55^{\circ}\text{C} \sim +125^{\circ}\text{C}$ .



X:X	$\pm 0.20$	APPD:	<b>X</b> MULTIPLE
X:XX	$\pm 0.10$	CHKD:	
X:XXX	$\pm 0.05$	DR: C. H. Y	
Title: INDUCTOR			
ANGLES	$\pm 1^{\circ}$	UNIT: mm	PART NO.: XPW-TRPD1003NL-GWA
	SCALE: 2/1	SHEET: 2/2	REV: A
		DWG NO.: TRC10080606	