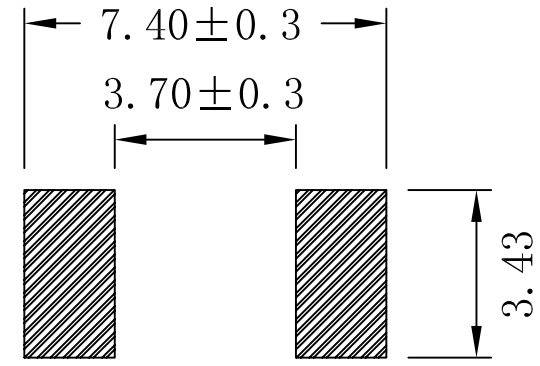
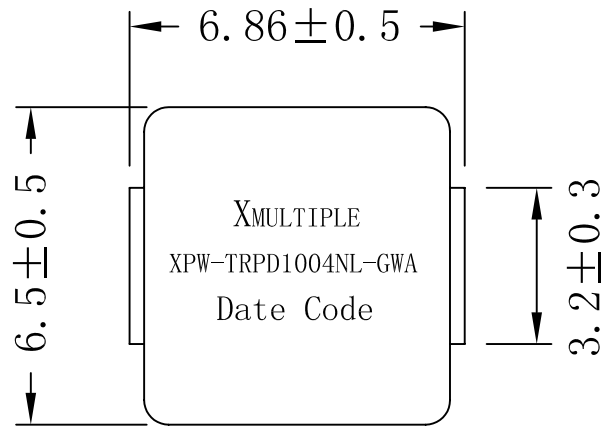
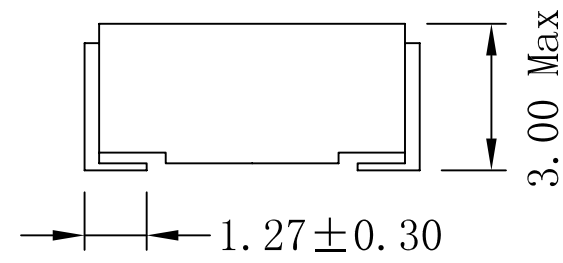


Mechanical :

REV.	ECN NO.	DESCRIPTION	DATE	APPD
A	REL		2010/08/06	



SUGGESTED PAD LAYOUT



NOTES:

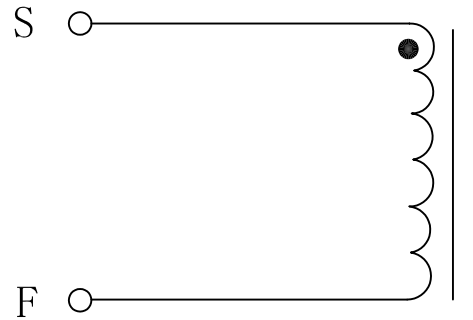
- ASSEMBLY MUST BE RoHS COMPLIANT.



X:X	±0.20	APPD:	X MULTIPLE
X:XX	±0.10	CHKD:	
X:XXX	±0.05	DR: C. H. Y	
ANGLES	±1°	UNIT: mm	Part No.: XPW-TRPD1004NL-GWA
	SCALE: 2/1	SHEET: 1/2	REV: A
			DWG NO.: TRC10080607

Schematic:

REV.	ECN NO.	DESCRIPTION	DATE	APPD
A	REL		2010/08/06	



Electrical Specifications:

1. INDUCTANCE: $10\mu\text{H} \pm 20\%$ @1KHz, 0.25V;
2. DC RESISTANCE: $105\text{m}\Omega$ MAX @25°C
3. I_{DC} : 3A MAX
4. OPERATING TEMPERATURE: $-55^\circ\text{C} \sim +125^\circ\text{C}$.



X:X	± 0.20	APPD:	X MULTIPLE
X:XX	± 0.10	CHKD:	
X:XXX	± 0.05	DR: C. H. Y	Title: INDUCTOR
ANGLES	$\pm 1^\circ$	UNIT: mm	PART NO.: XPW-TRPD1004NL-GWA
	SCALE: 2/1	SHEET: 2/2	REV: A DWG NO.: TRC10080607