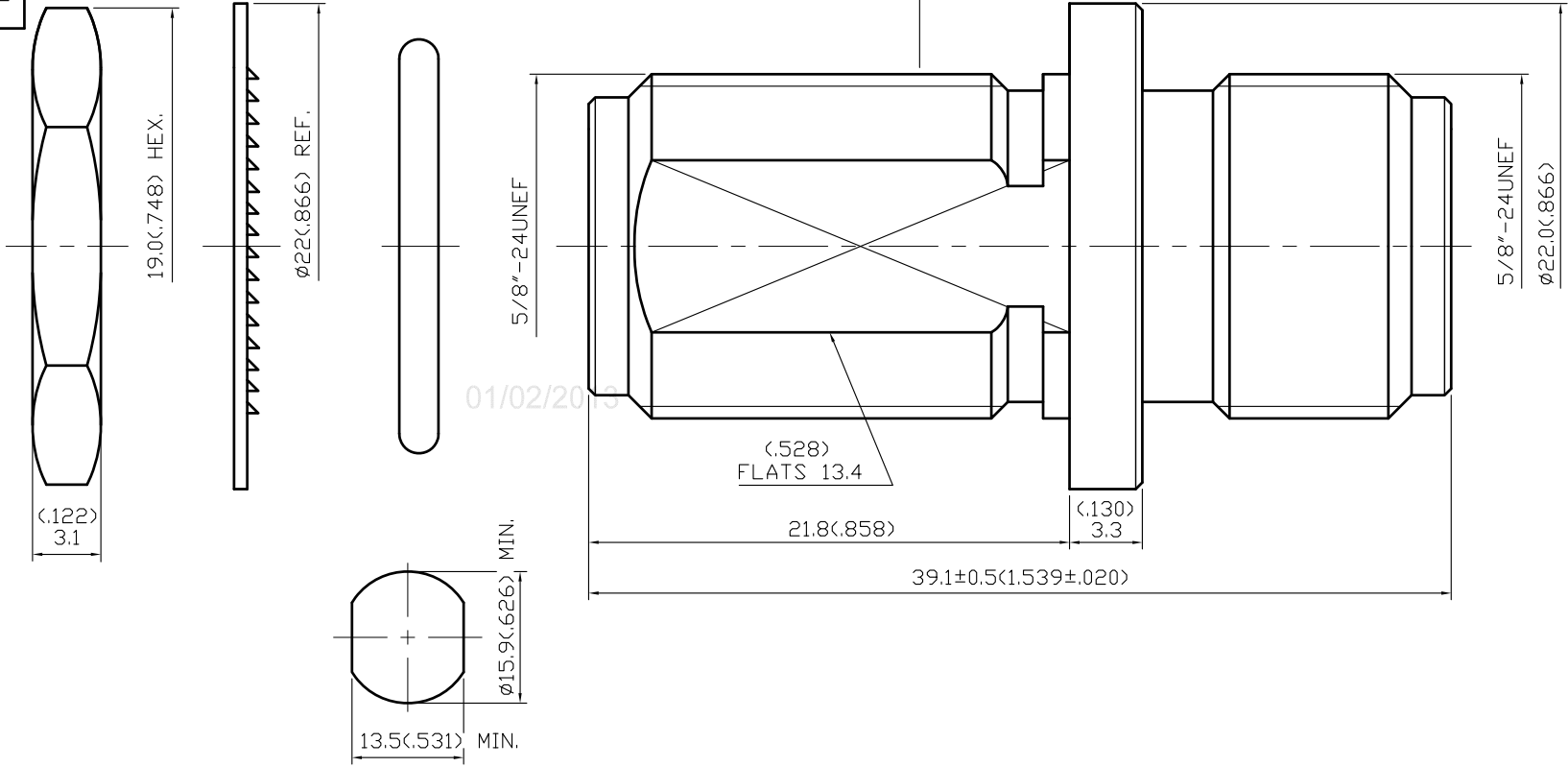


NO	DESCRIPTION	DATE
1	SILICONE → RUBBER	11.13.03'
2	ADD REMARK BACKGROUND FORMAT UPDATED	08.13.10'
3	ADD 6.8 MAX.PANEL ADD MOUNTING HOLE ADD WORKING VOLTAGE ADD PROOF VOLTAGE ADD 5.2 HERMETICALLY SEALED	05.24.12'
4	ADD VSWR ; MODIFY 5.2	08.08.12'
5	DEL PROOF VOLTAGE; INSULATION WORKING VOLTAGE → VOLTAGE RATING	12.28.12'



1.0 ELECTRICAL

- 1.1 FREQUENCY RANGE: DC-11 GHz
- 1.2 NOMINAL IMPEDANCE: 50 OHM
- 1.3 VOLTAGE RATING: 500 VOLTS MAX. 3 5
- 1.4 VSWR: 1.4 MAX. @3 GHz 4

2.0 MATERIALS

- 2.1 BODIES: BRASS PER JIS-C3604
- 2.2 CENTER CONTACT: BRASS PER JIS-C3604

3.0 FINISHES AND OTHERS

- 3.1 SEE BELOW TABLE FOR DETAILS.

4.0 MECHANICAL

- 4.1 INTERFACE IN ACCORDANCE WITH: MIL-STD-348A

5.0 ENVIRONMENTAL

- 5.1 OPERATING TEMPERATURE RANGE: -20° C TO +80° C
- 5.2 CONNECTOR MUST WITHSTAND WATERPROOF LEAK TEST PRESSURE 7kg/cm² MIN. 3 4

NO	DESCRIPTION	MATERIAL	Q'TY	FINISH
7	NUT	BRASS	1	NICKEL
6	WASHER	BRASS	1	NICKEL
5	O-RING	RUBBER	1	BLACK
4	HERMETICALLY SEALED	—	1	NONE
3	BODY	BRASS	1	NICKEL 100μ" MIN.
2	SLEEVE	BRASS	1	NICKEL 100μ" MIN.
1	CENTER CONTACT	BRASS	2	GOLD 30μ" MIN.

3 MOUNTING HOLE
SCALE 1.5:1

APPROVED

 by _____ DATE: _____

DESCRIPTION		HERMETICALLY SEALED N STRAIGHT BULKHEAD JACK- JACK ADAPTER						
製圖	DRAWN	TOLERANCE	品名	XRF-11-23-1 x.G.N	DATE	版次	REV.	
	<i>Kristina</i>							±0.2
檢圖	CHECK	UNIT	單位	DWG.NO.	SCALE	11-0249		
	<i>Ivan</i>							±0.1
認定	APPROVAL	±0.05	比例	Xmultiple Technologies, Inc.				
<i>Angela</i>	ANGLE	±5°	4:1					