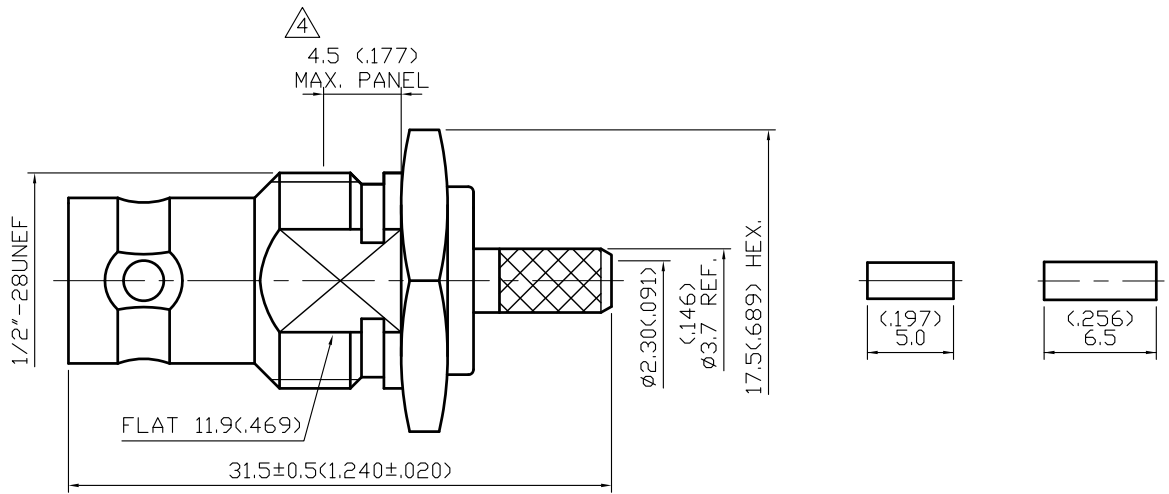
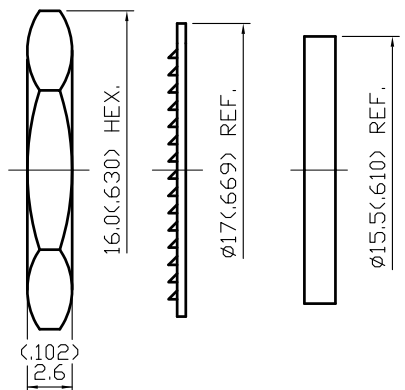


NO	DESCRIPTION	DATE
①	SILICONE → RUBBER	11.13.03'
②	BACKGROUND FORMAT UPDATED	02.25.09'
③	DEL SOLDER/ ADD MOUNTING HOLE	02.29.12'
④	ADD TABLE; 5.2; 4.5 MAX. PANEL -65°C TO +165°C → -20°C TO +80°C RED → NONE	07.31.12'
⑤	DEL PROOF VOLTAGE WORKING VOLTAGE → VOLTAGE RATING	12.28.12'



1.0 ELECTRICAL

- 1.1 FREQUENCY RANGE: DC-4 GHz
- 1.2 NOMINAL IMPEDANCE: 50 OHM
- 1.3 VOLTAGE RATING: 500 VOLTS MAX. ⑤

2.0 MATERIALS

- 2.1 BODIES: BRASS PER JIS-C3604
- 2.2 CENTER CONTACT: BRASS PER JIS-C3604
- 2.3 INSULATION: TEFLON PER ASTM D1457 AND ASTM D1710
- 2.4 CRIMP FERRULE: BRASS PER JIS-C2700

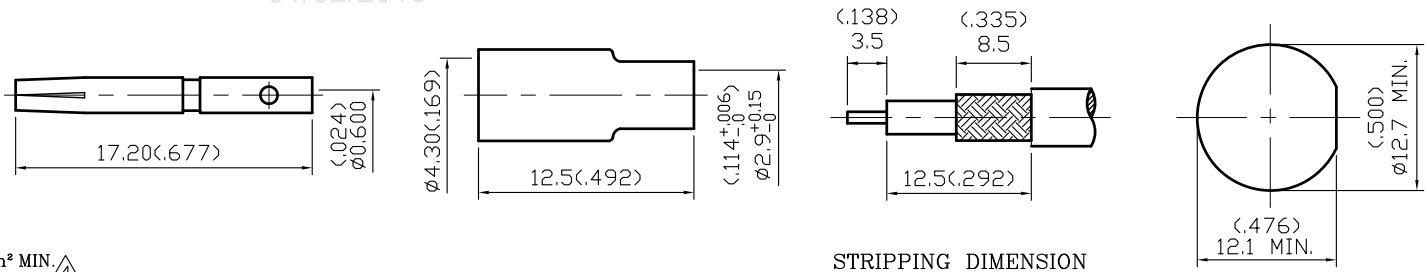
3.0 FINISHES AND OTHERS

3.1 SEE BELOW TABLE FOR DETAILS.

4.0 MECHANICAL

- 4.1 INTERFACE IN ACCORDANCE WITH: MIL-STD-348A
- 4.2 FOR USE WITH RG174U OR SIMILAR STYLE CABLE
- 4.3 CABLE ATTACHMENT: OUTER: CRIMP, INNER: SOLDER/CRIMP
- 4.4 CRIMP SIZE REQUIRED: CONTACT: 1.8 (0.71) HEX. CRIMP TOOL ③
FERRULE: 3.5 (1.38) HEX. CRIMP TOOL ③
4.6 (1.81) HEX. CRIMP TOOL

01/02/2013



5.0 ENVIRONMENTAL

- 5.1 OPERATING TEMPERATURE RANGE: -20° C TO +80°C ④
- 5.2 CONNECTOR MUST WITHSTAND WATERPROOF LEAK TEST PRESSURE 3kg/cm² MIN. ④

13	CRIMP FERRULE	BRASS	1	NICKEL
12	CENTER CONTACT	BRASS	1	GOLD
11	SLEEVE	BRASS	1	NICKEL 100 μ" MIN.
10	INSULATION III	TEFLON	1	NONE
9	CHASSIS	BRASS	1	NICKEL 100 μ" MIN.
8	INSULATION II	TEFLON	1	NONE
7	BODY	BRASS	1	NICKEL 100 μ" MIN.
6	O-RING II	RUBBER	1	BLACK
5	O-RING I	RUBBER	1	BLACK
4	INSULATION I	TEFLON	1	NONE
3	GASKET	SILICONE	1	NONE
2	WASHER	IRON	1	NICKEL
1	NUT	BRASS	1	NICKEL
NO	DESCRIPTION	MATERIAL	Q'TY	FINISH

APPROVED by _____ DATE: _____

DESCRIPTION		BNC STRAIGHT BULKHEAD JACK CRIMP						
製圖	DRAWN	TOLERANCE	品名	XRF-13-11-26 T.G.N 174U	DATE	05.27.02'	版次	REV.
	Kristina	.X ±0.2	TITLE	\ROHS COMPLIANT (50Ω)	日期			A-5
檢圖	CHECK	.XX ±0.1	單位	mm(in)	DWG.NO.	13-0607		
	Ivan		比例	SCALE	Xmultiple Technologies, Inc.			
認定	APPROVAL	.XXX ±0.05	比例	SCALE				
	Angela	ANGLE ±5°	比例	3:1				