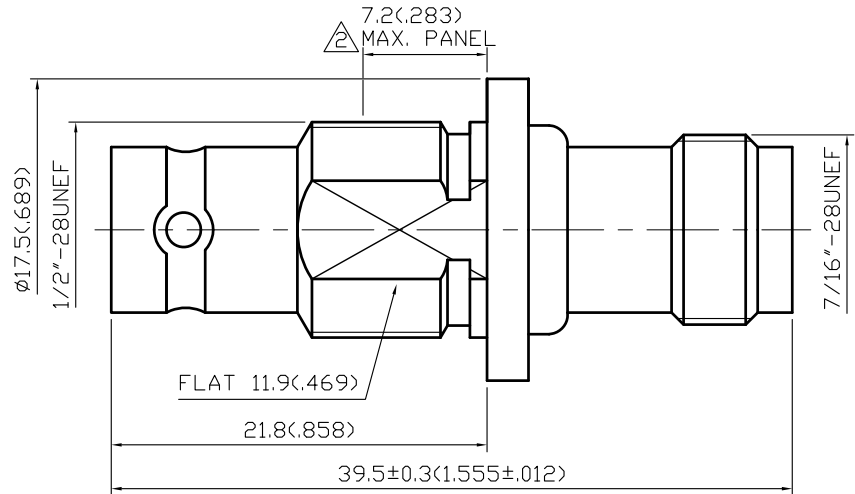
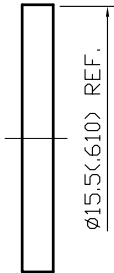
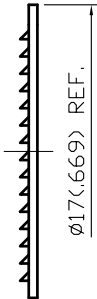
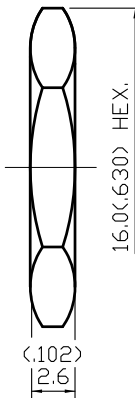
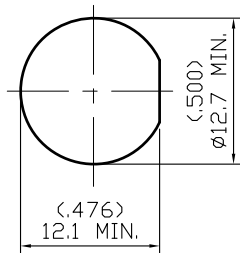


NO	DESCRIPTION	DATE
①	MODIFY 5.2	08.01.12'
②	7.7 → 7.2	09.05.12'
③	DEL. PROOF VOLTAGE WORKING VOLTAGE → VOLTAGE RATING	12.28.12'



01/03/2013



MOUNTING HOLE  
SCALE 2:1

**1.0 ELECTRICAL**

- 1.1 FREQUENCY RANGE: DC-4 GHz
- 1.2 NOMINAL IMPEDANCE: 50 OHM
- 1.3 VOLTAGE RATING: 500 VOLTS MAX. ③

**2.0 MATERIALS**

- 2.1 BODIES: BRASS PER JIS-C3604
- 2.2 CENTER CONTACT: BRASS PER JIS-C3604
- 2.3 INSULATION: TEFLON PER ASTM D1457 AND ASTM D1710

**3.0 FINISHES AND OTHERS**

3.1 SEE BELOW TABLE FOR DETAILS.

**4.0 MECHANICAL**

4.1 INTERFACE IN ACCORDANCE WITH: MIL-STD-348A

**5.0 ENVIRONMENTAL**

- 5.1 OPERATING TEMPERATURE RANGE: -65° C TO +165° C
- 5.2 CONNECTOR MUST WITHSTAND WATERPROOF LEAK TEST PRESSURE 7kg/cm<sup>2</sup> MIN. ①

9	CENTER CONTACT	BRASS	2	GOLD 30μ" MIN.
8	CHASSIS	BRASS	1	NICKEL 100μ" MIN.
7	HERMETICALLY SEALED	————	1	NONE
6	BODY	BRASS	1	NICKEL 100μ" MIN.
5	INSULATION	TEFLON	2	NONE
4	WASHER	BRASS	1	NICKEL
3	GASKET	SILICONE	1	RED
2	WASHER	STEEL	1	NICKEL
1	NUT	BRASS	1	NICKEL
NO	DESCRIPTION	MATERIAL	Q'TY	FINISH

APPROVED

by \_\_\_\_\_ DATE: \_\_\_\_\_

DESCRIPTION		HERMETICALLY SEALED STRAIGHT BULKHEAD BNC JACK-TNC JACK ADAPTER						
製圖	DRAWN	TOLERANCE	品名	XRF-13-29-11 T.G.N	DATE	版次	REV.	
	<i>Kristina</i>							ANGLE
檢圖	CHECK	單位	SCALE	DWG.NO.	13-0620	Xmultiple Technologies, Inc.		
	<i>Ivan</i>							mm(in)
認定	APPROVAL	比例						
	<i>Angela</i>							