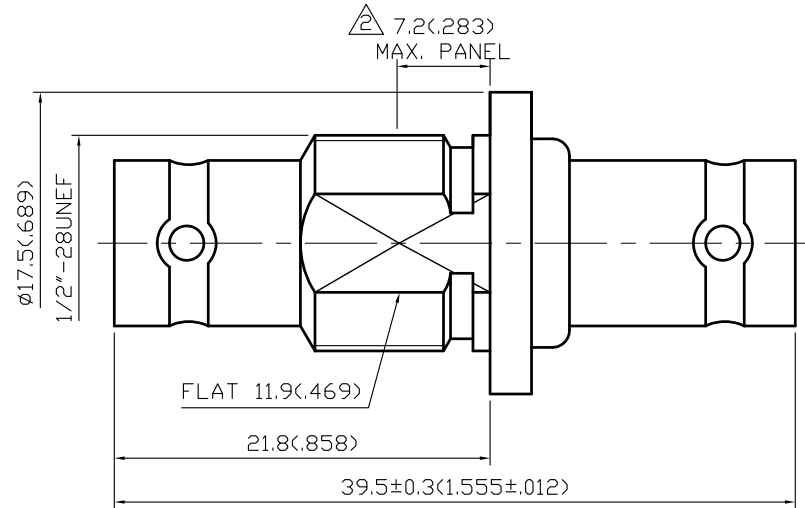
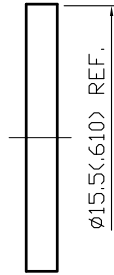
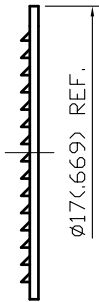
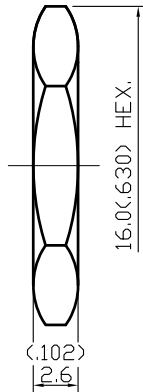
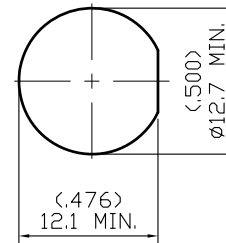


NO	DESCRIPTION	DATE
①	MODIFY 5.2	08.01.12'
②	5.4 → 7.2	09.03.12'
③	DEL PROOF VOLTAGE WORKING VOLTAGE → VOLTAGE RATING	12.28.12'



01/03/2013



MOUNTING HOLE
SCALE 2:1

1.0 ELECTRICAL

- 1.1 FREQUENCY RANGE: DC-4 GHz
- 1.2 NOMINAL IMPEDANCE: 50 OHM
- 1.3 VOLTAGE RATING: 500 VOLTS MAX. ③

2.0 MATERIALS

- 2.1 BODIES: BRASS PER JIS-C3604
- 2.2 CENTER CONTACT: BRASS PER JIS-C3604
- 2.3 INSULATION: TEFLON PER ASTM D1457 AND ASTM D1710

3.0 FINISHES AND OTHERS

- 3.1 SEE BELOW TABLE FOR DETAILS.

4.0 MECHANICAL

- 4.1 INTERFACE IN ACCORDANCE WITH: MIL-STD-348A

5.0 ENVIRONMENTAL

- 5.1 OPERATING TEMPERATURE RANGE: -65° C TO +165° C
- 5.2 CONNECTOR MUST WITHSTAND WATERPROOF LEAK TEST PRESSURE 7kg/cm² MIN. ①

9	CENTER CONTACT	BRASS	2	GOLD 30μ" MIN.
8	CHASSIS	BRASS	1	NICKEL 100μ" MIN.
7	HERMETICALLY SEALED	—	1	NONE
6	BODY	BRASS	1	NICKEL 100μ" MIN.
5	INSULATION	TEFLON	2	NONE
4	WASHER	BRASS	1	NICKEL
3	GASKET	SILICONE	1	RED
2	WASHER	STEEL	1	NICKEL
1	NUT	BRASS	1	NICKEL 100μ" MIN.
NO	DESCRIPTION	MATERIAL	Q'TY	FINISH

APPROVED

by _____ DATE: _____

DESCRIPTION		HERMETICALLY SEALED BNC BULKHEAD JACK-JACK ADAPTER						
製圖	DRAWN	TOLERANCE	品名	XRF-13-29-12 T.G.N	日期	DATE	版次	REV.
	<i>Kristina</i>							
檢圖	CHECK	單位	單位	DWG.NO.	13-0625			
	<i>Ivan</i>							
認定	APPROVAL	±0.05	比例	SCALE				
	<i>Angela</i>	ANGLE ±5°	3:1	Xmultiple Technologies, Inc.				