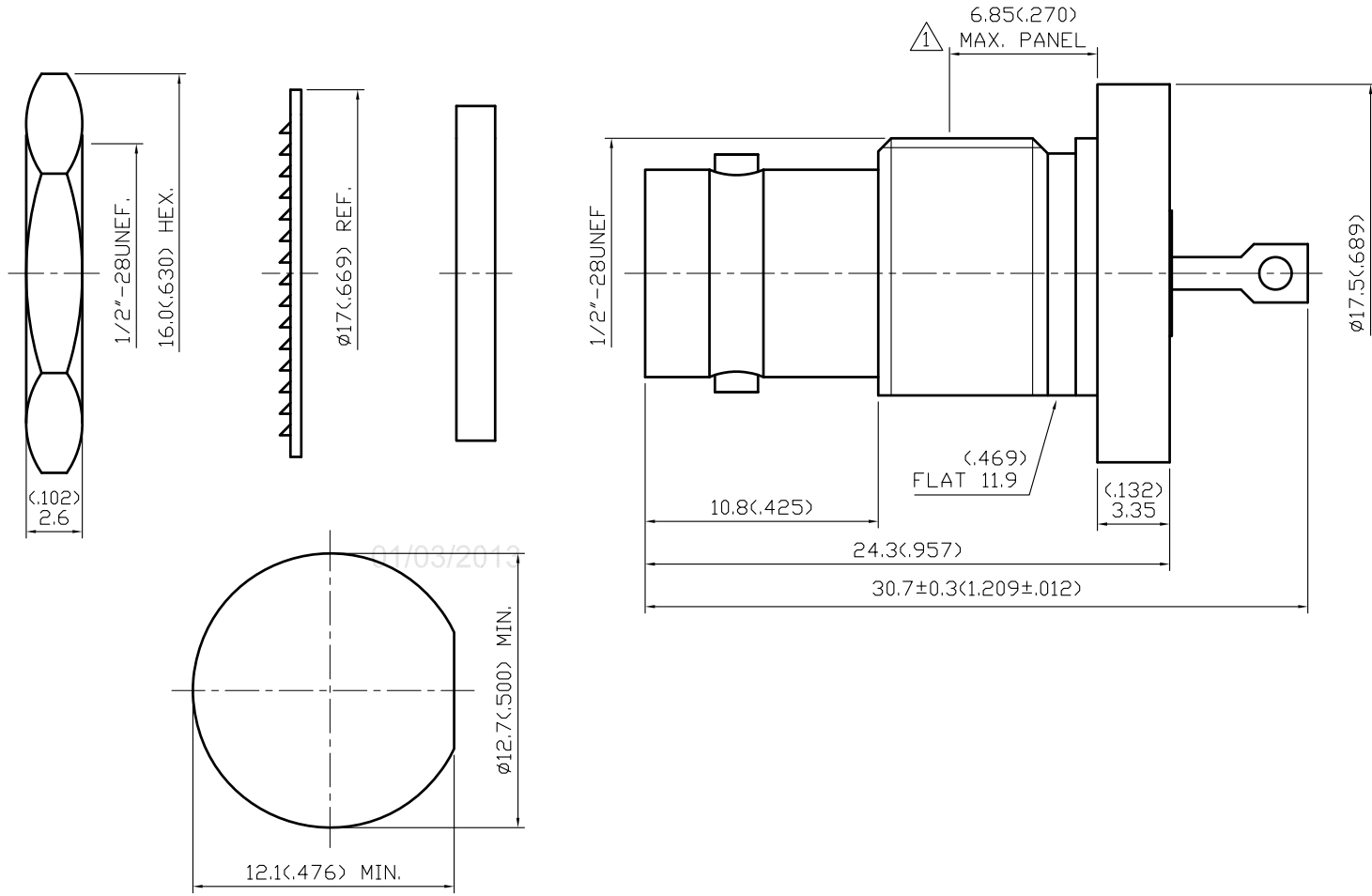


NO	DESCRIPTION	DATE
①	MODIFY 5.2	08.01.12'
②	ADD VOLTAGE RATING	12.28.12'



**1.0 ELECTRICAL**

- 1.1 FREQUENCY RANGE: DC-4 GHz
- 1.2 NOMINAL IMPEDANCE: 50 OHM
- 1.3 VOLTAGE RATING: 500 VOLTS MAX. ②

**2.0 MATERIALS**

- 2.1 BODIES: BRASS PER JIS-C3604
- 2.2 CENTER CONTACT: BRASS PER JIS-C3604
- 2.3 INSULATION: TEFLON PER ASTM D1457 AND ASTM D1710

**3.0 FINISHES AND OTHERS**

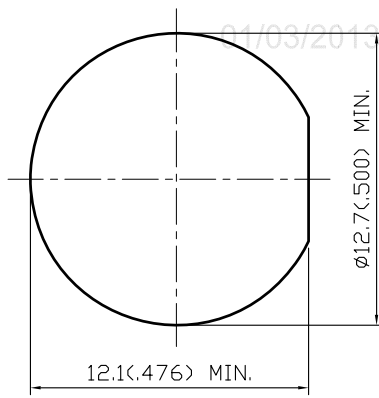
- 3.1 SEE BELOW TABLE FOR DETAILS.

**4.0 MECHANICAL**

- 4.1 INTERFACE IN ACCORDANCE WITH: MIL-STD-348A

**5.0 ENVIRONMENTAL**

- 5.1 OPERATING TEMPERATURE RANGE: -65° C TO +165° C
- 5.2 CONNECTOR MUST WITHSTAND WATERPROOF LEAK TEST PRESSURE 7kg/cm<sup>2</sup> MIN. ①



MOUNTING HOLE

APPROVED by \_\_\_\_\_ DATE: \_\_\_\_\_

8	HERMETICALLY SEALED	—	1	GOLD 3μ" MIN.
7	BODY	BRASS	1	NICKEL 100μ" MIN.
6	INSULATION	TEFLON	1	NONE
5	CENTER CONTACT	BRASS	1	GOLD 30μ" MIN.
4	WASHER II	BRASS	1	NICKEL
3	GASKET	SILICONE	1	RED
2	WASHER I	STEEL	1	NICKEL
1	NUT	BRASS	1	NICKEL 100μ" MIN.
NO	DESCRIPTION	MATERIAL	Q'TY	FINISH

DESCRIPTION		HERMETICALLY SEALED BNC STRAIGHT BULKHEAD JACK RECEPTACLE						
製圖	DRAWN	TOLERANCE	品名	XRF-13-25-28 T.G.N	日期	DATE	版次	REV.
	<i>Kristina</i>							
檢圖	CHECK	單位	UNIT	DWG.NO.	13-0649			
	<i>Ivan</i>							
認定	APPROVAL	XXX	±0.05	比例	SCALE	Xmultiple Technologies, Inc.		
<i>Angela</i>	ANGLE	±5°	4:1					