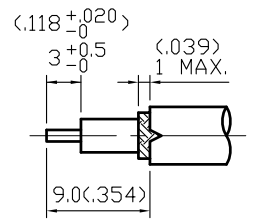
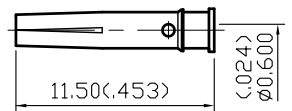
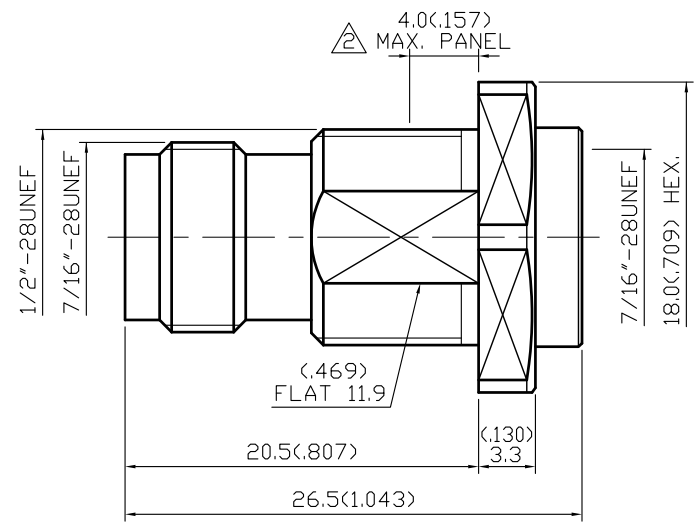
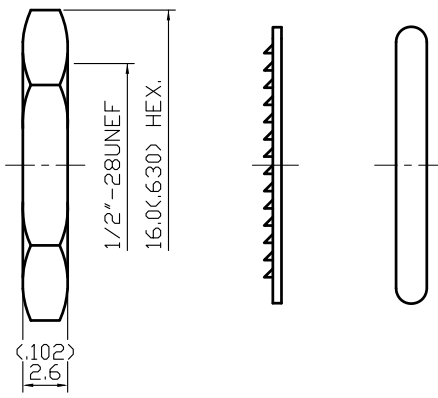


NO	DESCRIPTION	DATE
1	NICKEL 100 μ " MIN. → NICKEL	05.18.09'
2	ADD WORKING VOLTAGE ADD PROOF VOLTAGE ; ϕ 3.00 ADD 4.2 ; 5.2; 4.0 MAX. PANEL	08.03.12'
3	ADD MOUNTING HOLE	09.12.12'
4	DEL PROOF VOLTAGE WORKING VOLTAGE → VOLTAGE RATING	12.28.12'



1.0 ELECTRICAL

- 1.1 FREQUENCY RANGE: DC-6 GHz
- 1.2 NOMINAL IMPEDANCE: 50 OHM
- 1.3 VOLTAGE RATING: 375 VOLTS MAX. \triangle \triangle \triangle \triangle

2.0 MATERIALS

- 2.1 BODIES: BRASS PER JIS-C3604
- 2.2 CENTER CONTACT: BERYLLIUM COPPER PER ASTM B196 UNS C17300
- 2.3 INSULATION: TEFLON PER ASTM D1457 AND ASTM D1710

3.0 FINISHES AND OTHERS

- 3.1 SEE BELOW TABLE FOR DETAILS.

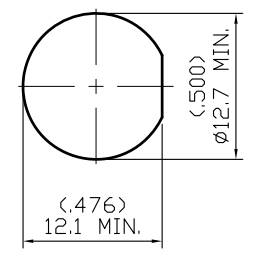
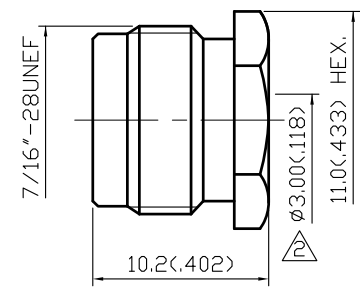
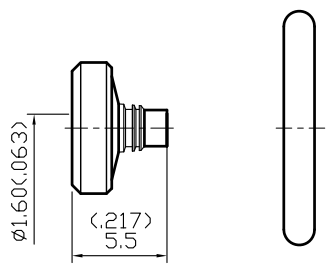
4.0 MECHANICAL

- 4.1 INTERFACE IN ACCORDANCE WITH: MIL-STD-348A
- 4.2 FOR USE WITH RG316U OR SIMILAR STYLE CABLE \triangle

5.0 ENVIRONMENTAL

- 5.1 OPERATING TEMPERATURE RANGE: -65° C TO +165° C
- 5.2 CONNECTOR MUST WITHSTAND WATERPROOF LEAK TEST PRESSURE 3kg/cm² MIN. \triangle

01/03/2013



\triangle MOUNTING HOLE SCALE 2:1

16	NUT II	BRASS	1	NICKEL 100 μ " MIN.
15	O-RING V	SILICONE	1	BLACK
14	BRAID CLAMP II	BRASS	1	NICKEL 100 μ " MIN.
13	O-RING IV	SILICONE	1	RED
12	BRAID CLAMP I	BRASS	1	NICKEL 100 μ " MIN.
11	INSULATION III	TEFLON	1	NONE
10	CENTER CONTACT	BERYLLIUM COPPER	1	GOLD
9	O-RING III	SILICONE	1	BLACK
8	BODY	BRASS	1	NICKEL 100 μ " MIN.
7	INSULATION II	TEFLON	1	NONE
6	O-RING II	SILICONE	1	BLACK
5	O-RING I	SILICONE	1	BLACK
4	WASHER II	BRASS	1	NICKEL 100 μ " MIN.
3	INSULATION I	TEFLON	1	NONE
2	WASHER I	BRASS	1	NICKEL
1	NUT I	BRASS	1	NICKEL 100 μ " MIN.
NO	DESCRIPTION	MATERIAL	Q'TY	FINISH

APPROVED

by _____ DATE: _____

DESCRIPTION		TOLERANCE		品名		XRF-15-04-3 T.G.N		DATE		REV.	
製圖	DRAWN	.X	\pm 0.2	品名	\ROHS COMPLIANT (ϕ50)		日期	07.14.00'	版次	B-4	
檢圖	CHECK	.XX	\pm 0.1	單位	UNIT	DWG.NO. 15-0085					
認圖	APPROVAL	.XXX	\pm 0.05	比例	SCALE	Xmultiple Technologies, Inc.					
	Angela	ANGLE	\pm 5°		3:1						