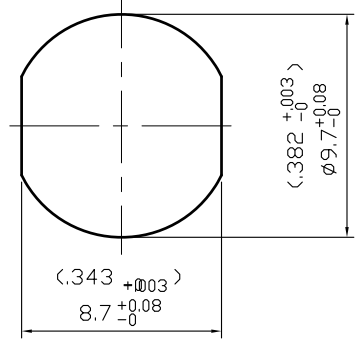
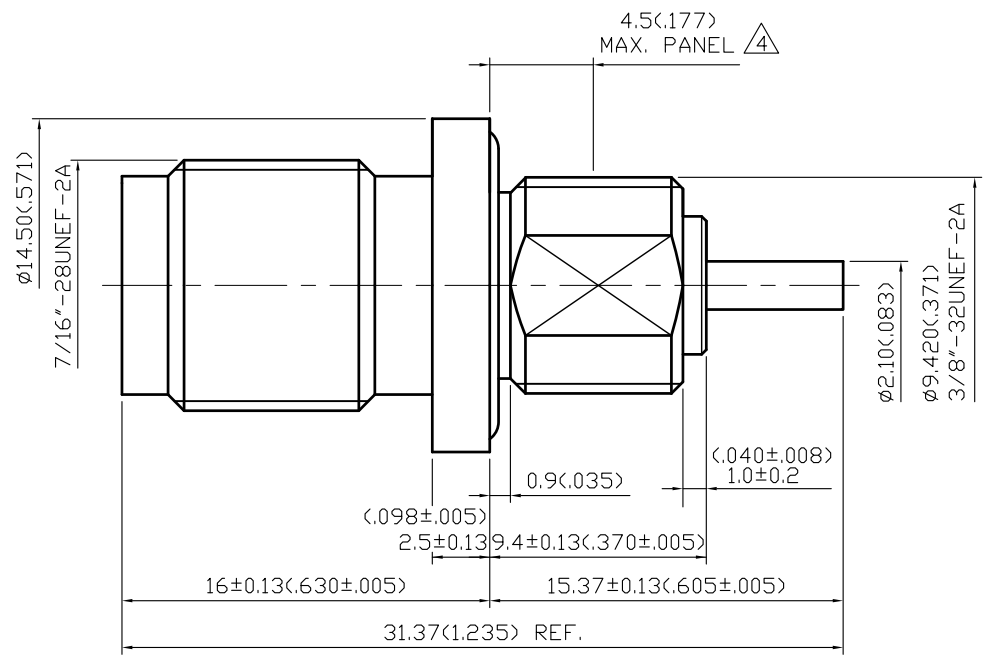
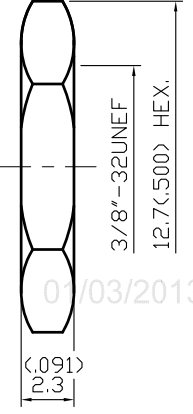
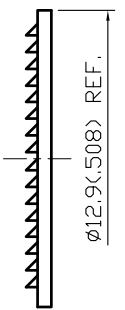
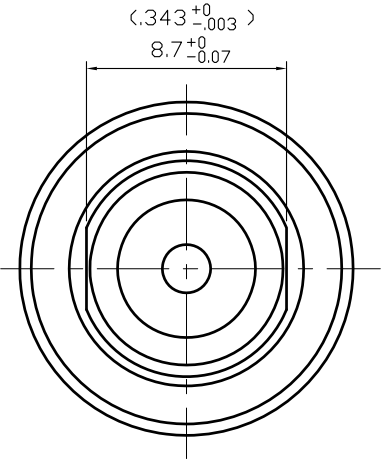


NO	DESCRIPTION	DATE
①	ADD 0.9	12.18.04'
②	BACKGROUND FORMAT UPDATED	08.30.07'
③	MODIFICATION PARTS ③ ⑧ NICKEL 100μ"MIN. → NICKEL	07.18.11'
④	ADD 4.5 MAX. PANEL	08.03.12'
⑤	DEL PROOF VOLTAGE; NONE → BLACK WORKING VOLTAGE → VOLTAGE RATING	12.28.12'



RECOMMENDED PANEL CUTOUT

**1.0 ELECTRICAL**

- 1.1 FREQUENCY RANGE: DC-11 GHz
- 1.2 NOMINAL IMPEDANCE: 50 OHM
- 1.3 VOLTAGE RATING: 500 VOLTS MAX. ⑤

**2.0 MATERIALS**

- 2.1 BODIES: BRASS PER JIS-C3604
- 2.2 CENTER CONTACT: BERYLLIUM COPPER PER ASTM B196 UNS C17300
- 2.3 INSULATION: TEFLON PER ASTM D1457 AND ASTM D1710

**3.0 FINISHES AND OTHERS**

- 3.1 SEE BELOW TABLE FOR DETAILS.

**4.0 MECHANICAL**

- 4.1 INTERFACE IN ACCORDANCE WITH: MIL-STD-348A

**5.0 ENVIRONMENTAL**

- 5.1 OPERATING TEMPERATURE RANGE: -65° C TO +165° C
- 5.2 CONNECTOR MUST WITHSTAND WATERPROOF LEAK TEST PRESSURE 3 kg/cm<sup>2</sup> MIN.

10	CENTER CONTACT	BERYLLIUM COPPER	1	GOLD
9	INSULATION	TEFLON	1	NONE
8	O-RING	SILICONE	1	BLACK
7	O-RING	SILICONE	1	BLACK
6	O-RING	SILICONE	1	BLACK
5	WASHER	BRASS	1	WHITE BRONZE 80 μ"MIN.
4	INSULATION	TEFLON	1	NONE
3	BODY	BRASS	1	WHITE BRONZE 80 μ"MIN.
2	NUT	BRASS	1	NICKEL
1	WASHER	PHOSPHOR BRONZE	1	NICKEL
NO	DESCRIPTION	MATERIAL	Q'TY	FINISH

⑤  
⑤  
③  
③

APPROVED

by \_\_\_\_\_ DATE: \_\_\_\_\_

DESCRIPTION		TNC STRAIGHT BULKHEAD JACK RECEPTACLE						
製圖	DRAWN	TOLERANCE	品名	XRF-15-29-12 T.G.WB/N	日期	DATE	版次	REV.
	<i>Kristina</i>							
檢圖	CHECK	單位	SCALE	DWG.NO.	15-0209	Xmultiple Technologies, Inc.		
	<i>Ivan</i>							
認定	APPROVAL	.XXX ±0.05	比例	4:1				
	<i>Angela</i>	ANGLE ±5°						