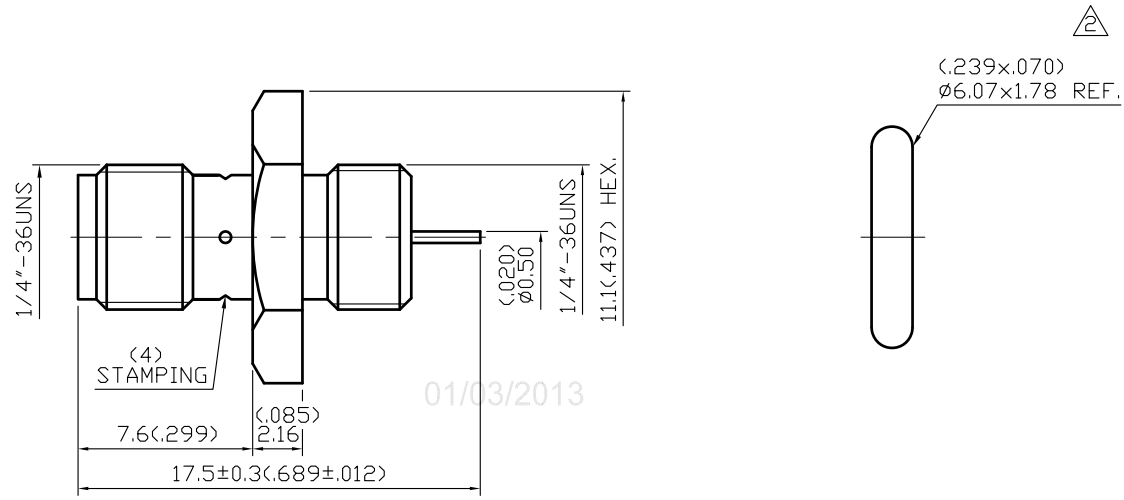


NO	DESCRIPTION	DATE
①	3kg/cm <sup>2</sup> MIN. → 7kg/cm <sup>2</sup> MIN.	06.18.12'
②	DEL MOUNTING HOLE ADD Ø6.07x1.78 REF.	09.12.12'
③	DEL PROOF VOLTAGE WORKING VOLTAGE → VOLTAGE RATING	01.02.13'



**1.0 ELECTRICAL**

- 1.1 FREQUENCY RANGE: DC-18 GHz
- 1.2 NOMINAL IMPEDANCE: 50 OHM
- 1.3 VOLTAGE RATING: 500 VOLTS MAX. ③
- 1.4 VSWR: 1.3 MAX.

**2.0 MATERIALS**

- 2.1 BODIES: STAINLESS STEEL PER JIS SUS 303
- 2.2 CENTER CONTACT: BERYLLIUM COPPER PER ASTM B196 UNS C17300
- 2.3 INSULATION: TEFLON PER ASTM D1457 AND ASTM D1710

**3.0 FINISHES AND OTHERS**

3.1 SEE BELOW TABLE FOR DETAILS.

**4.0 MECHANICAL**

4.1 INTERFACE IN ACCORDANCE WITH: MIL-STD-348A

**5.0 ENVIRONMENTAL**

- 5.1 OPERATING TEMPERATURE RANGE: -65° C TO +165° C
- 5.2 CONNECTOR MUST WITHSTAND WATERPROOF LEAK TEST PRESSURE 7kg/cm<sup>2</sup> MIN. ①

NO	DESCRIPTION	MATERIAL	Q'TY	FINISH
4	O-RING	SILICONE	1	RED
3	CENTER CONTACT	BERYLLIUM COPPER	1	GOLD 50μ" MIN.
2	INSULATION	TEFLON	1	NONE
1	BODY	STAINLESS STEEL	1	GOLD 3μ" MIN.

**APPROVED** by \_\_\_\_\_ DATE: \_\_\_\_\_

DESCRIPTION		SMA BULKHEAD JACK RECEPTACLE SEALED						
製圖	DRAWN	TOLERANCE	品名	XRF-19-16-10 T.G.G	日期	DATE	版次	REV.
	<i>Kristina</i>							
檢圖	CHECK	單位	UNIT	DWG.NO.	19-0197			
	<i>Arc</i>							
認定	APPROVAL	ANGLE	SCALE	Xmultiple Technologies, Inc.				
	<i>Angela</i>							