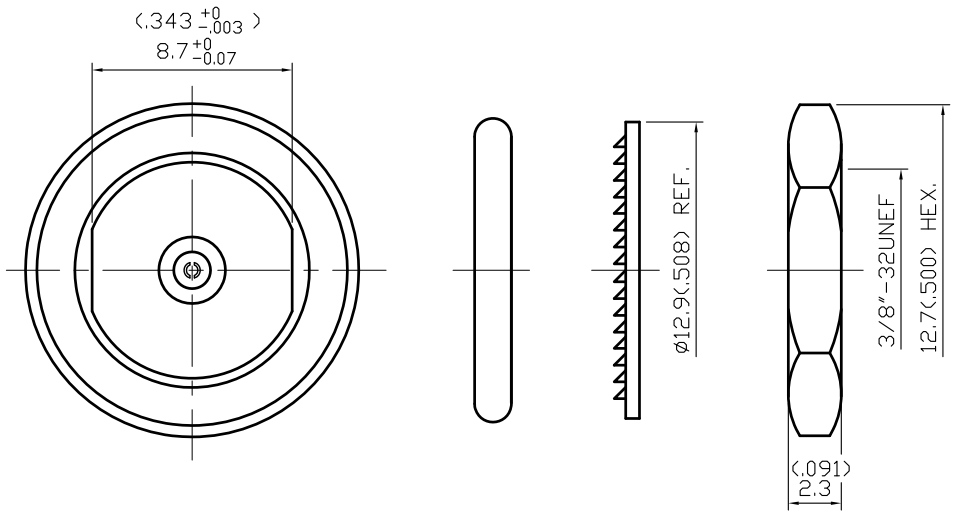
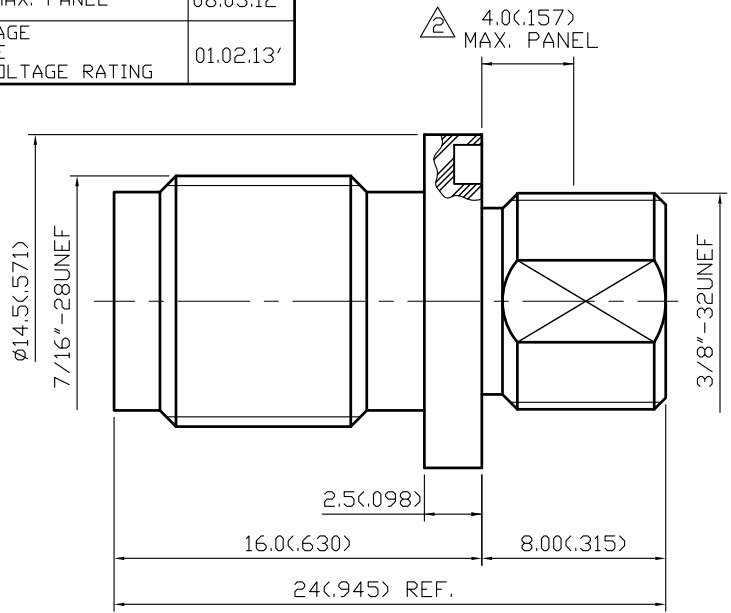
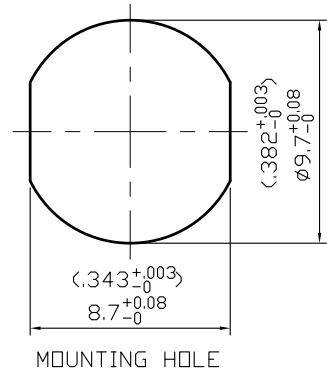


NO	DESCRIPTION	DATE
①	MODIFICATION PARTS ⑦ ③ NICKEL 100 μ" MIN. → NICKEL	07.16.11'
②	ADD 5.2; 4.0 MAX. PANEL	08.03.12'
③	DEL. PROOF VOLTAGE WORKING VOLTAGE → VOLTAGE RATING	01.02.13'



01/03/2013



1.0 ELECTRICAL

- 1.1 FREQUENCY RANGE: DC-6 GHz
- 1.2 NOMINAL IMPEDANCE: 50 OHMS
- 1.3 VOLTAGE RATING: 170 VOLTS MAX. ③

2.0 MATERIALS

- 2.1 BODIES: BRASS PER JIS-C3604
- 2.2 CENTER CONTACT: BERYLLIUM COPPER PER ASTM B196 UNS C17300
- 2.3 INSULATION: TEFLON PER ASTM D1457 AND ASTM D1710

3.0 FINISHES AND OTHERS

- 3.1 SEE BELOW TABLE FOR DETAILS.

4.0 MECHANICAL

- 4.1 INTERFACE IN ACCORDANCE WITH: MIL-STD-348A & BS EN 122340

5.0 ENVIRONMENTAL

- 5.1 OPERATING TEMPERATURE RANGE: -55° C TO +155° C
- 5.2 CONNECTOR MUST WITHSTAND WATERPROOF LEAK TEST PRESSURE 3kg/cm² MIN. ②

10	NUT	BRASS	1	NICKEL	①
9	WASHER	PHOSPHOR BRONZE	1	NICKEL	①
8	O-RING III	SILICONE	1	BLACK	
7	BODY	BRASS	1	WHITE BRONZE 80 μ" MIN.	
6	CENTER CONTACT	BERYLLIUM COPPER	1	GOLD 30 μ" MIN.	
5	O-RING II	SILICONE	1	BLACK	
4	INSULATION II	TEFLON	1	NONE	
3	O-RING I	SILICONE	1	BLACK	
2	WASHER	BRASS	1	WHITE BRONZE 80 μ" MIN.	
1	INSULATION I	TEFLON	1	NONE	
NO	DESCRIPTION	MATERIAL	Q'TY	FINISH	

APPROVED by _____ DATE: _____

DESCRIPTION		STRAIGHT TNC JACK - MMCX JACK BULKHEAD ADAPTER						
製圖	DRAWN	TOLERANCE	品名	XRF-37-17 T.G.WB/N	日期	DATE	版次	REV.
	<i>Kristina</i>							
檢圖	CHECK	單位	UNIT	DWG.NO.	37-0057	Xmultiple Technologies, Inc.		
	<i>Arc</i>							
認定	APPROVAL	.XXX ±0.05	比例	SCALE	4:1			
	<i>Angela</i>	ANGLE ±5°						