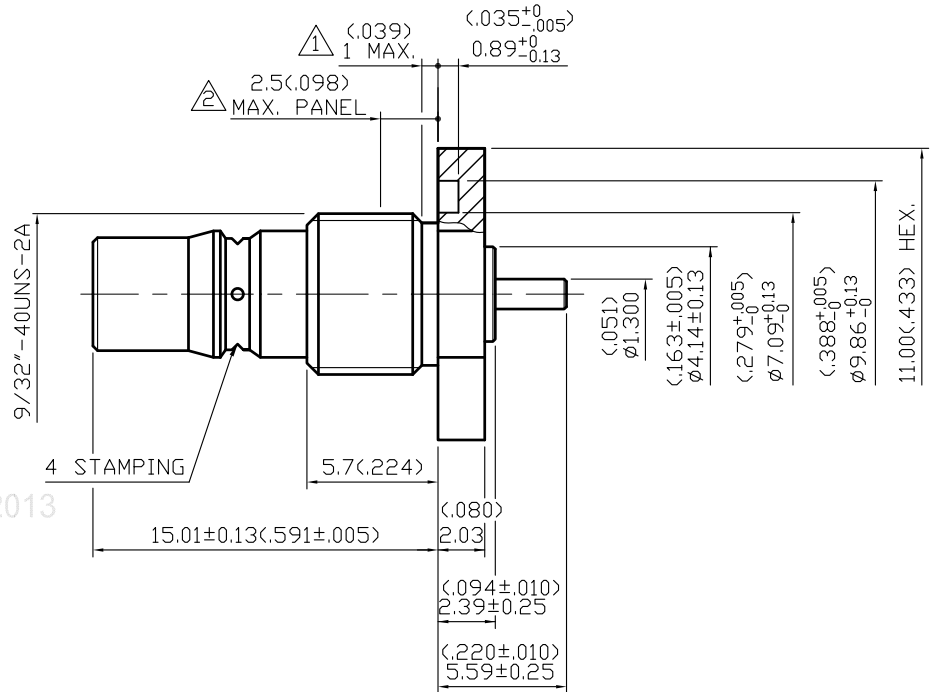
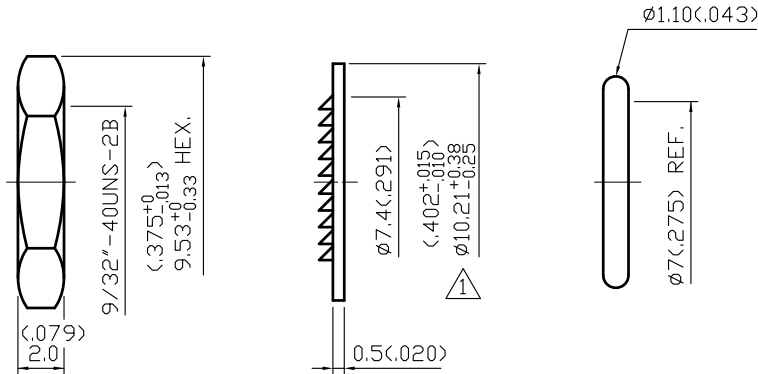


NO	DESCRIPTION	DATE
①	Ø10.3 REF. → Ø10.21 ^{+0.38} _{-0.25} ADD 1 MAX.	01.23.07
②	MODIFY 4.2 ADD 2.5 MAX. PANEL	08.03.12
③	DEL PROOF VOLTAGE WORKING VOLTAGE → VOLTAGE RATING	01.02.13



01/03/2013

1.0 ELECTRICAL

- 1.1 FREQUENCY RANGE: DC-6GHz
- 1.2 NOMINAL IMPEDANCE: 50 Ohms
- 1.3 VOLTAGE RATING: 335 Volts Max. ③
- 1.4 SWR: DC-3GHz:1.06:1 Max; 3-6GHz: 1.12:1 Max.

2.0 MATERIALS

- 2.1 BODIES: BRASS PER JIS-C3604
- 2.2 CENTER CONTACT: BERYLLIUM COPPER PER ASTM B196 UNS C17300
- 2.3 INSULATION: TEFLON PER ASTM D1457 AND ASTM D1710

3.0 FINISHES

3.1 SEE BELOW TABLE FOR DETAILS.

4.0 ENVIRONMENTAL

- 4.1 OPERATING TEMPERATURE RANGE: -55° C TO +80° C
- 4.2 CONNECTOR MUST WITHSTAND WATERPROOF LEAK TEST PRESSURE 3kg/cm² MIN. ②

APPROVED by _____ DATE: _____

6	O-RING	FLUOROSILICONE	1	BLUE
5	LOCKWASHER	BRASS	1	WHITE BRONZE 80µ" MIN.
4	NUT	BRASS	1	WHITE BRONZE 80µ" MIN.
3	CENTER CONTACT	BERYLLIUM COPPER	1	GOLD 30µ" MIN. OVER ELECTROLESS NICKEL 50µ" MIN.
2	INSULATION	TEFLON	1	NONE
1	BODY	BRASS	1	WHITE BRONZE 80µ" MIN.
NO	DESCRIPTION	MATERIAL	Q'TY	FINISH

DESCRIPTION		QMA STRAIGHT BULKHEAD JACK RECEPTACLE						
製圖	DRAWN	TOLERANCE	品名	XRF-54-04-1 T.G.WB	日期	DATE	版次	REV.
	Kristina							
檢圖	CHECK	單位	SCALE	DWG.NO.	54-0003	Xmultiple Technologies, Inc.		
	Arc							
認定	APPROVAL	XXX	±0.05	比例	4:1			
	Angela	ANGLE	±5°					