

1 2 3 4 5 6 7 8

REVISIONS		
ISS	ZONE	DESCRIPTION\PER REQUEST\DATE

F

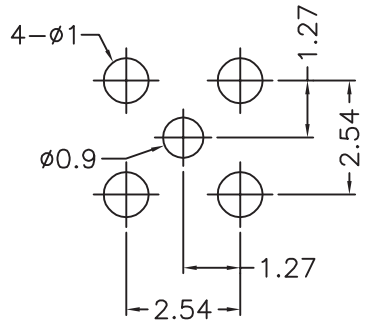
E

D

C

B

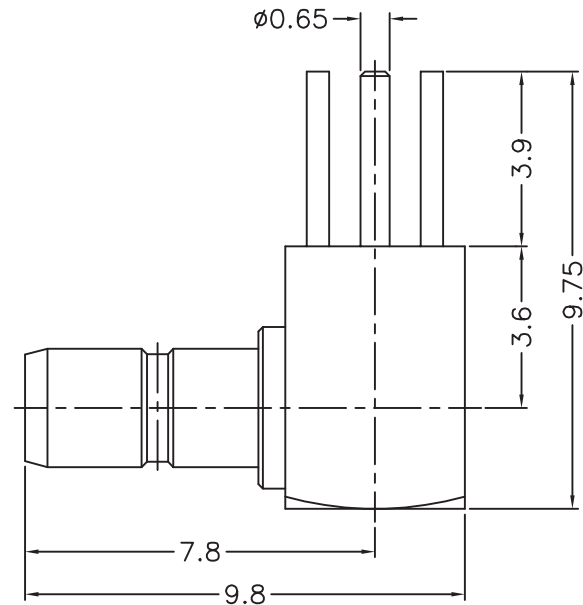
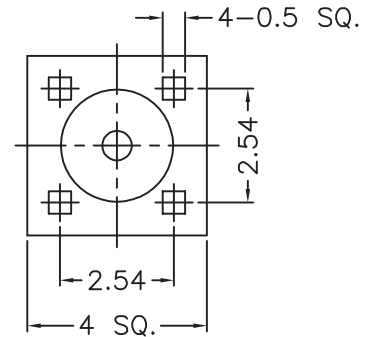
A



PCB MOUNTING HOLE  
(印刷电路板架設孔)

NOTES: FINISH (PLATING THICKNESS IN MICRO-INCHES)

1. BRASS
2. THIN GOLD OVER NICKEL PL. 50 MIN. THICK OVER COPPER PL. 50 MIN. THICK
3. GOLD PL. 3 MIN. THICK OVER NICKEL PL. 50 MIN. THICK OVER COPPER PL. 50 MIN. THICK
4. TEFLON



RoHS COMPLIANT

DIMENSIONS ARE IN MILLIMETERS										PART NO.		Xmultiple Technologies Inc.		
5	INSULATOR	NOTE 4	NATURAL	1	500S-1252Q1-5T	UNLESS OTHERWISE SPECIFIED TOLERANCES 0.5-6 = ±0.2 6-30 = ±0.4 30-120 = ±0.6 120-315 = ±1 315-1000 = ±1.6 1000-2000 = ±2.4				XRF-SSMB-S1252Q1-50		TITLE SSMB R/A P.C. Mount Jack Connector		
4	HOUSING	NOTE 1	NOTE 2	1	500S-1252Q1-4					APPROVED	DATE			11-18-'14
3	CONTACT PIN	NOTE 1	NOTE 3	1	500S-1252Q1-3					CHECKED	DATE	11-18-'14		
2	INSULATOR	NOTE 4	NATURAL	1	500S-1252Q1-2 -50T					DRAWN	DATE	11-18-'14		
1	BODY	NOTE 1	NOTE 2	1	500S-1252Q1-1					ANGELA		11-18-'14		
NO.	DESCRIPTION	MATERIAL	FINISH	Q'TY	DRAWING NO.	SCALE	6/1	ISSUE	A	FILE NO.	R:\D\G\DWG\500S\1252Q1\50			

F

E

D

C

B

A

1 2 3 4 5 6 7 8