

# 1. MECHANICAL DIMENSIONS :

## NOTES:

### 1. RJ45 MECHANICAL:

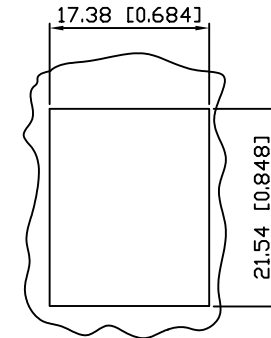
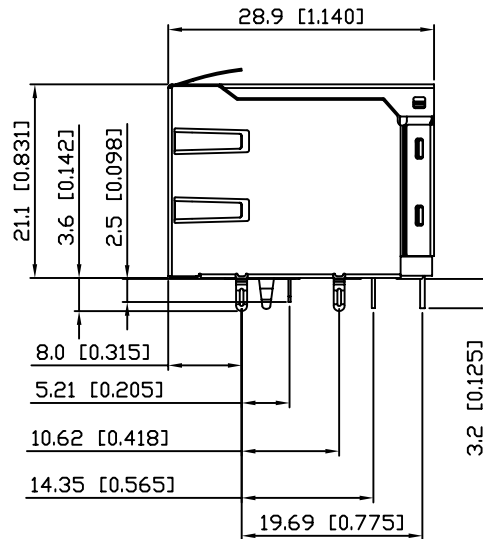
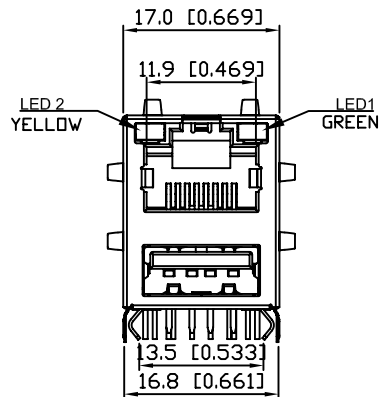
HOUSING-PBT POLYESTER UL94V-0  
 MIXED GLASS FIBER.  
 STANDARD COLOR: PANTONE 299 BLUE.  
 CONTACTS -0.35mm THICK PHOS-BRONZE PLATED  
 WITH 15u' GOLD AND TIN  
 IN SOLDER AREA.  
 SHIELD-COPPER ALLOY,  
 PLATED WITH NICKEL.  
 CAVITY CONFORMS TO FCC RULES AND REGULATIONS  
 PART 68,SUBPART F.

### 2. USB MECHANICAL:

HOUSING: PBT COLOR: PANTONE 299 BLUE.  
 CONTACT: PHOSPHOR-BRONZE  
 30u' GOLD PLATING ON CONTACT AREA.  
 SHIELD: BRASS  
 PLATED WITH NICKEL.

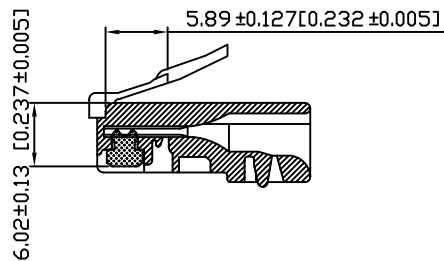
3. OPERATING TEMPERATURE: 0°C~+70°C

4. UNSPECIFIED TOLERANCE: .XX ±0.25[0.010]  
 .X ±0.30[0.012]



RECOMMENDED  
 PANEL CUTOUT DIMENSION

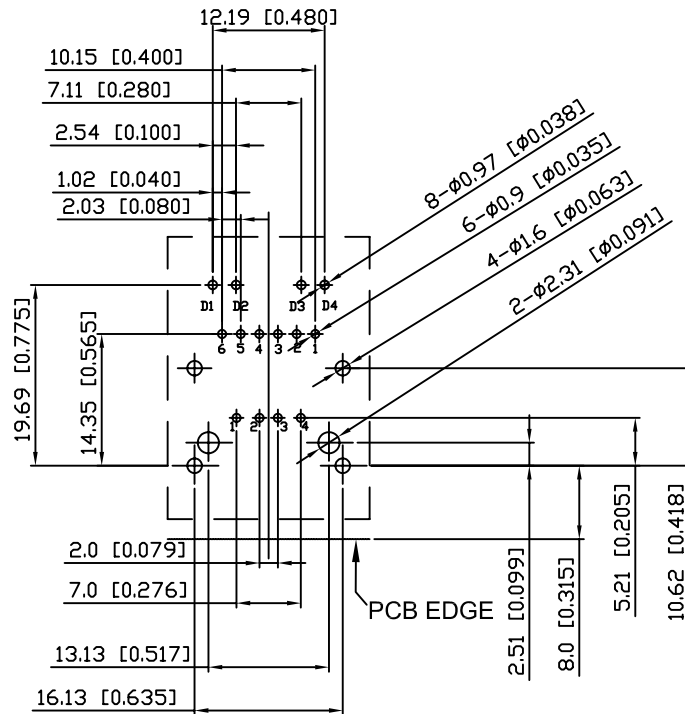
## RECOMMENED PLUG DIMENSION:



# RoHS Compliant

		CONNECTING THE INFORMATION AGE	
X MULTIPLE ASIA 4F, No. 347, Yang Guang St., Neihu, Taipei, Taiwan 11475		X MULTIPLE USA 1420 Los Angeles Ave., Suite G, Simi Valley, CA 93065	
THIS DRAWING IS A CONTROLLED DOCUMENT.			
TITLE: RJ45+USB A Type, w/LED, w/Filter 10/100 Mbps, 8P,6C, Shielded, Thru-Hole		DWG NO: XRJB-A60-1-DA1-170	
PART NO: XRJB-A60-1-DA1-170		DRAWN: IVAN	
		CHKD: JEFF	
UNIT mm [inch]		SHEET 1 of 3	
REV 01		DATE: Aug.02,07	

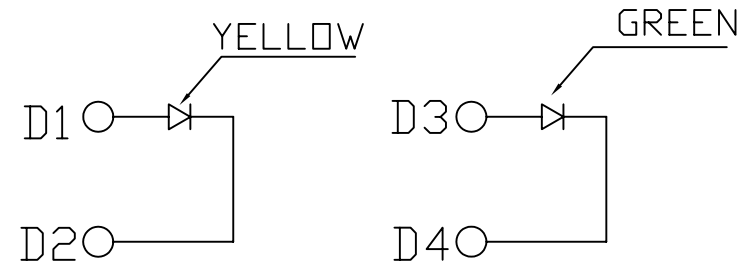
## 2. PCB LAYOUT :



SUGGESTED PCB LAYOUT  
(TOP VIEW)

DIMENSIONAL TOLERANCE: .XX ±0.08[0.003]

## 3. LED CONFIGURATION :

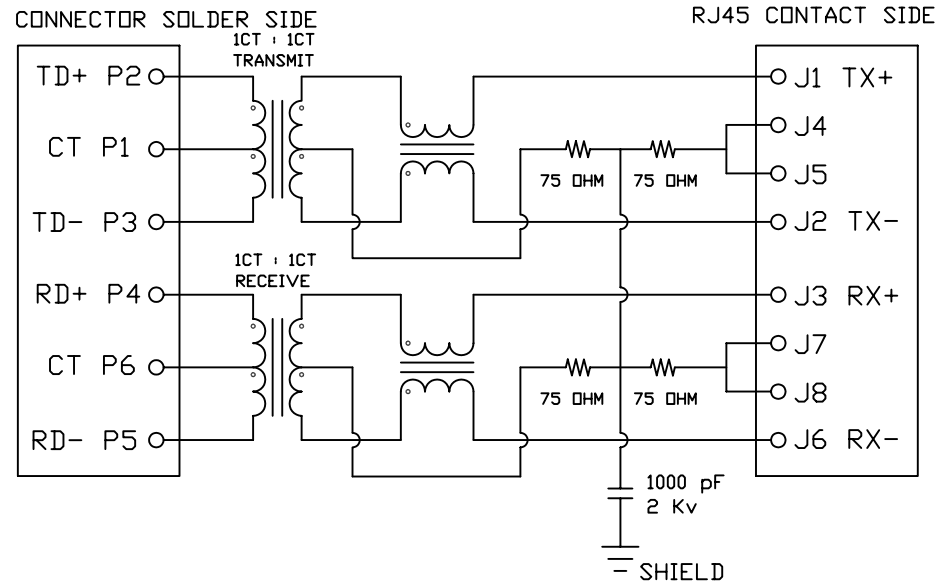


Color	Lens Color	VF(v) @20mA		Iv(mcd) @10mA		Viewing angle 2θ 1/2
		Min	Max	Min	Typ	
Yellow	Yellow Diffused	1.7	2.8	3.0	6.0	116
Green	Green Diffused	1.7	2.8	3.5	6.0	116

# RoHS Compliant

		CONNECTING THE INFORMATION AGE	
THIS DRAWING IS A CONTROLLED DOCUMENT.			
TITLE: RJ45+USB A Type, w/LED, w/Filter 10/100 Mbps, 8P,6C, Shielded, Thru-Hole			
PART NO: XRJB-A60-1-DA1-170			
	UNIT mm[inch]	SHEET 2 of 3	REV 01
DATE: Aug.02,07			DRAWN: IVAN CHKD: JEFF

## 4. SCHEMATIC:



## 5. ELECTRICAL CHARACTERISTICS :

TEST NOTES:( $25 \pm 5^\circ\text{C}$ )

1.TR:(100KHz,0.1V);

PINS:(P2-P3):(J1-J2)= $1:1 \pm 3\%$

PINS:(P4-P5):(J3-J6)= $1:1 \pm 3\%$

2.LX:(100KHz,100mV,8mA, DC Bias)

PINS: (P2,P3),(P4,P5)=350uH MINIMUM

3.DCR:

PINS:(J1-J2),(J3-J6)= 1.2 OHMS MAXIMUM

4.HIPOT:

PINS(P2,P1,P3)TO(J1,J2)=1500VAC FOR 60 SECONDS

PINS(P4,P6,P5)TO(J3,J6)=1500VAC FOR 60 SECONDS

5.INSERTION LOSS:

-1.0dB MAXIMUM AT 0.3MHz TO 100MHz;

6.RETURN LOSS:

-20dB MINIMUM AT 1MHz TO 30MHz;

-15dB MINIMUM AT 30MHz TO 60MHz

-10dB MINIMUM AT 60MHz TO 80MHz

7.CROSS TALK:

-30dB MINIMUM AT 1MHz TO 100MHz

8.COMMON TO COMMON MODE REJECTION:

-30dB MINIMUM AT 1MHz TO 100MHz

XRJB-A60-1-DA1-170

PRODUCT SERIES  
B : RJ45 OVER USB

MECHANICAL TYPE  
A60 : RJ45 OVER USB  
A TYPE , A6 SERIES

LED COLOR OPTION

PROTOCOL TYPE  
D : 10/100 Mbps, 4 CDR

SPECIAL CODE  
0 : STANDARD

SHIELDED TYPE  
7 : EMI FINGER ON ALL SIDE

LED POLARITY  
1 : +-, +-

CIRCUIT TYPE

RoHS Compliant

		CONNECTING THE INFORMATION AGE	
MULTIPLE ASIA 4F, No. 347, Yang Guang St., Neihu, Taipei, Taiwan 11475		MULTIPLE USA 1420 Los Angeles Ave., Suite G, Simi Valley, CA 93065	
THIS DRAWING IS A CONTROLLED DOCUMENT.			
TITLE: RJ45+USB A Type, w/LED, w/Filter 10/100 Mbps, 8P,6C, Shielded, Thru-Hole		DWG NO: XRJB-A60-1-DA1-170	
PART NO: XRJB-A60-1-DA1-170		DRAWN: IVAN	
		CHKD: JEFF	
UNIT mm[inch]		SHEET 3 of 3	
REV 01		DATE: Aug.02,07	