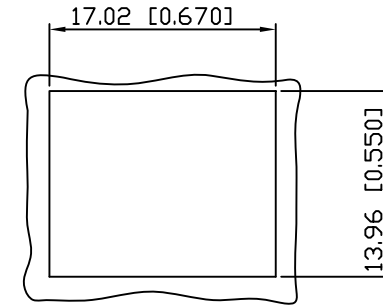
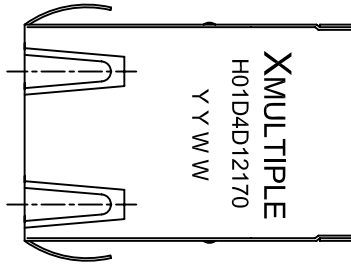
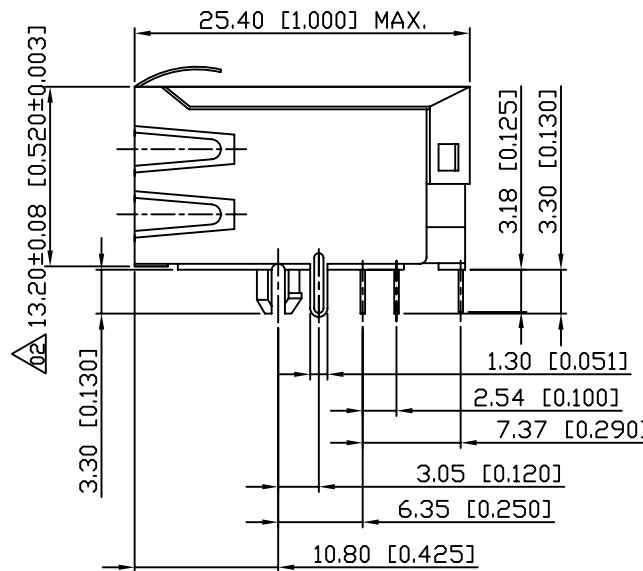
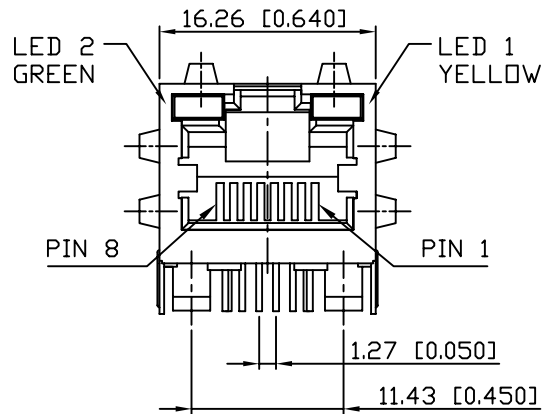


1. MECHANICAL DIMENSIONS :



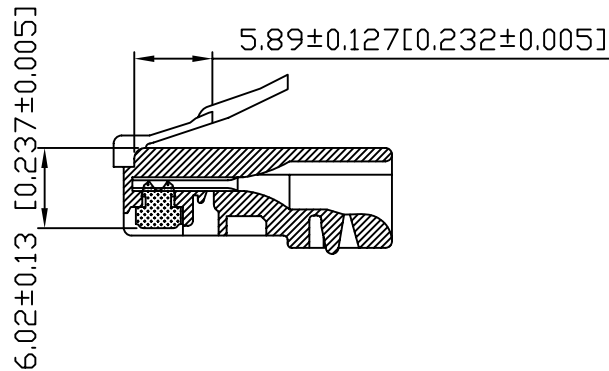
RECOMMENDED PANEL CUTOUT DIMENSION



NOTES:

1. MATERIAL:
HOUSING: NYLON POLYESTER UL94V-0
MIXED GLASS FIBER,
STANDARD COLOR-BLACK
CONTACTS: 0.35mm THICK PHOS-BRONZE PLATED
WITH 15u" GOLD AND GOLD FLASH
IN SOLDER AREA.
SHIELD: 0.20mm THICK COPPER ALLOY,
PLATED WITH NICKEL.
2. OPERATING TEMPERATURE : 0°C~70°C
3. CAVITY CONFORMS TO FCC RULES AND REGULATIONS
PART 68,SUBPART F.
4. UNSPECIFIED TOLERANCE: .XX ±0.25
.X ±0.30

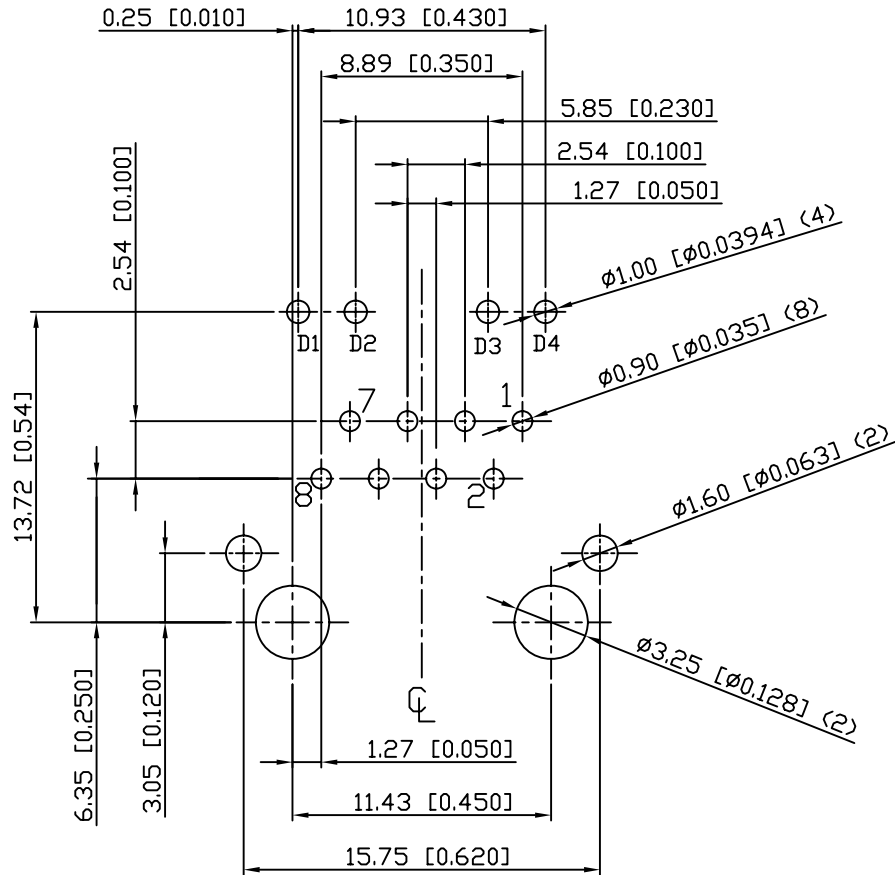
RECOMMENED PLUG DIMENSION:



RoHS Compliant

		CONNECTING THE INFORMATION AGE	
XMULTIPLE ASIA 4F, No. 347, Yang Guang St., Neihu, Taipei, Taiwan 11475		XMULTIPLE USA 1420 Los Angeles Ave., Suite G, Simi Valley, CA 93065	
THIS DRAWING IS A CONTROLLED DOCUMENT.			G/NO:
TITLE: RJ45, w/LED, with 10/100 Mbps Filter 8P,8C, Shielded, Thru Hole.			DWG NO: XRJH-01D-4-D12-170
PART NO: XRJH-01D-4-D12-170			DRAWN: TOM
UNIT: mm [Inch]			CHKD: TARA
SHEET: 1 of 3			DATE: Nov.13,08
REV: 02			

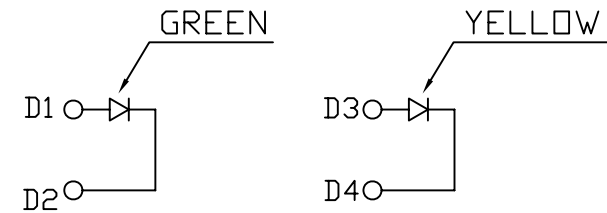
2. PCB LAYOUT :







SUGGESTED PCB LAYOUT
(TOP VIEW)

 DIMENSIONAL TOLERANCE: .XX ±0.08[0.003]

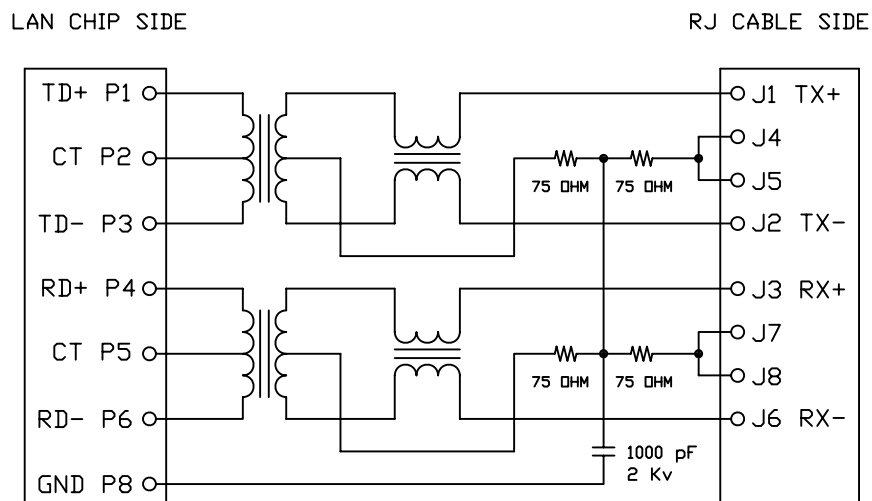
3. LED CONFIGURATION :



RoHS Compliant

			
X MULTIPLE USA 1420 Los Angeles Ave., Suite G, Simi Valley, CA 93065		G/NO:	
THIS DRAWING IS A CONTROLLED DOCUMENT.			
TITLE: RJ45, w/LED, with 10/100 Mbps Filter 8P,8C, Shielded, Thru Hole.		DWG NO: XRJH-01D-4-D12-170	
PART NO: XRJH-01D-4-D12-170		DRAWN: TOM	
		UNIT mm[Inch]	SHEET 2 of 3
		REV 02	DATE: Nov.13,08
		CHKD: TARA	

4. SCHEMATIC :



5. ELECTRICAL CHARACTERISTICS :

TEST NOTES:(25±5°C)

1.TR:(100KHz,0.1V);

PINS:(P1-P3):(J1-J2)=1:1±3%

PINS:(P4-P6):(J3-J6)=1:1±3%

2.LX:(100KHz,100mV,8mA, DC Bias)

PINS: (P1,P3),(P4,P6)=350uH MINIMUM

3.DCR:

PINS:(J1-J2),(J3-J6)= 1.2 OHMS MAXIMUM

4.HIPOT:

PINS(P1,P2,P3)TO(J1,J2)=1500VAC FOR 60 SECONDS

PINS(P4,P5,P6)TO(J3,J6)=1500VAC FOR 60 SECONDS

5.INSERTION LOSS:

-1.0dB MAXIMUM AT 0.3MHz TO 100MHz;

6.RETURN LOSS:

-20dB MINIMUM AT 1MHz TO 30MHz;

-15dB MINIMUM AT 30MHz TO 60MHz

-10dB MINIMUM AT 60MHz TO 80MHz

7.CROSS TALK:

-30dB MINIMUM AT 1MHz TO 100MHz

8.COMMON TO COMMON MODE REJECTION:

-30dB MINIMUM AT 1MHz TO 100MHz

XRJH-01D-4-D12-170

PRODUCT SERIES
XRJH : TAB UP AND STACKED

NUMBER OF PORTS
MECHANICAL TYPE
01D : XRJH 1 PORT, LENGTH=25.4mm,
STAGGERED PINS

LED COLOR OPTION

SPECIAL CODE
0 : STANDARD

SHIELDED TYPE
7 : EMI FINGER ON ALL SIDE

LED POLARITY
1 : +-, +-

CIRCUIT TYPE

RoHS Compliant

		CONNECTING THE INFORMATION AGE	
THIS DRAWING IS A CONTROLLED DOCUMENT.			
TITLE: RJ45, w/LED, with 10/100 Mbps Filter 8P,8C, Shielded, Thru Hole.		G/NO: DWG NO: XRJH-01D-4-D12-170	
PART NO: XRJH-01D-4-D12-170		DRAWN: TOM	
		UNIT mm[Inch]	SHEET 3 of 3
REV 02		DATE: Nov.13,08	