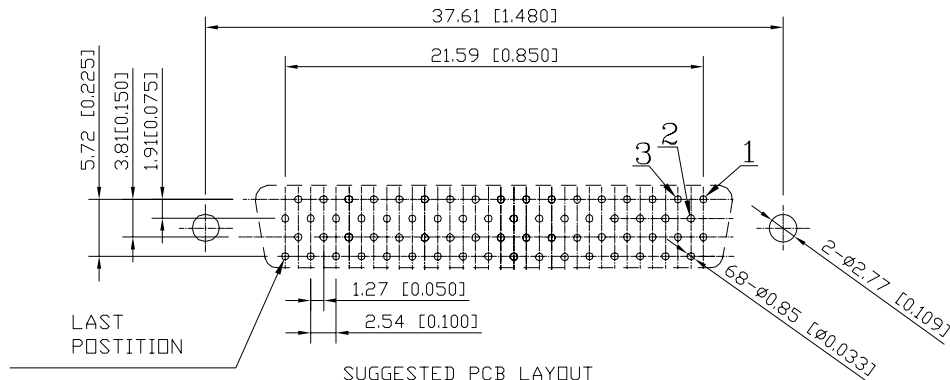
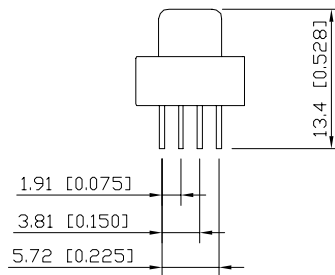
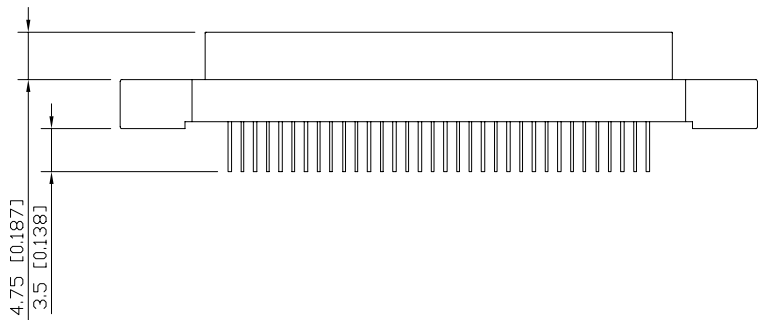


NOTE

1. MATERIALS
HOUSING: PLASTIC THERMOPLASTIC, PBT, UL94V-0, COLOR-BLACK
CONTACTS: PHOSPHOR BRONZE, GOLD FLASH PLATED
BRACKET: DIE-CAST ZINC NICKEL PLATED OVER COPPER
2. ELECTRICAL CHARACTERISTICS
CONTACT CURRENT RATING: 1 AMP
DIELECTRIC WITHSTANDING VOLTAGE: 500V AC
INSULATION RESISTANCE: 500MΩ/MIN
CONTACT RESISTANCE: 35MΩ/MAX
OPERATING TEMPERATURE: -55°C TO +105°C
3. UNSPECIFIED TOLERANCE: .XX ±0.25[0.010]
.X ±0.30[0.012]



SUGGESTED PCB LAYOUT
TOP VIEW
DIMENSIONAL TOLERANCE: .XX ±0.08[0.003]

RoHS Compliant

		CONNECTING THE INFORMATION AGE	
		G/NO:	
X MULTIPLE ASIA 4F, No. 347, Yang Guang St., Neihu, Taipei, Taiwan 11475		X MULTIPLE USA 1420 Los Angeles Ave., Suite G, Simi Valley, CA 93065	
THIS DRAWING IS A CONTROLLED DOCUMENT.			
TITLE:		1.27MM(050") RIBBON 68PDS RECEPTACLES VERTICAL TYPE	
PART NO:		XSCS-68FS31-SCS	
		UNIT	SHEET
		mm[inch]	1 of 1
		REV	01
		DATE:	Jul.23,09

DWG NO:
XSCS-68FS31-SCS
DRAWN:
IVAN
CHKD:
TARA