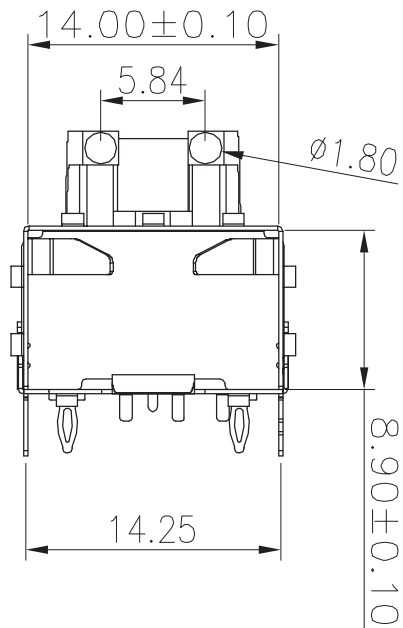
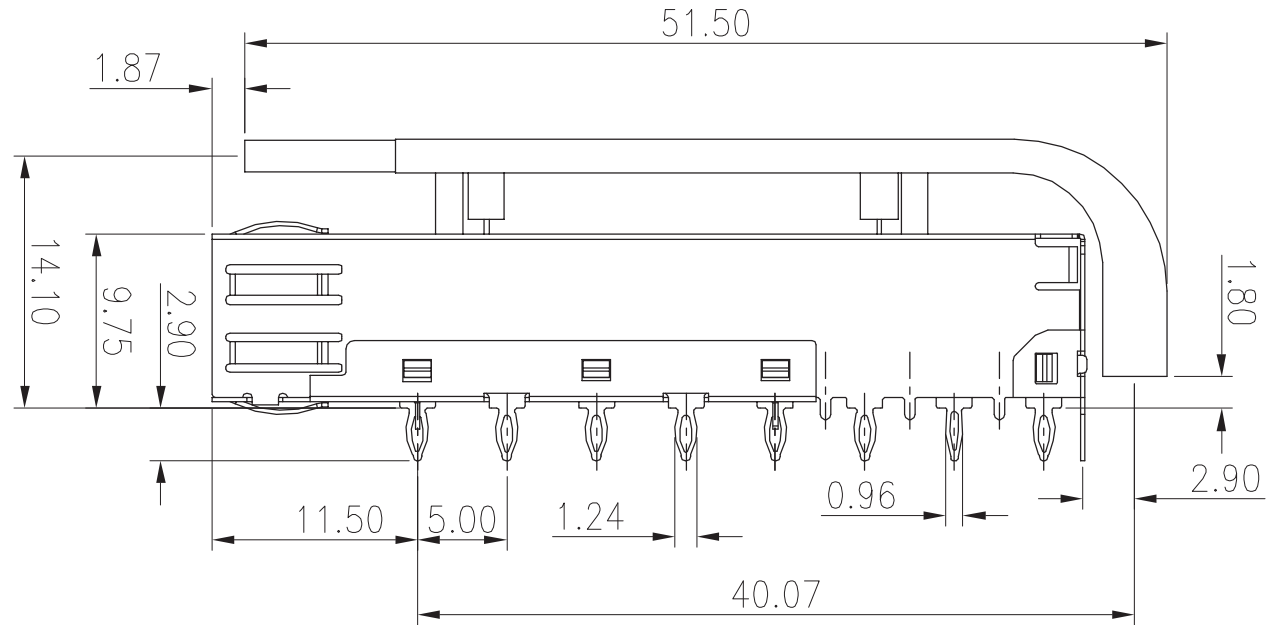
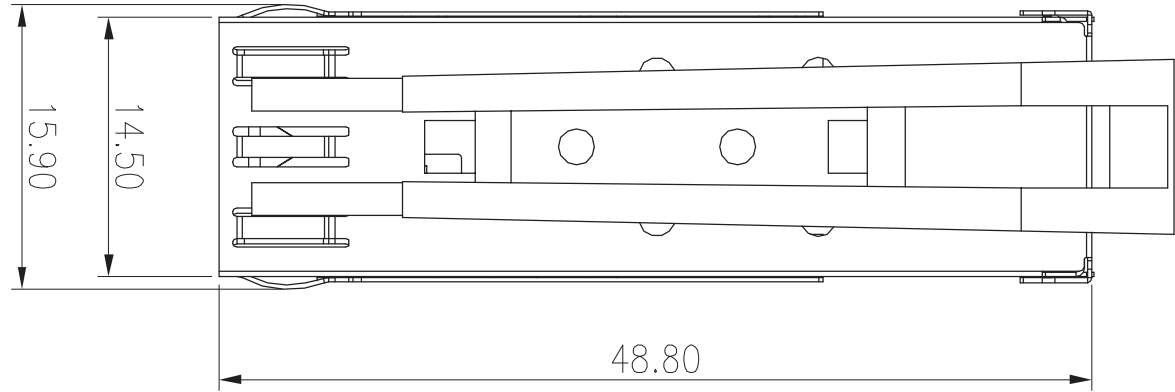


REV.	ECN	DESCRIPTION	APPROVED
A	XXXX	RELEASE TO CUSTOMER.	SKY 04/08/07



NOTE:

1, DESCRIPTION	Q'ty	MATERIAL
01 SFP TOP CAGE (Non-Logo)	1PCS	COPPER ALLOY
02 SFP BOTTOM CAGE	1PCS	COPPER ALLOY
03 LIGHT PIPE	1PCS	PC

2, TEMPERATURE:  
 OPERATION: -55°C~+105°C  
 STORAGE: -55°C~+105°C  
 3, PART NUMBER: K869-00-Y031

UNLESS OTHERWISE SPECIFIED TOLERANCES				Xmultiple							
.X	+/- 0.35	°	+/- 3.0°	DRAWING FILE : TITLE: CUSTOMER DRAWING DESCRIPTION: SFP 1X1 CAGE W/LIGHT PIPE							
.XX	+/- 0.25	°	+/- 2.0°								
.XXX	+/- 0.15	°	+/- 1.0°								
DRAWING FILE :				DRAWN		SIZE		DRAWING NO.		REV.	
FOR MATERIALS AND FINISHES SEE NOTES				PING LI		A4		C SFP-AA-YD20X		A	
PROJECTION				CHECKED		SCALE		SHEET		1 OF 2	
UNIT				SKY WANG		NONE		1		2	
MM				04/08/07		04/08/07		04/08/07		04/08/07	

