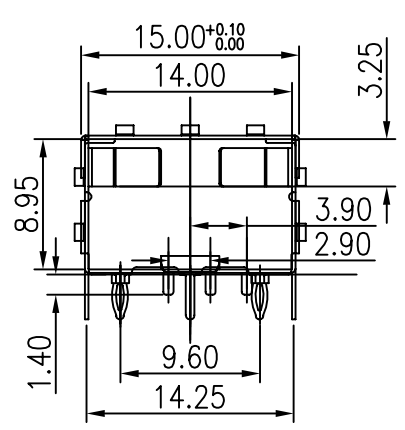
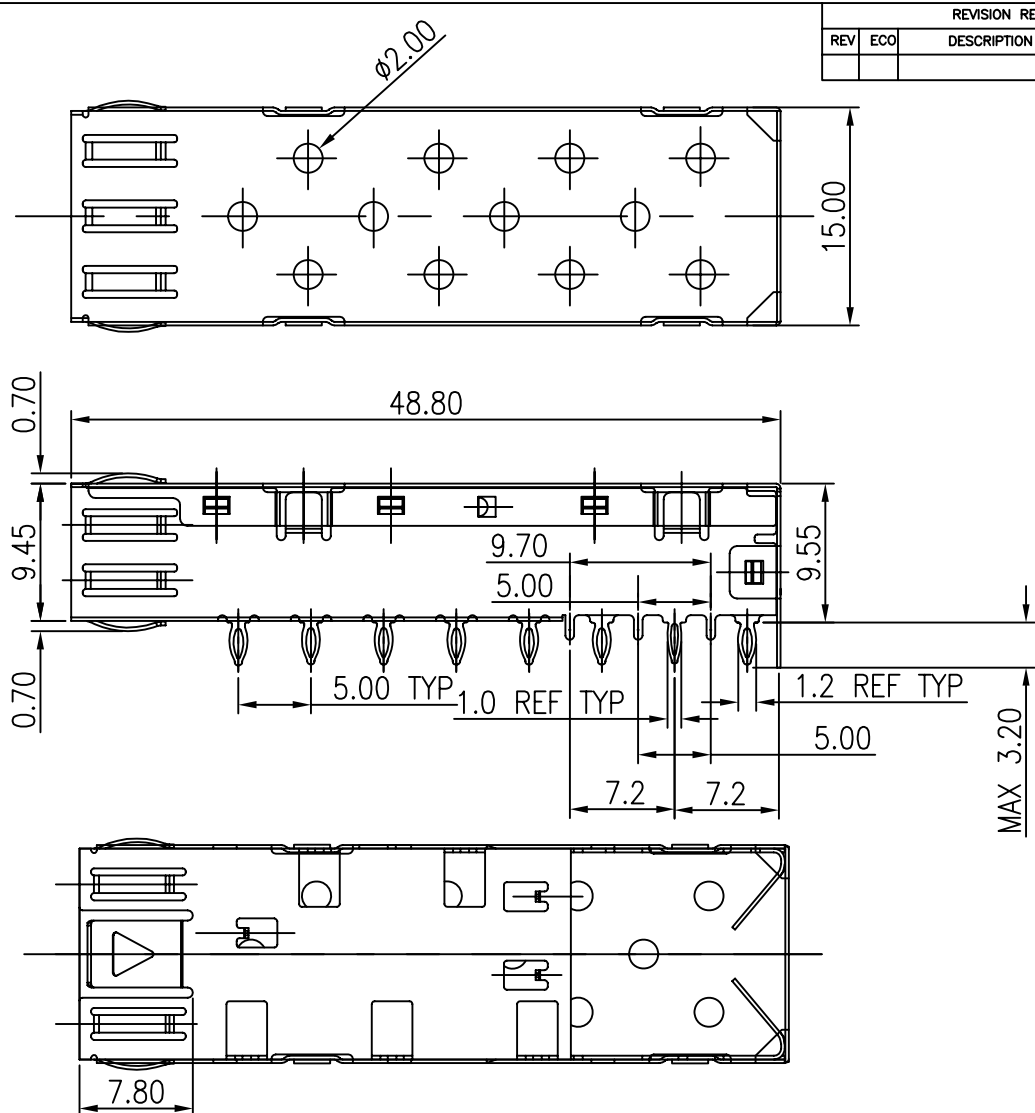


REVISION RECORD				
REV	ECO	DESCRIPTION	DRFT	CHKD



NOTE:

- | | | |
|----------------------------|---------------------|------------|
| 1. DESCRIPTION | MATERIAL | PLATING |
| (1) SFP TOP CAGE | COPPER ALLOY T=0.25 | Ni FOR ALL |
| (2) SFP BOTTOM CAGE | COPPER ALLOY T=0.25 | Ni FOR ALL |
| 2. TEMPERATURE: | | |
| OPERATION: -40° C ~ +85° C | | |
| STORAGE: -40° C ~ +85° C | | |
| 3. RoHS COMPLIANT | | |
| 4. PART NUMBER : SFP001-L | | |

DETACHED LISTS	MM (INCH)	DFTO JERRY	DATE 09/28/07
	TOLERANCES EXCEPT AS NOTED	CHKD ANDY	DATE 09/28/07
		MFO	DATE
	MM	APPVL ALANN	DATE 09/28/07
	.0 ±0.20		
.00 ±0.15			
.000 ±0.075			
ANGLES ±	QT'Y :		
THIRD ANGLE PROJECTION	FINISH :		
	SCALE :		

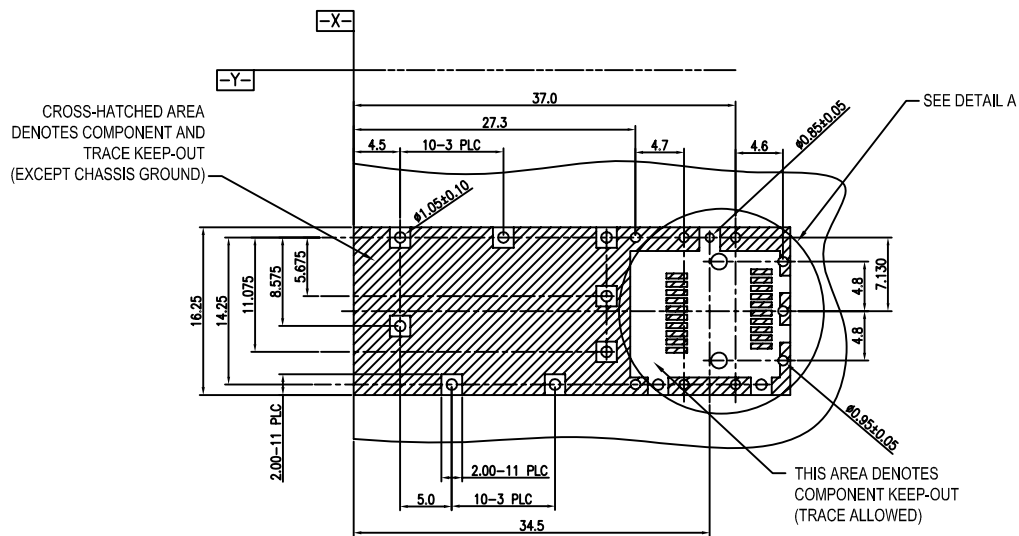
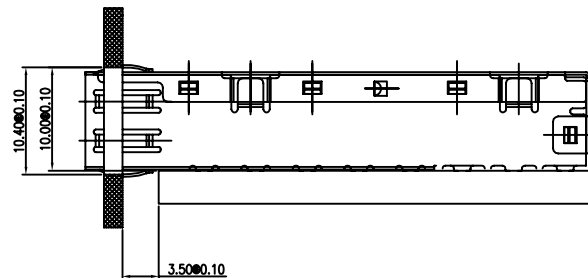
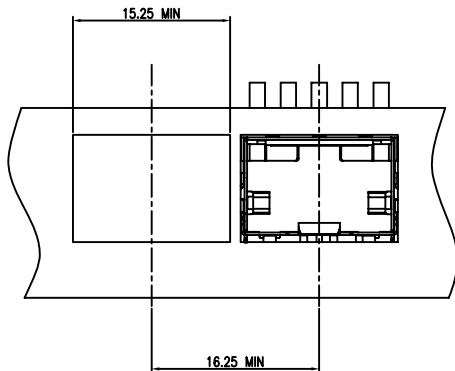
Xmultiple Technologies, Inc.

TITLE
SFP CAGE 1 PORT,PRESS-FIT

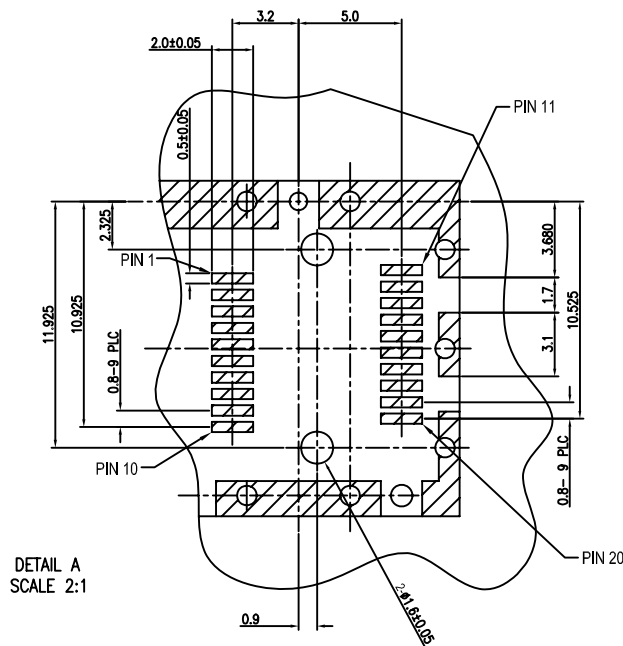
DRAWING NO. SFP-001 SIZE A3 REV O
/PART NO. SEE NOTE

DO NOT SCALE DRAWING SHEET X OF Y

REVISION RECORD				
REV	ECO	DESCRIPTION	DRFT	CHKD



PCB LAYOUT THICKNESS=3.0mm (TOP VIEW)



← MM →		DFTO JERRY	DATE 09/28/07
(INCH)		CHKD ANDY	DATE 09/28/07
TOLERANCES EXCEPT AS NOTED		MFO	DATE
MM	±	APPVL ALAWN	DATE 09/28/07
.0	±0.20	MATERIAL :	
.00	±0.15	QT'Y :	
.000	±0.075	FINISH :	
ANGLES ±		SCALE :	
THIRD ANGLE PROJECTION		DO NOT SCALE DRAWING	

Xmultiple Technologies, Inc.

TITLE
SFP CAGE 1 PORT,PRESS-FIT

DRAWING NO. SFP-001
/PART NO. SEE NOTE

SIZE A3
REV 0

SHEET X OF Y

8

7

6

5

4

3

2

1

A

C

D

E

F

G

H