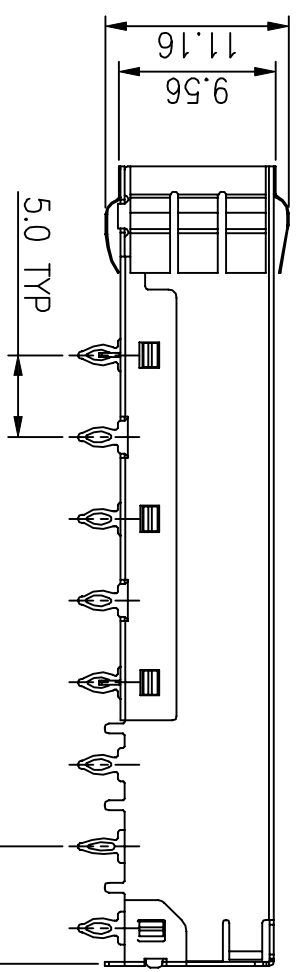
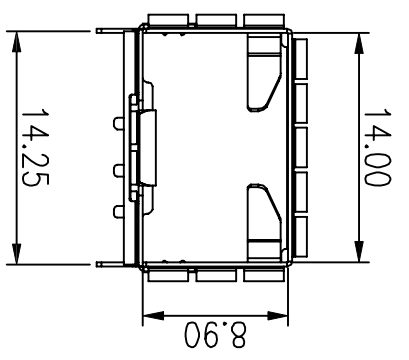
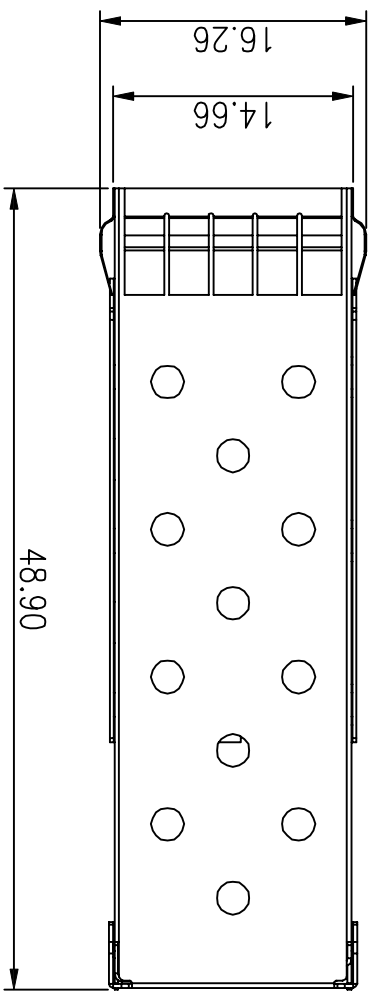


REVISION RECORD				
REV	ECD	DESCRIPTION	DRFT	CHKD

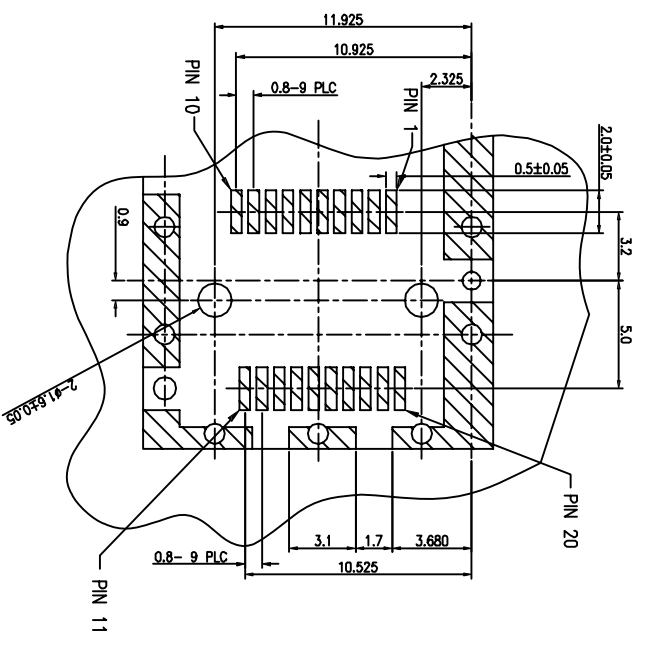
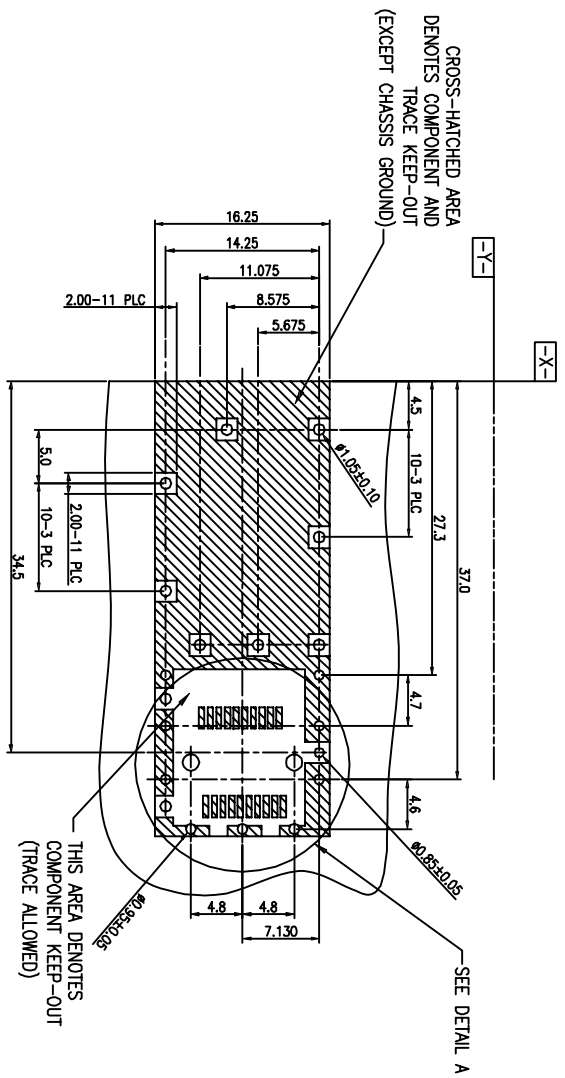
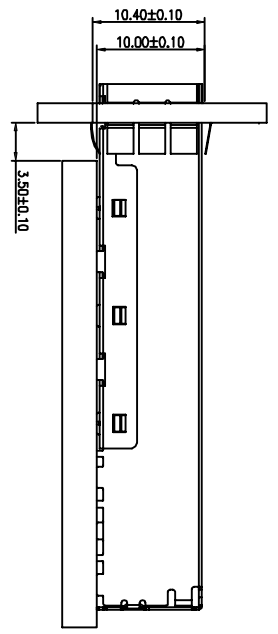
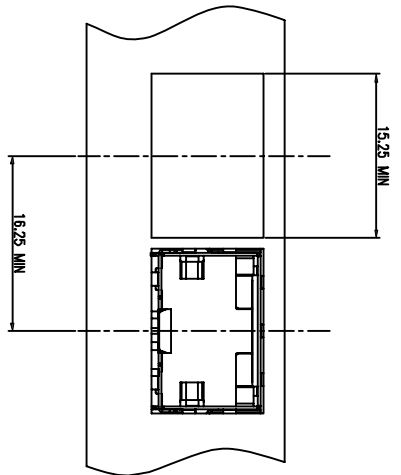


- NOTE:
- |                    |            |
|--------------------|------------|
| 1, DESCRIPTION     | PLATING    |
| 01 SFP TOP CAGE    | Ni FOR ALL |
| 02 SFP BOTTOM CAGE | Ni FOR ALL |
| 03 SFP EMI CLIP    | Ni FOR ALL |
- 2, TEMPERATURE:  
 OPERATION: -40°C ~ +85°C  
 STORAGE: -40°C ~ +85°C
- 3, ROHS COMPLIANT  
 4, PART NUMBER : XSFP005A-L

DETACHED LISTS			
MIN	MAX	DATE	12/19/07
TOLERANCES EXCEPT AS NOTED			
MM		DATE	12/19/07
0 ± 0.20	±	DATE	
.00 ± 0.075	±	DATE	
ANGLES ±			
THIRD ANGLE PROJECTION			
DR TO DRZ	DATE	DATE	
CHKD	DATE	DATE	
APP'VL	ALM	DATE	12/19/07
MATERIAL :			
QT'Y :			
FINISH:			
SCALE :			
TITLE			
SFP CAGE 1 PART W/CLIP			
DRAWING NO. SFP-005A			
/PART NO. SEE NOTE			
DD NOT SCALE DRAWING	SHEET X	OF Y	

8 7 6 5 4 3 2 1

REVISION RECORD				
REV	ECD	DESCRIPTION	DRFT	CHKD



PCB LAYOUT THICKNESS=3.0mm (TOP VIEW)

DETAIL A  
SCALE 2:1

DETACHED LISTS

QTY	UNIT	DATE	BY

DATE	12/18/07
CHKD	ALAN
DATE	
DATE	
APPRV	
DATE	12/19/07

TITLE

SFP CAGE 1 PART W/CLIP

DRAWING NO. SFP-005A

PART NO. SEE NOTE

DD NOT SCALE DRAWING

SIZE A3

REV 0

8 7 6 5 4 3 2 1