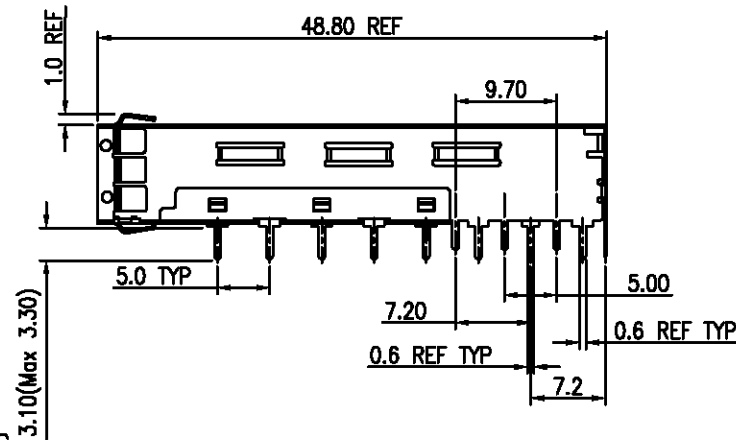
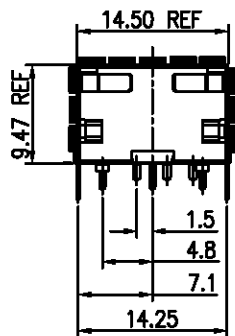
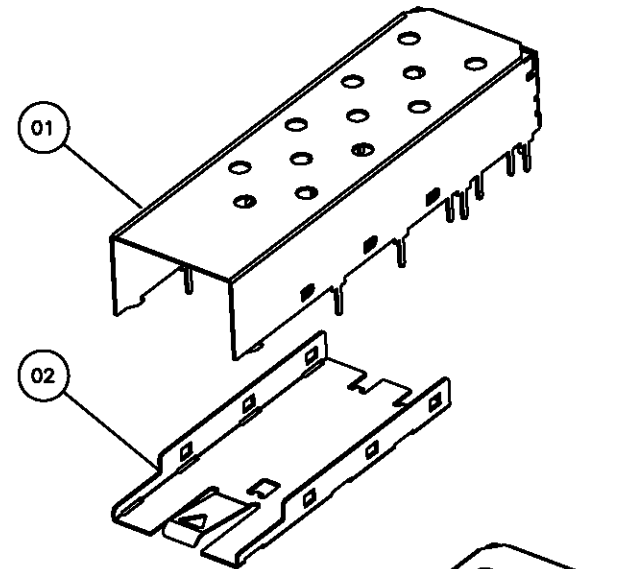
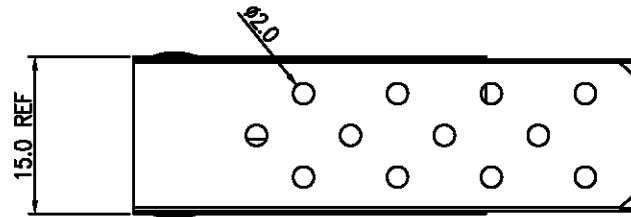


REVISION RECORD				
REV	ECO	DESCRIPTION	DRFT	CHKD



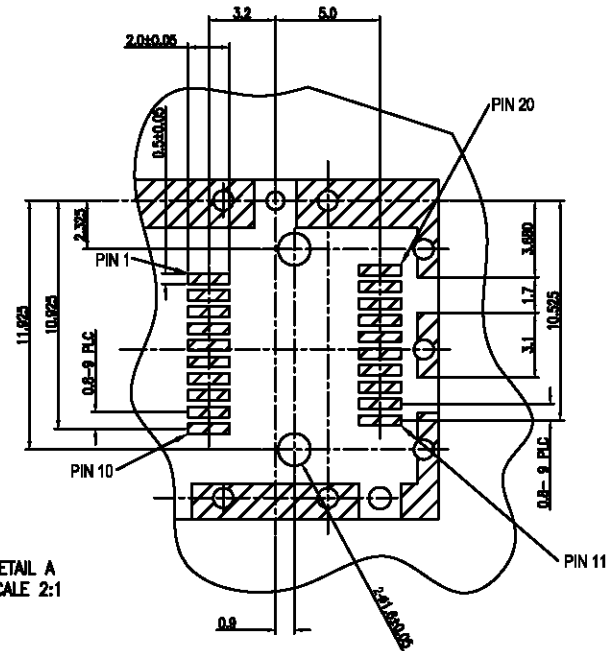
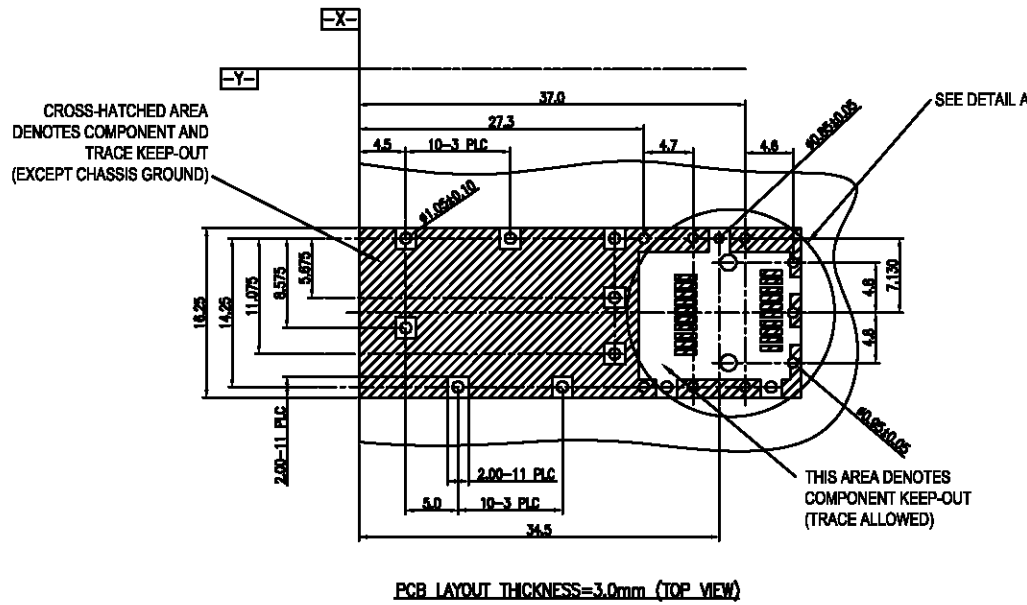
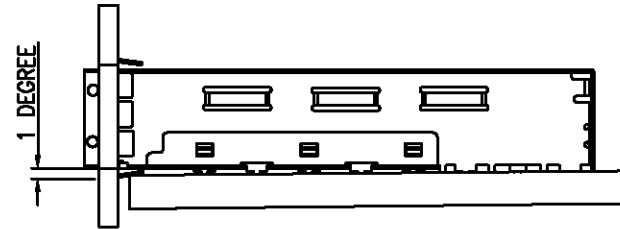
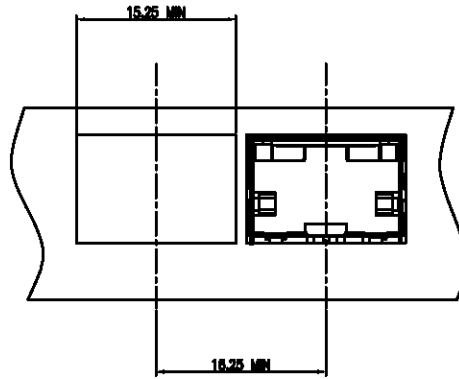
NOTE:

- | | |
|---------------------------|-------------------|
| 1, DESCRIPTION | PLATING |
| 01 SFP TOP CAGE | Bright Ni FOR ALL |
| 02 SFP BOTTOM CAGE | Bright Ni FOR ALL |
| 2, TEMPERATURE: | |
| OPERATION: -40°C~ +85°C | |
| STORAGE: -40°C~ +85°C | |
| 3, RoHS COMPLIANT | |
| 4, PART NUMBER : SFP005-L | |

UNITS (INCH) TOLERANCES EXCEPT AS NOTED .0 ±0.20 .00 ±0.15 .000 ±0.075 ANGLES ± THIRD ANGLE PROJECTION	DRFTD CRZ	DATE 12/18/07	XMULTIPLE TITLE SFP+ CAGE 1 PORT W/CLIP	
	CHKD	DATE		
	MFD	DATE	DRAWING NO. SFP-005	
	APPRL. NAME	DATE 12/18/07	/PART NO. SEE NOTE	
MATERIAL :		QTY :	SIZE A3	REV 0
FINISH :		SCALE :	DO NOT SCALE DRAWING	
SHEET X		OF Y		

H
G
F
E
D
C
B
A

REVISION RECORD				
REV	ECO	DESCRIPTION	DRFT	CHKD



DETACHED LIST ← MM → (INCH) TOLERANCES EXCEPT AS NOTED .0 ±0.30 ± .00 ±0.15 ± .000 ±0.075 ± ANGLES ± THIRD ANGLE PROJECTION	DFTD/CHKD	DATE 12/18/07	<h1 style="margin: 0;">XMULTIPLE</h1>	
	CHKD	DATE		
	MFO	DATE	TITLE SFP+ CAGE 1 PORT W/CLIP	
	APPVL. NAME	DATE 12/18/07		
MATERIAL :		QT'Y :	DRAWING NO. SFP-005	SIZE A3
FINISH :		SCALE :	/PART NO. SEE NOTE	
DO NOT SCALE DRAWING		SHEET X		OF Y