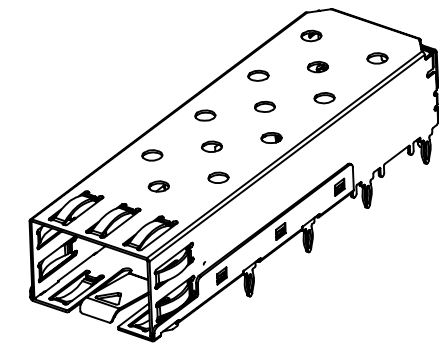
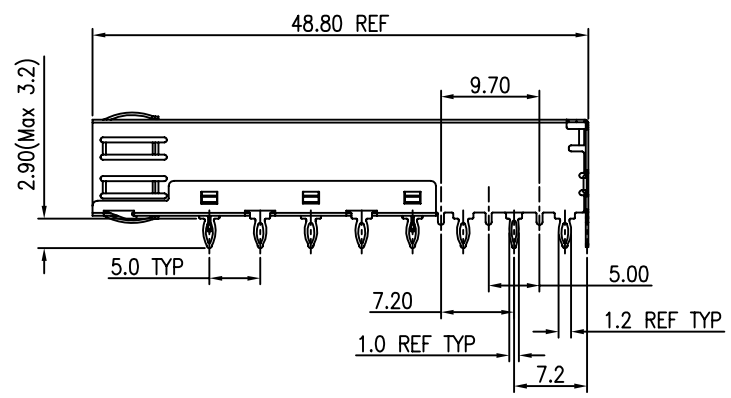
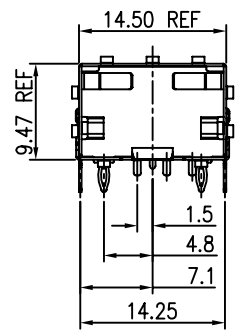
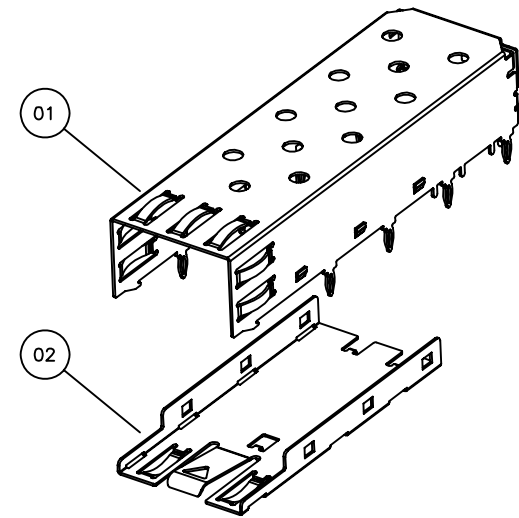
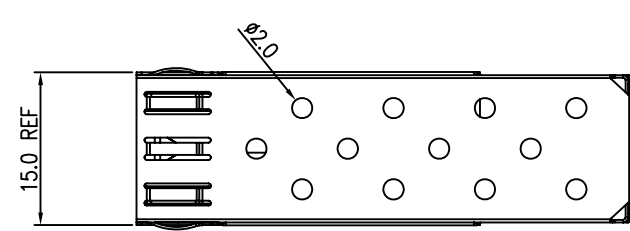


REVISION RECORD				
REV	ECO	DESCRIPTION	DRFT	CHKD

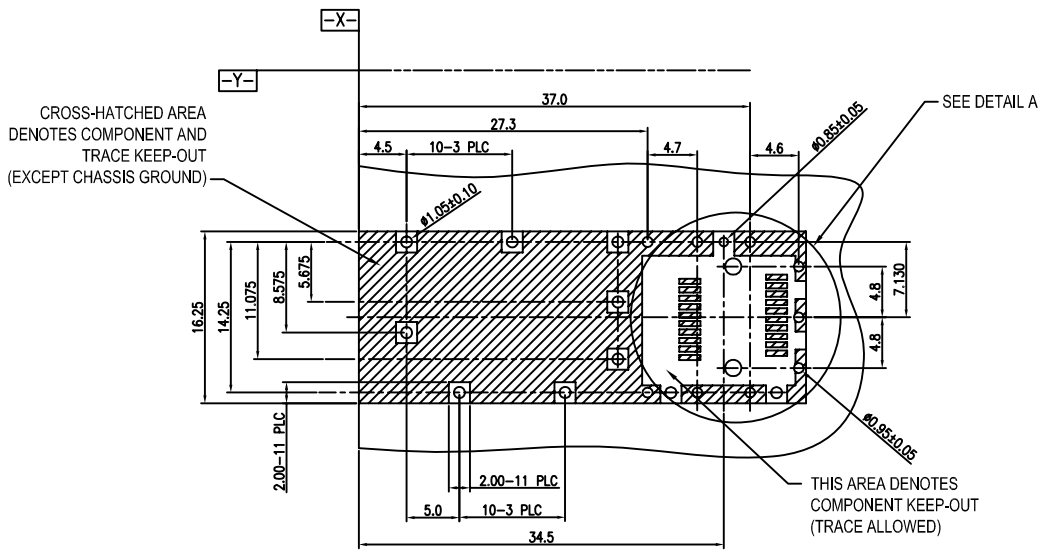
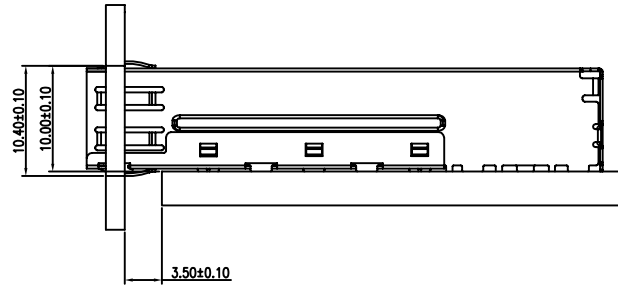
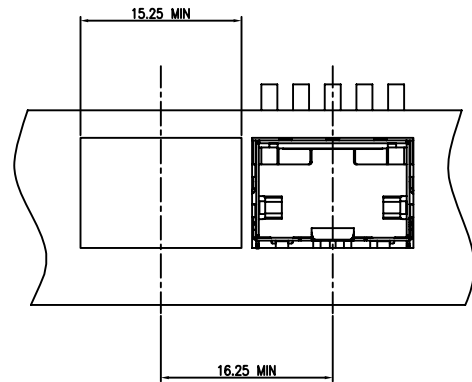


NOTE:

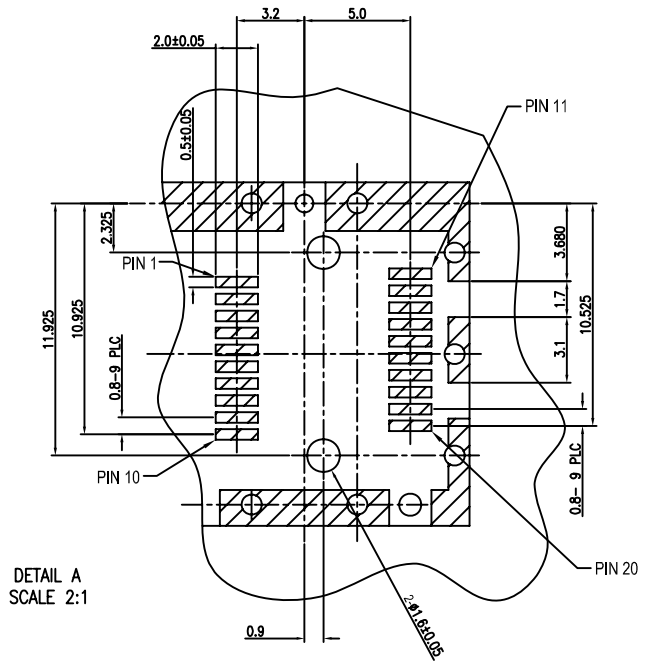
- |                               |              |            |
|-------------------------------|--------------|------------|
| 1. DESCRIPTION                | MATERIAL     | PLATING    |
| 01 SFP TOP CAGE (Non-Logo)    | Copper Alloy | Ni FOR ALL |
| 02 SFP BOTTOM CAGE (Non-Logo) | Copper Alloy | Ni FOR ALL |
2. TEMPERATURE:  
 OPERATION: -40°C~ +85°C  
 STORAGE: -40°C~ +85°C
3. RoHS COMPLIANT
4. PART NUMBER : SFP011

DETACHED LISTS	MM (INCH)	DFTO JREY	DATE 08/15/06	Xmultiple Technologies, Inc.	
	TOLERANCES EXCEPT AS NOTED	CHKD	DATE		
		MFO	DATE		
		APPVL	DATE		
	MM	±	MATERIAL :	TITLE SFP CAGE 1 PORT	
	.0 ±0.20	±	QT'Y :		
	.00 ±0.15	±	FINISH :		
	.000 ±0.075	±	SCALE :	DRAWING NO. SFP-011	
	ANGLES ±			/PART NO. SEE NOTE	
	THIRD ANGLE PROJECTION			DO NOT SCALE DRAWING	SIZE A3
				SHEET X	REV O
				OF Y	

REVISION RECORD				
REV	ECO	DESCRIPTION	DRFT	CHKD



PCB LAYOUT THICKNESS=3.0mm (TOP VIEW)



DETACHED LISTS	← MM (INCH) →		DFTO JOHN	DATE 08/15/06	Xmultiple Technologies, Inc.	
	TOLERANCES EXCEPT AS NOTED		CHKD	DATE		
	MM	±	MFO	DATE	TITLE	
	.0 ±0.20	±	APPVL	DATE		
	.00 ±0.15	±	MATERIAL :		SFP CAGE 1 PORT	
.000 ±0.075	±	QT'Y :				
ANGLES ±		FINISH :		DRAWING NO. SFP-011		
THIRD ANGLE PROJECTION		SCALE :		/PART NO. SEE NOTE		
				DO NOT SCALE DRAWING		

Xmultiple Technologies, Inc.

TITLE

SFP CAGE 1 PORT

DRAWING NO. SFP-011	SIZE A3	REV 0
/PART NO. SEE NOTE		
DO NOT SCALE DRAWING		SHEET X OF Y