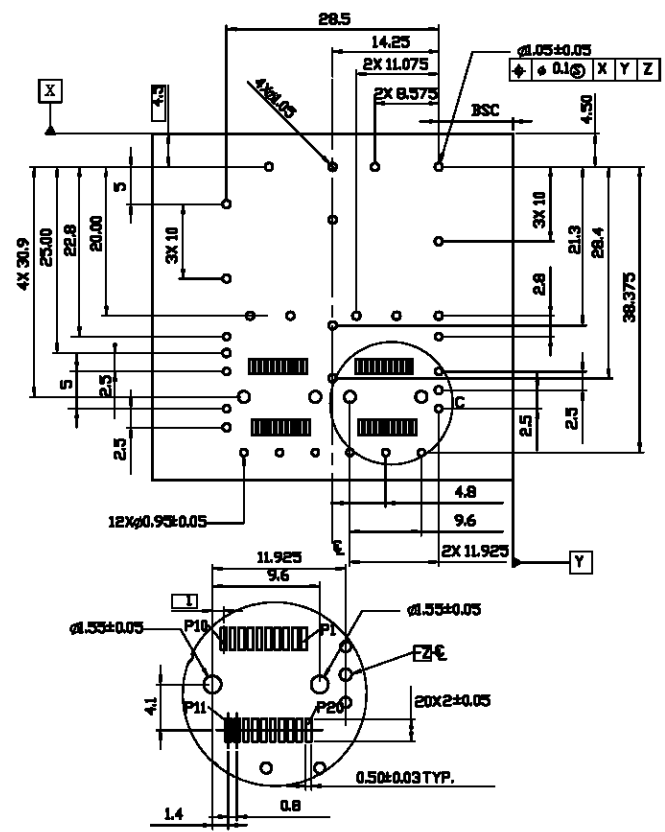
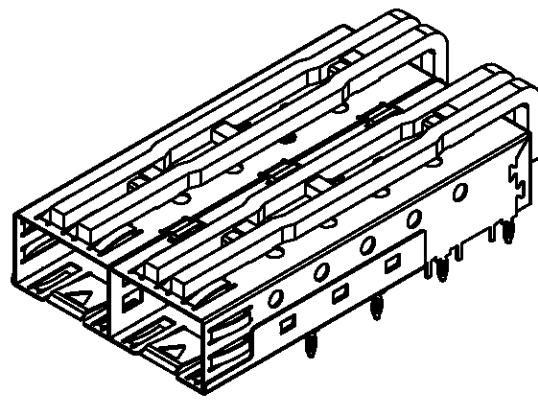
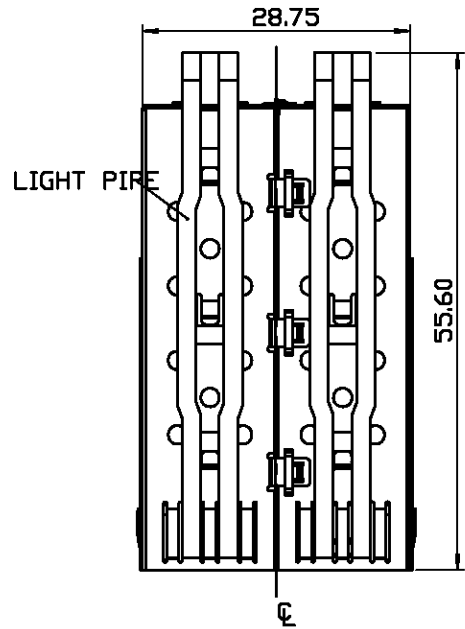
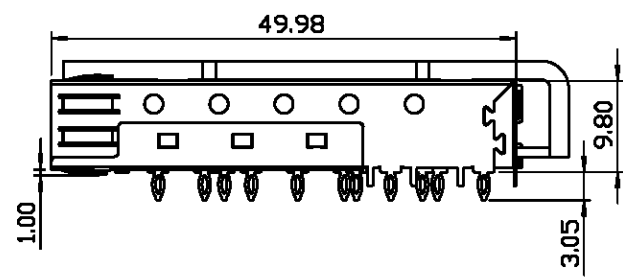
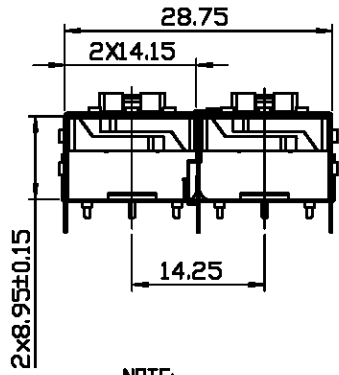


REVISION RECORD				
REV	ECD	DESCRIPTION	DRFT	CHKD



DETAIL C
SCALE 3X
PCB LAYOUT THICKNESS=30um (TOP VIEW)



- NOTE:**
- | | | |
|--------------------|----------|----------------|
| 1. DESCRIPTION | MATERIAL | PLATING |
| 01 SFP TOP CAGE | SUS | NICKEL PLATING |
| 02 SFP BOTTOM CAGE | SUS | NICKEL PLATING |
| 03 LIGHT PIPE | PC | |
2. TEMPERATURE:
 OPERATION: -40°C~ +85°C
 STORAGE: -40°C~ +85°C
3. RoHS COMPLIANT
4. PART NUMBER : SFP012L

TOLERANCES EXCEPT AS NOTED MM .1 ± 0.20 .00 ± 0.15 .000 ± 0.075 ANGLES ± THIRD ANGLE PROJECTION	DFTD MM/7 CHKD MFD APPVL MATERIAL QT'Y FINISH SCALE	DATE 05/16/19 DATE DATE DATE DATE DATE	Xmultiple Technologies, Inc.		
	TITLE SFP CAGE 1x2 PORT WITH LIGHT PIPE			SIZE A3	REV 0
	DRAWING NO. SFP-012L /PART NO. SEE NOTE			DO NOT SCALE DRAWING SHEET X OF Y	
	ATTACHED LISTS				