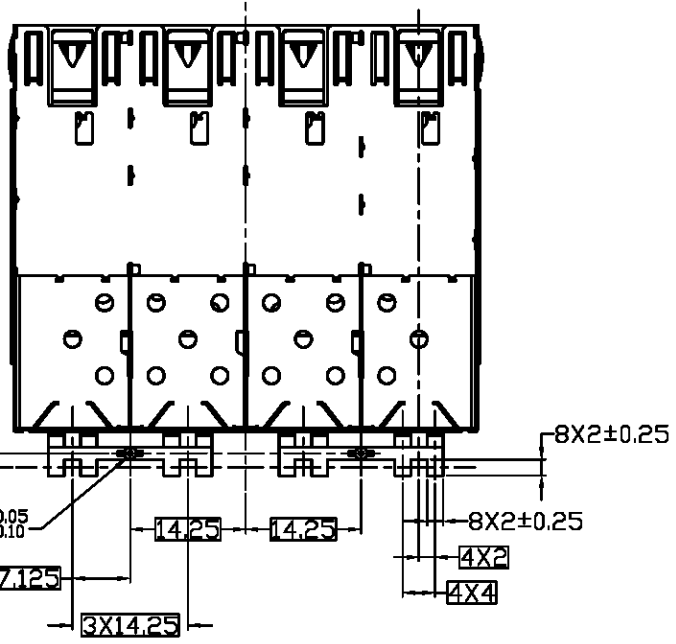
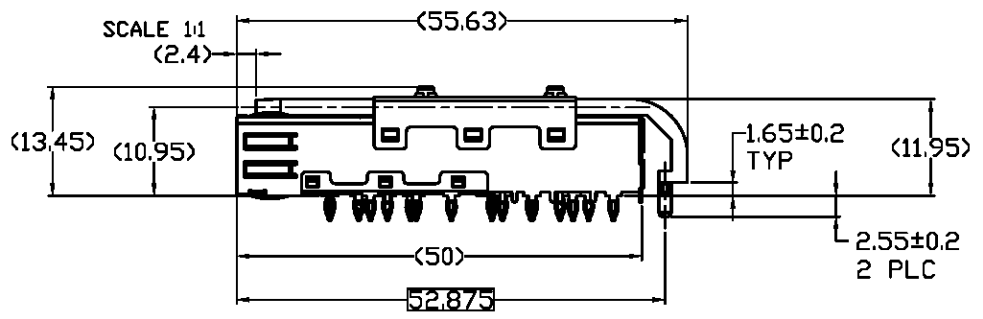
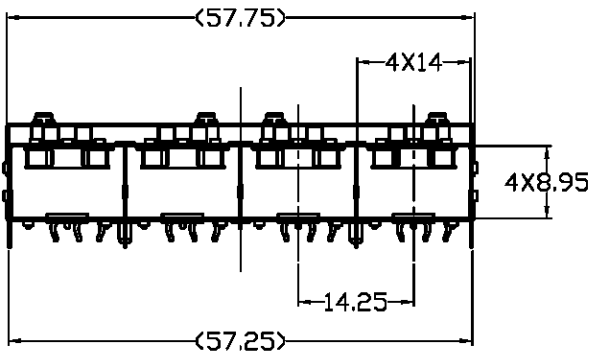
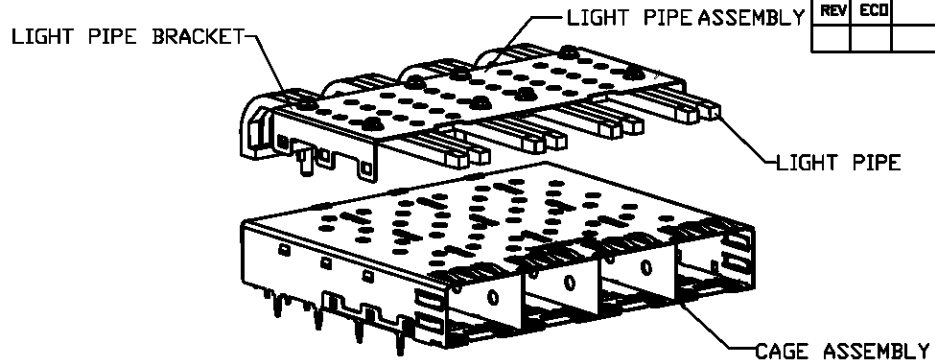


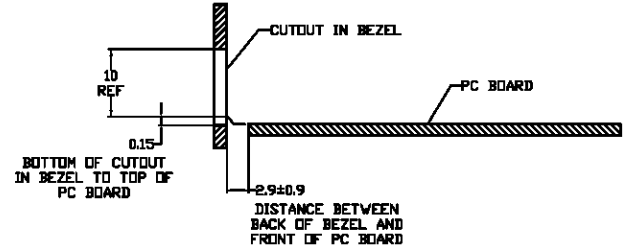
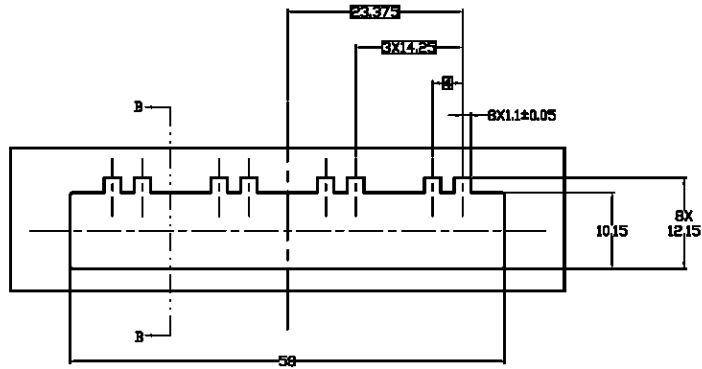
| REVISION RECORD | | | | |
|-----------------|-----|-------------|------|------|
| REV | ECO | DESCRIPTION | DRFT | CHKD |
| | | | | |



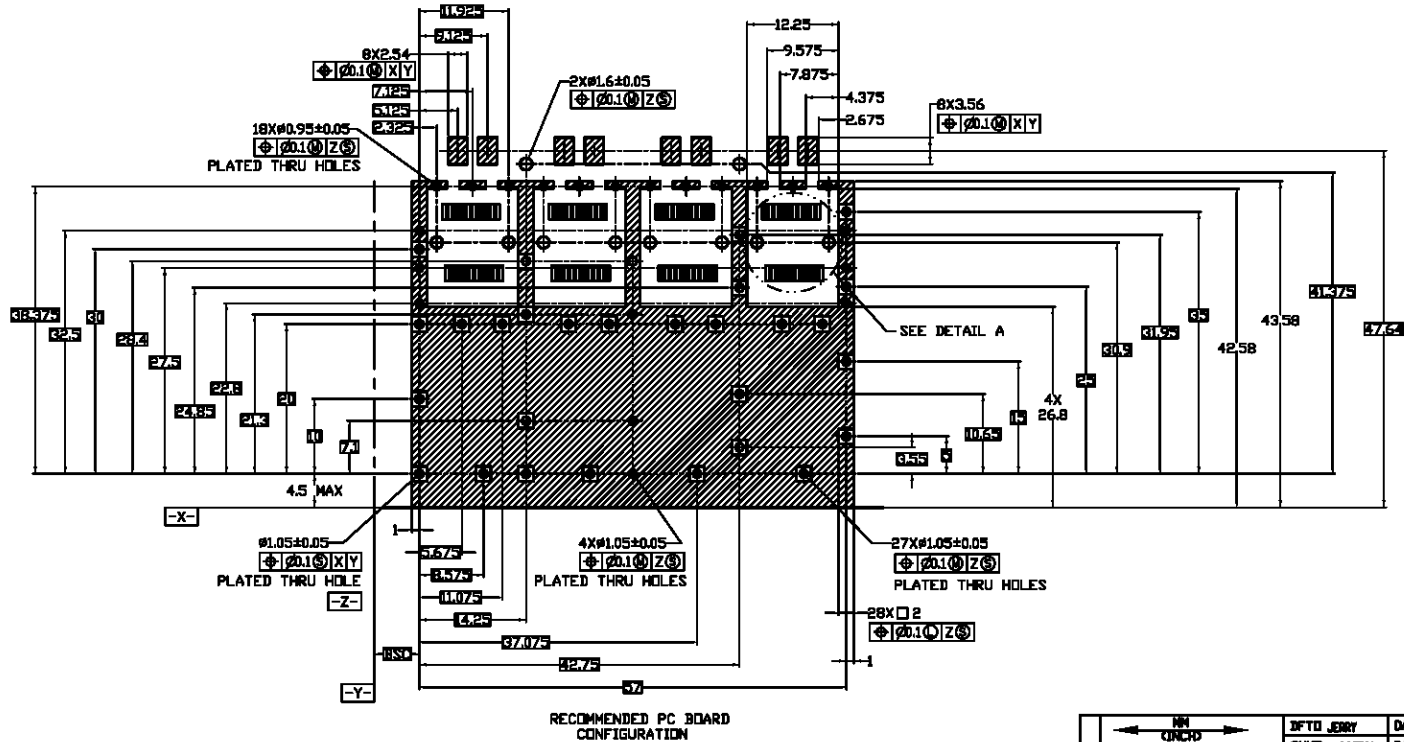
NOTE:
 1, MECHANICAL:
 SHIELD(CAGE) MATERIAL:
 1. CAGE: COPPER ALLOY, THICKNESS=0.25mm.
 2. LIGHT PIPE BRACKET: COPPER ALLOY.
 3. LIGHT PIPE: PC UL 94V-0
 2, TEMPERATURE:
 OPERATION: -55°C ~ +85°C
 STORAGE: -55°C ~ +85°C
 PART NUMBER: SFP014LD

| | | | |
|------------------------|----------------------------|-----------------------|------------------------------|
| DETACHED LISTS | DRG CHCKD | DATE 12/11/11 | Xmultiple Technologies, Inc. |
| | TOLERANCES EXCEPT AS NOTED | DATE 12/11/11 | |
| | DRG CHCKD ANDY | DATE 12/11/11 | TITLE |
| | APPV/LALANN | DATE 12/12/11 | SFP CAGE 1X4 WITH LIGHT PIPE |
| MATERIAL | QT'Y | DRAWING NO. SFP-014LC | SIZE A3 |
| ANGLES | FINISH | /PART NO. SEE NOTE | REV |
| THIRD ANGLE PROJECTION | SCALE | DO NOT SCALE DRAWING | SHEET X OF Y |

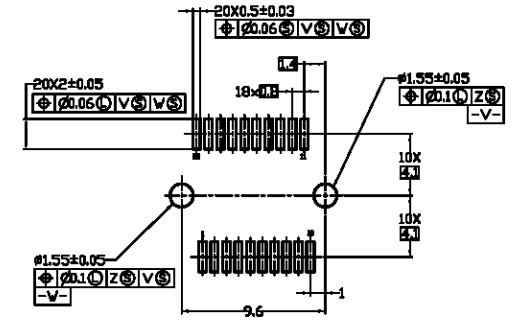
| REVISION RECORD | | | | |
|-----------------|-----|-------------|------|------|
| REV | ECD | DESCRIPTION | DRFT | CHKD |
| | | | | |



SECTION B-B
SCALE 1:1



RECOMMENDED PC BOARD
CONFIGURATION



DETAIL A
SCALE 2:1

| | | | | | | |
|---|---|--|--|--|------------|----------|
| TOLERANCES EXCEPT AS NOTED MM ± 0.25 MM ± 0.25 MM ± 0.075 ANGLES ± THRU ANGLE PROJECTION | INCH TOLERANCES EXCEPT AS NOTED INCH ± 0.005 INCH ± 0.005 INCH ± 0.0025 | DFTD JERRY CHKD ANDY NFO APPVALANN MATERIAL QT'Y FINISH SCALE | DATE 12/10/11 DATE 12/11/11 DATE 12/12/11 DATE 12/12/11 | Xmultiple Technologies, Inc. TITLE SFP CAGE 1X4 WITH LIGHT PIPE DRAWING NO. SFP-014LD /PART NO. SEE NOTE DO NOT SCALE DRAWING | SIZE A3 | REV 0 |
| | SHEET X OF Y | SHEET X OF Y | SHEET X OF Y | | | |
| | SHEET X OF Y | SHEET X OF Y | SHEET X OF Y | | | |
| | SHEET X OF Y | SHEET X OF Y | SHEET X OF Y | | | |