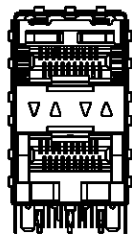
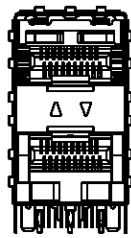


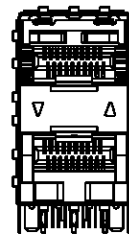
REVISION RECORD				
REV	ECO	DESCRIPTION	DRFT	CHKD



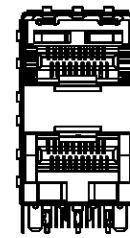
PART NUMBER
SFP021BL



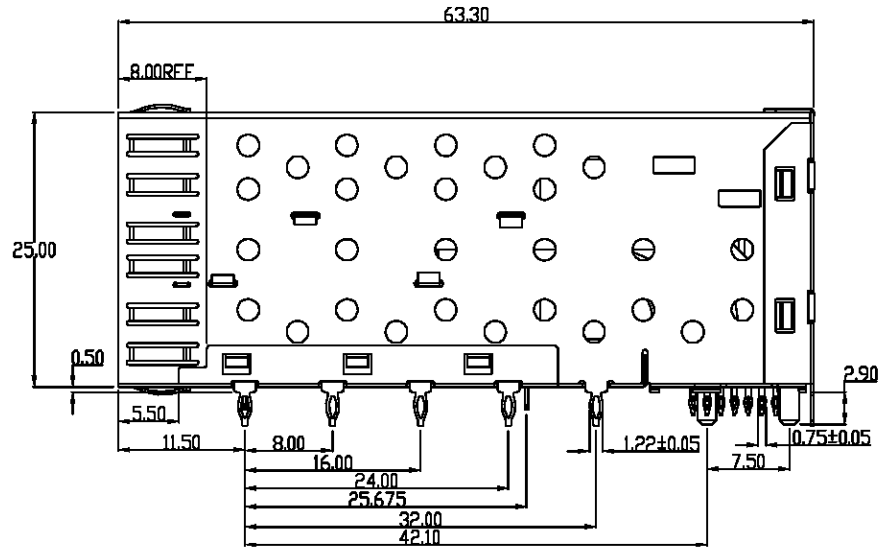
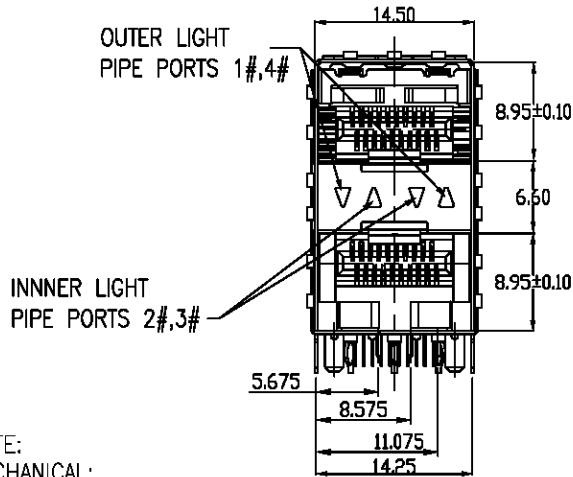
PART NUMBER
SFP021BL2



PART NUMBER
SFP021BL1



PART NUMBER
SFP021B



NOTE:
MECHANICAL:

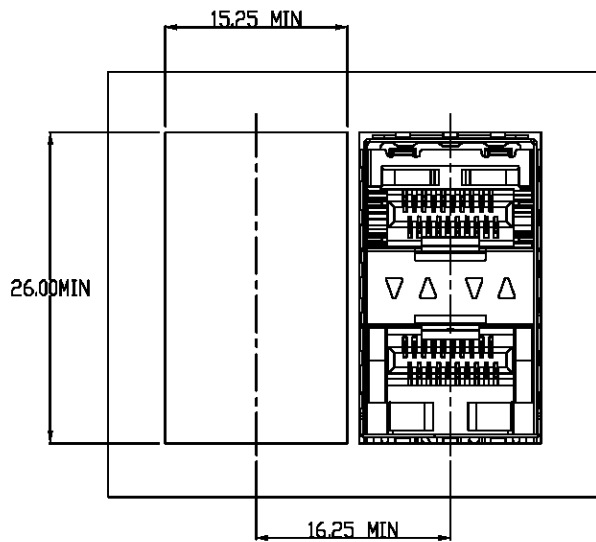
- CONTACT: COPPER ALLOY T=0.20mm.
- HOUSING: HIGH TEMPERATURE THERMOPLASTIC
GLASS FILLED UL 94V-0. COLOR: BLACK.
- CAGE: COPPER ALLOY T=0.25mm.
- CONTACT AREA : PLATING GOLD 15u"MIN OVER 50~80u" NICKLE AMECHANICAL REQUIREMENT:
- DURABILITY: 100 CYCLES MIN.
- INSERTION AND EXTRACTION FORCE: 40N MAX & 11.5N MAX

ENVIRONMENTAL:

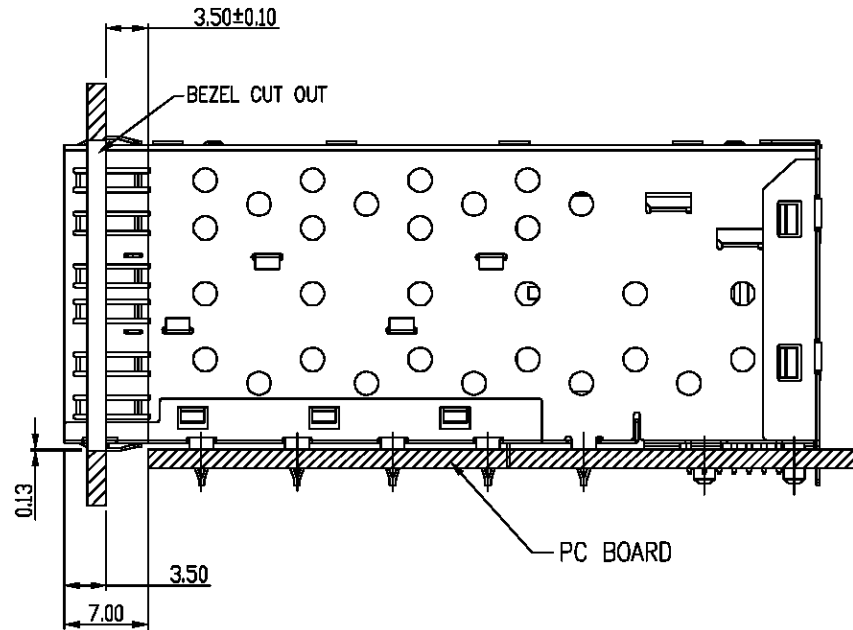
- CONTACT RESISTANCE: 20 MILLIOHMS MAX INITIAL.
- DIELECTRIC WITHSTANDING VOLTAGE: 300V AC/MIN.
- OPERATION: -40°C~ +85°C
- STORAGE: -40°C~ +85°C
- ROHS COMPLIANT

DETACHED LISTS	← CHCKD →	IFTD JERRY	DATE 09/19/06	XMULTIPLE	
	TOLERANCES EXCEPT AS NOTED	CHKD ANDY	DATE 09/19/06		
	MM ± 0.20	MFO	DATE		
	.01 ± 0.13	APPV/LALANN	DATE 09/20/06		
MM ± 0.075	MATERIAL :			TITLE	
ANGLES ±	QTY :			SFP CAGE 2X1 PORT	
THIRD ANGLE PROJECTION	FINISH:			DRAWING NO. SFP-021B	SIZE A3
	SCALE :			/PART NO. SEE NOTE	REV 0
				DO NOT SCALE DRAWING	SHEET X OF Y

REVISION RECORD				
REV	ECD	DESCRIPTION	DRFT	CHKD

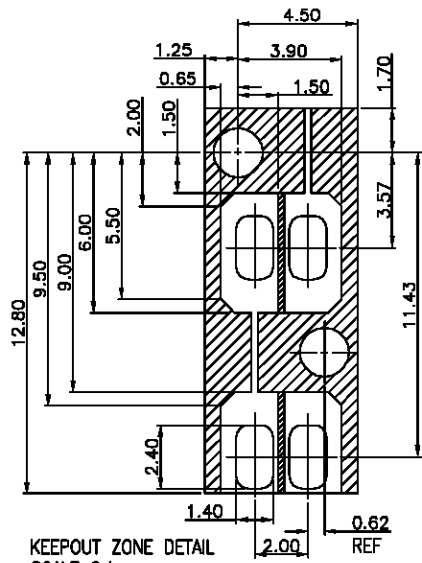


BEZEL CUT-OUT CENTER SPACING DETAIL
BEZEL THICKNESS:0.8-2.6

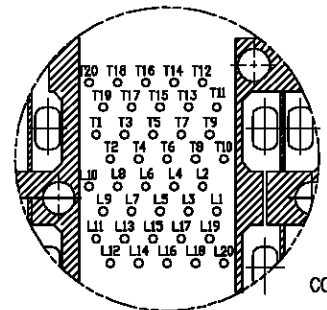


TOLERANCES EXCEPT AS NOTED FIN ± 0.20 DR ± 0.25 H90 ± 0.075 ANGLES ± THIRD ANGLE PROJECTION	JFTD JERRY CHKD ANBY NFD APPVALANN	DATE 09/08/06 DATE 09/19/06 DATE DATE 09/20/06	<h1 style="text-align: center;">XMULTIPLE</h1> <p style="text-align: center;">TITLE</p> <h2 style="text-align: center;">SFP CAGE 2X1 PORT</h2>		
	QT'Y : FINISH: SCALE :	DRAWING NO. SFP-021B /PART NO. SEE NOTE		SIZE A3	REV <input type="checkbox"/>
	DO NOT SCALE DRAWING	SHEET X OF Y		SIZE A3	REV <input type="checkbox"/>
	DO NOT SCALE DRAWING	SHEET X OF Y		SIZE A3	REV <input type="checkbox"/>

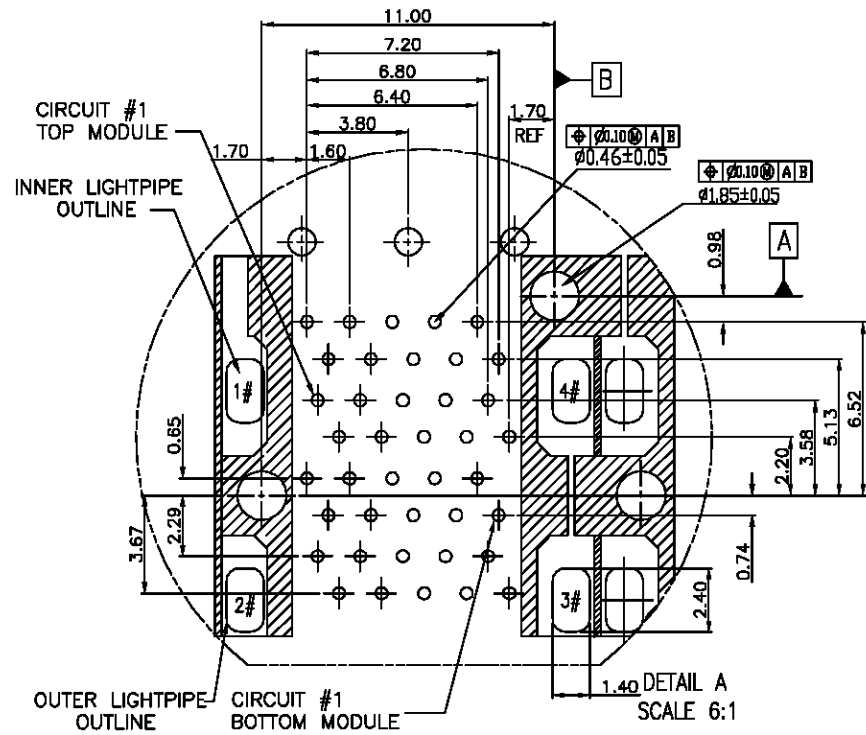
REVISION RECORD				
REV	ECO	DESCRIPTION	DRFT	CHKD



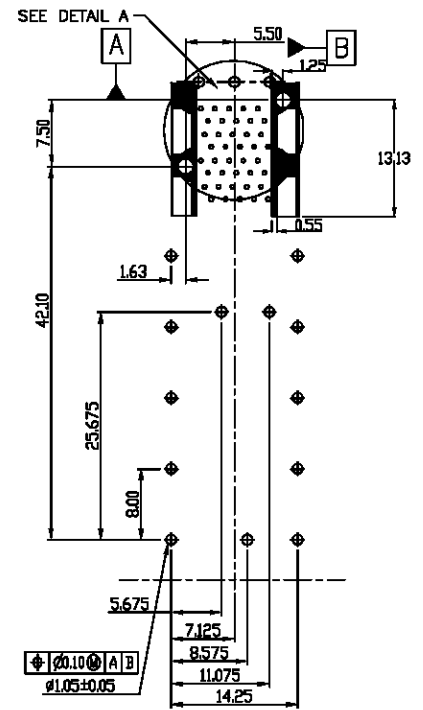
KEEPOUT ZONE DETAIL
SCALE 6:1



CONNECTOR PIN-OUT
COMPONENT SIDE OF BOARD



CIRCUIT #1 TOP MODULE
INNER LIGHTPIPE OUTLINE
CIRCUIT #1 BOTTOM MODULE
OUTER LIGHTPIPE OUTLINE
DETAIL A SCALE 6:1



TOLERANCES EXCEPT AS NOTED	MM	±
	.00 ± 0.25	±
	.000 ± 0.075	±
	ANGLES ±	±
THIRD ANGLE PROJECTION	FINISH:	
	SCALE:	
	DATE 09/19/06	DATE 09/20/06

DATE 09/19/06	DATE 09/20/06	TITLE
CHKD ANDY	DATE 09/20/06	
DFTD JERRY	DATE 09/19/06	SFP CAGE 2X1 PORT
APPV/LALANI	DATE 09/20/06	
DRAWING NO. SFP-021B		SIZE A3
/PART NO. SEE NOTE		REV 0
DID NOT SCALE DRAWING		SHEET X OF Y