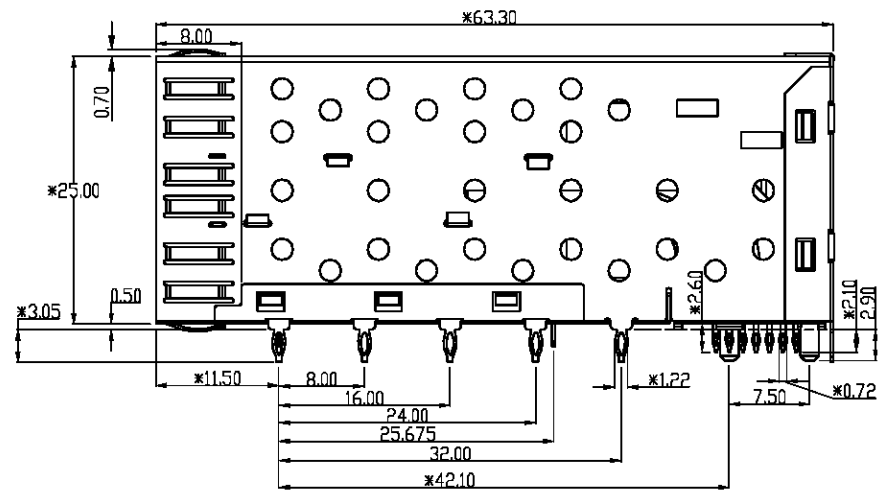
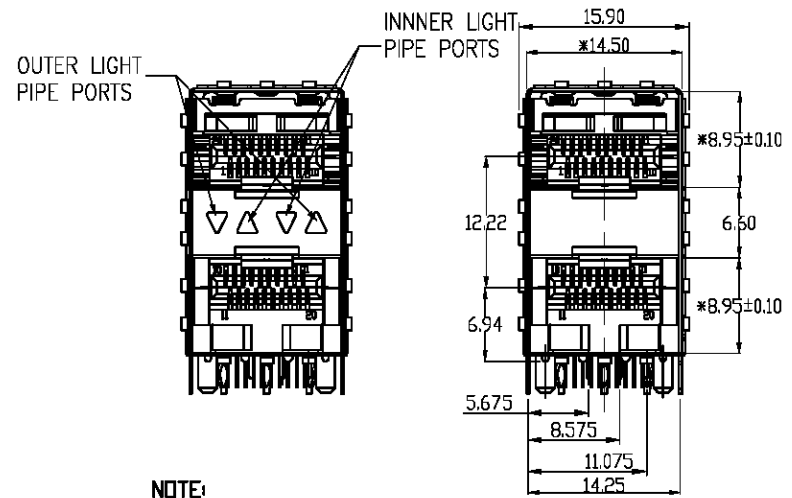
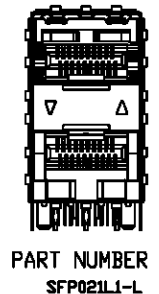
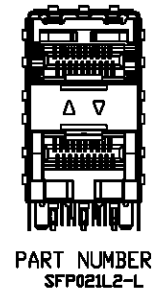
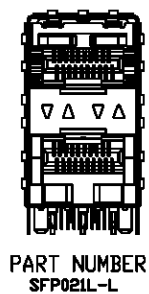


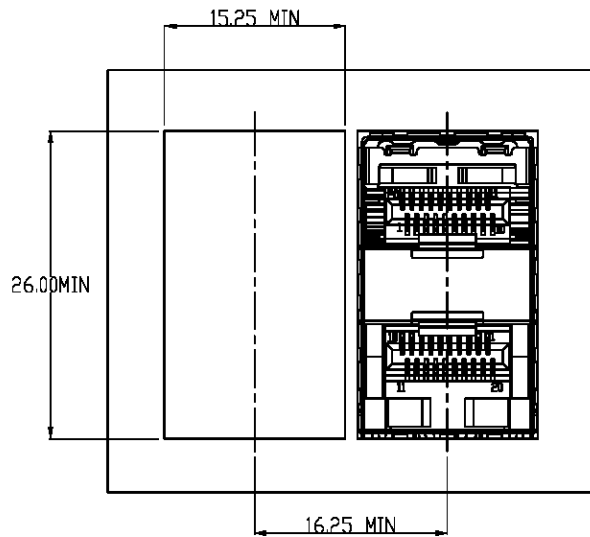
REVISION RECORD				
REV	ECD	DESCRIPTION	DRFT	CHKD



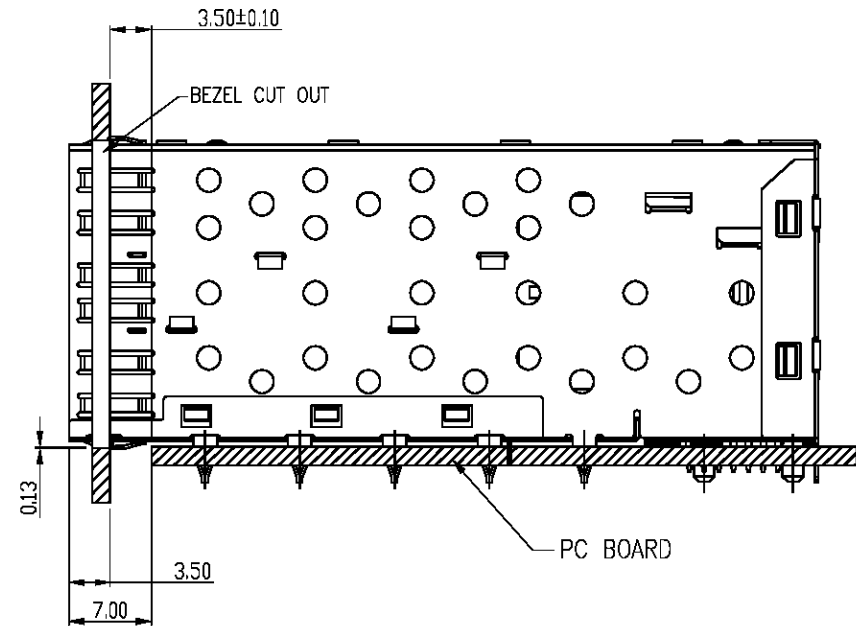
NOTE:
MECHANICAL:
 1. CONNECTOR MATERIAL:
 1) HOUSING: HIGH TEMPERATURE THERMOPLASTIC GLASS FIBER, UL94V-0, STANDARD COLOR: BLACK.
 2) CONTACT: PHOSPHOR BRONZE THICKNESS=0.20mm.
 2. PLATING: 15u" MIN GOLD PLATING OVER 50~80u" NICKEL IN CONTACT AREA
 3. CAGE MATERIAL: COPPER ALLOY
 4. LIGHT PIPE MATERIAL: POLYCARBONATE UL94V-0
 5. DURABILITY: 100 CYCLES MIN.
 6. INSERTION AND EXTRACTION FORCE: 40N MAX AND 11.5MAX
ELECTRICAL:
 1. VOLTAGE RATING: 125 VAC RMS
 2. CURRENT RATING: 0.5 AMP.
 3. CONTACT RESISTANCE: 40 MILLIOHMS MAX.
 4. INSULATION RESISTANCE: 1000 MEGOHMS MIN @ 500 VDC.
 5. DIELECTRIC STRENGTH: 750 VAC RMS 60Hz, 1MIN.
ENVIRONMENTAL:
 OPERATION: -40°C~ +85°C
 STORAGE: -40°C~ +85°C
 RoHS COMPLIANT
 PART NUMBER: SEE DETAIL

ATTACHED LISTE THIRD ANGLE PROJECTION	JFTD JERRY DATE 09/13/09 CHKD ANY DATE 09/13/09 NFD DATE APPV LALANN DATE 09/13/09	XMULTIPLE TITLE SFP CAGE 2X1 PRESS FIT, LIGHT PIPE OPTIONAL		
	MATERIAL : QT'Y : FINISH: SCALE :			DRAWING NO. SFP-021 /PART NO. SEE NOTE
	TOLERANCES EXCEPT AS NOTED MM .01 ± 0.00 ± .02 ± 0.15 ± .03 ± 0.075 ±	DATE 09/13/09 DATE 09/13/09	SIZE A3	REV 1
	DO NOT SCALE DRAWING		SHEET X OF Y	

REVISION RECORD				
REV	ECO	DESCRIPTION	DRFT	CHKD

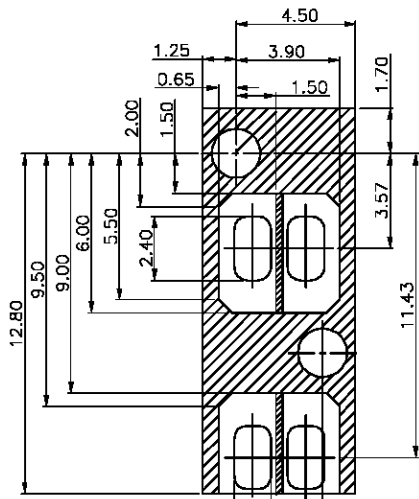


BEZEL CUT-OUT CENTER SPACING DETAIL
BEZEL THICKNESS:0.8-2.6

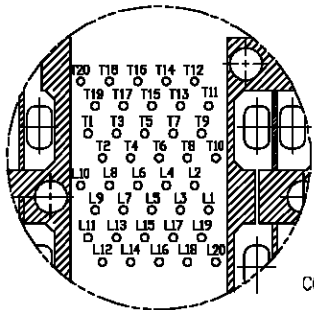


TOLERANCES EXCEPT AS NOTED H11 H8 H7 H6 H5 H4 H3 H2 H1 H0	±	±	±	±	±	XMULTIPLE TITLE SFP CAGE 2X1 PRESS FIT, LIGHT PIPE OPTIONAL DRAWING NO. SFP-021 /PART NO. SEE NOTE DO NOT SCALE DRAWING	SIZE A3	REV 1
	±	±	±	±	±			
	±	±	±	±	±			
	±	±	±	±	±			
ANGLES ± 	±	±	±	±	±	SHEET X OF Y		
THIRD ANGLE PROJECTION	±	±	±	±	±			
FINISH: SCALE:	±	±	±	±	±	TITLE SFP CAGE 2X1 PRESS FIT, LIGHT PIPE OPTIONAL DRAWING NO. SFP-021 /PART NO. SEE NOTE DO NOT SCALE DRAWING	SIZE A3	REV 1

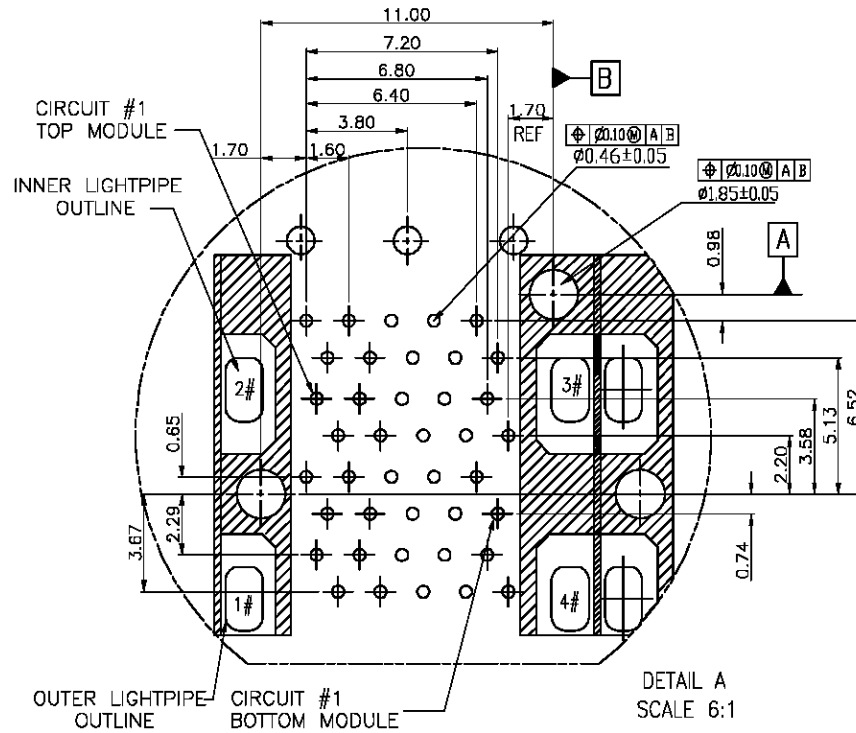
REVISION RECORD				
REV	ECO	DESCRIPTION	DRFT	CHKD



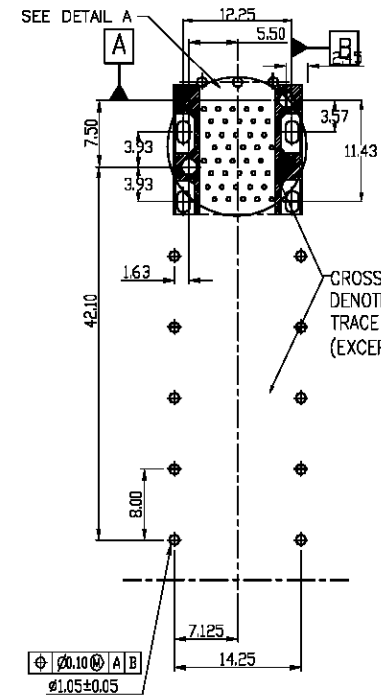
KEEP-OUT ZONE DETAIL
SCALE 6:1



CONNECTOR PIN-OUT
COMPONENT SIDE OF BOARD



CIRCUIT #1
TOP MODULE
INNER LIGHTPIPE
OUTLINE
CIRCUIT #1
BOTTOM MODULE
OUTER LIGHTPIPE
OUTLINE
DETAIL A
SCALE 6:1



CROSS-HATCHED AREA
DENOTES COMPONENT AND
TRACE KEEP-OUT
(EXCEPT CHASSIS GROUND)

MH CINCO		DFTD JERRY CHKD	DATE 07/25/08 DATE
TOLERANCES EXCEPT AS NOTED		NFD APP'VL	DATE DATE
MH D ± 0.25 .00 ± 0.15 0.00 ± 0.075	± ± ±	MATERIAL :	QT'Y :
ANGLES ±		FINISH:	SCALE :
THIRD ANGLE PROJECTION		FINISH:	SCALE :

XMULTIPLE

TITLE		SIZE	REV
SFP+ 2X1 PORT WITH LIGHT PIPE		A3	0
DRAWING NO. SFP-021P		/PART NO. SEE NOTE	
DID NOT SCALE DRAWING		SHEET X	OF Y