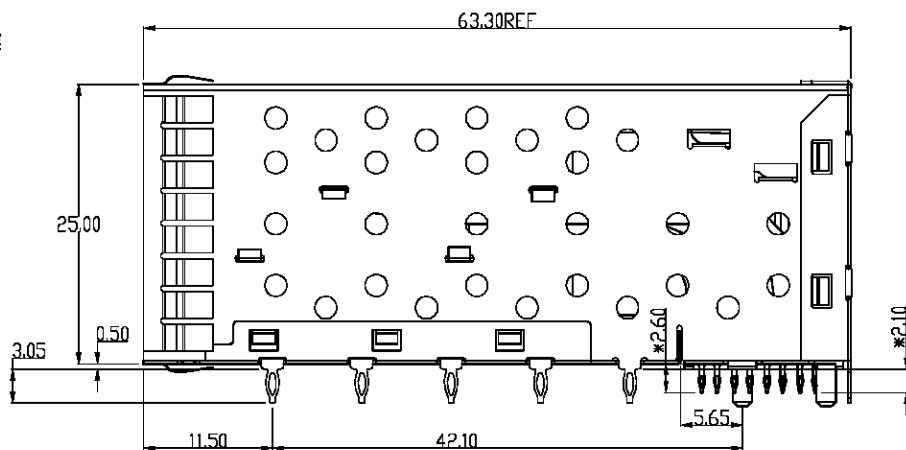
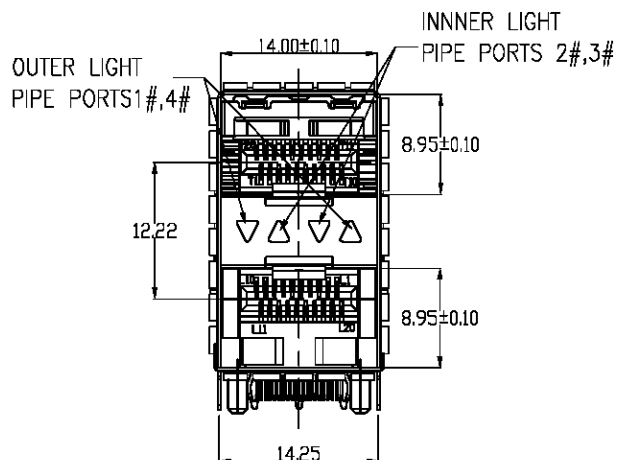
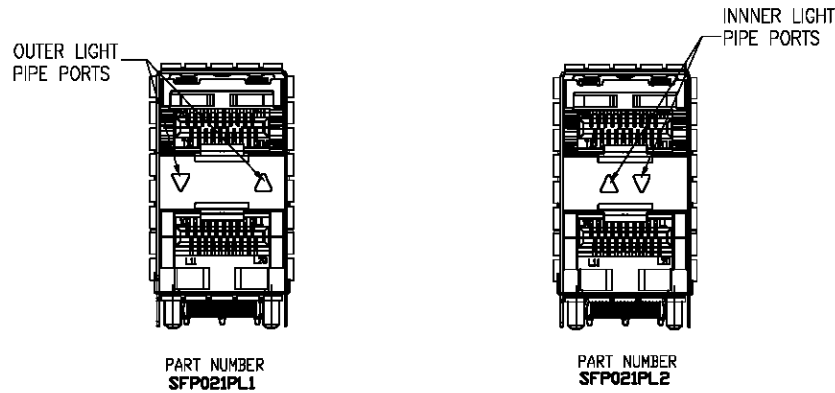
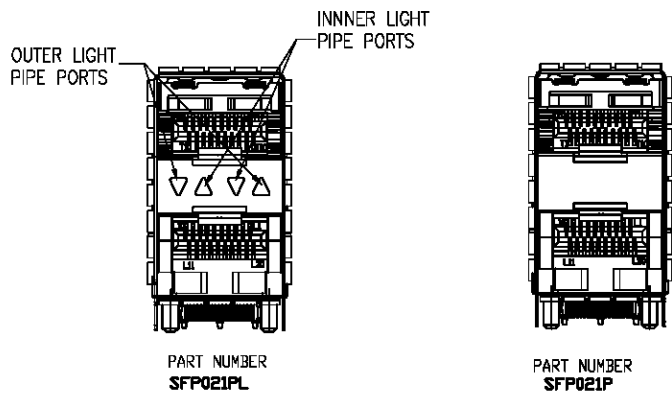


REVISION RECORD				
REV	ECO	DESCRIPTION	DRFT	CHKD

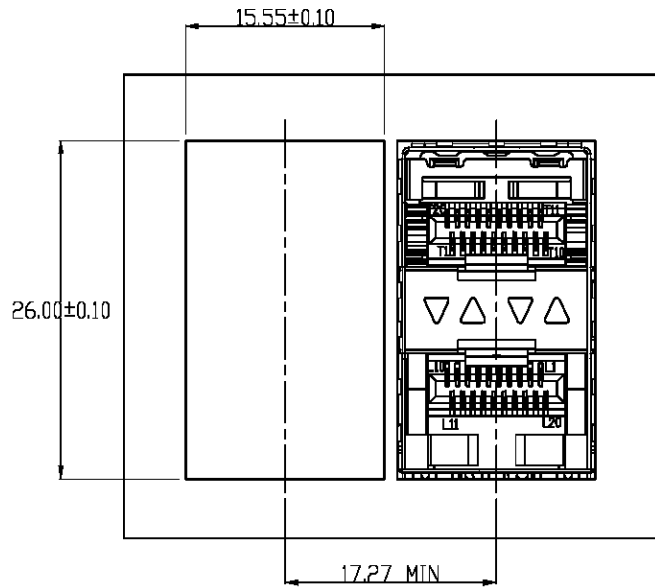


NOTE:  
 MECHANICAL:  
 CONNECTOR MATERIAL:  
 1. HOUSING: HIGH TEMPERATURE THERMOPLASTIC GLASS FIBER, UL94V-0,  
 1 STANDARD COLOR: BLACK.  
 2. CONTACT: COPPER ALLOY T=0.20mm.  
 3. CAGE: COPPER ALLOY T=0.25mm.  
 4. LIGHT PIPE: POLYCARBONATE.  
 5. EMI CLIP: COPPER ALLOY T=0.08mm.  
 6. DURABILITY: 100 CYCLES MIN.  
 ELECTRICAL:  
 DIFFERENTIAL IMPEDANCE: 100 Ohms.  
 TEMPERATURE:  
 OPERATION: -40°C~ +85°C  
 STORAGE: -40°C~ +85°C  
 ROHS COMPLIANT  
 PART NUMBER: SEE ABOVE

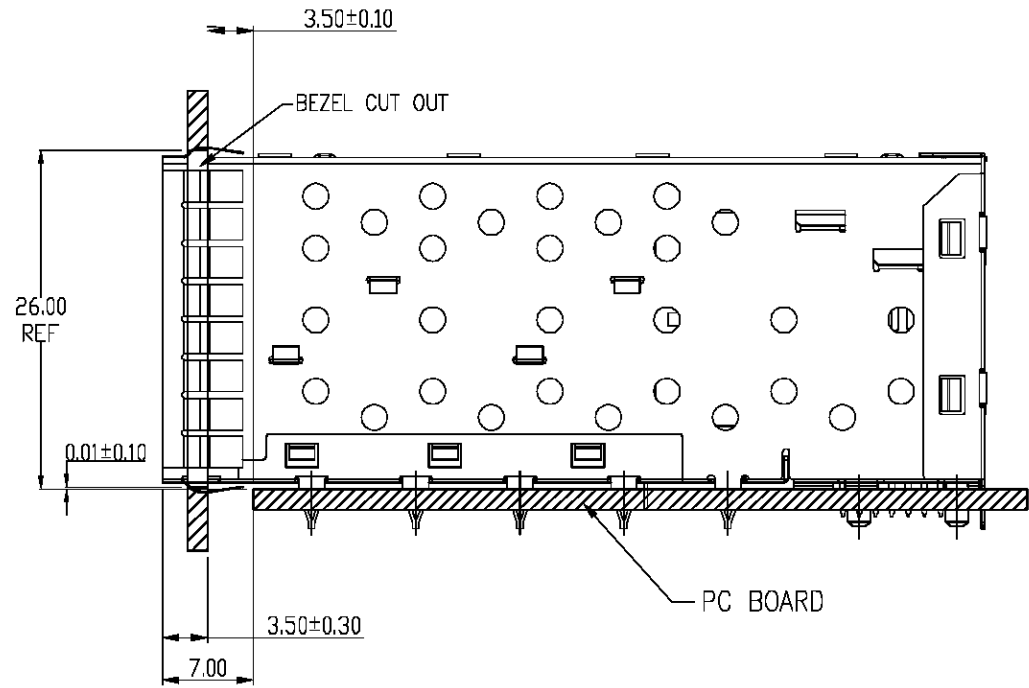
ATTACHED LISTS	MM UN/EN	JFTD JERRY	DATE 07/02/08
	TOLERANCES EXCEPT AS NOTED	CHKD	DATE
	MM J ± 0.20 .08 ± 0.13 1.00 ± 0.075	APPVL	DATE
	ANGLES *	QT'Y :	
	THIRD ANGLE PROJECTION	FINISH:	
		SCALE :	

<b>Xmultiple</b>	
TITLE SFP+ 2X1 PORT WITH LIGHT PIPE	
DRAWING NO. SFP-021P	SIZE A3
/PART NO. SEE NOTE	
DO NOT SCALE DRAWING	SHEET X OF Y

REVISION RECORD				
REV	ECO	DESCRIPTION	DRFT	CHKD

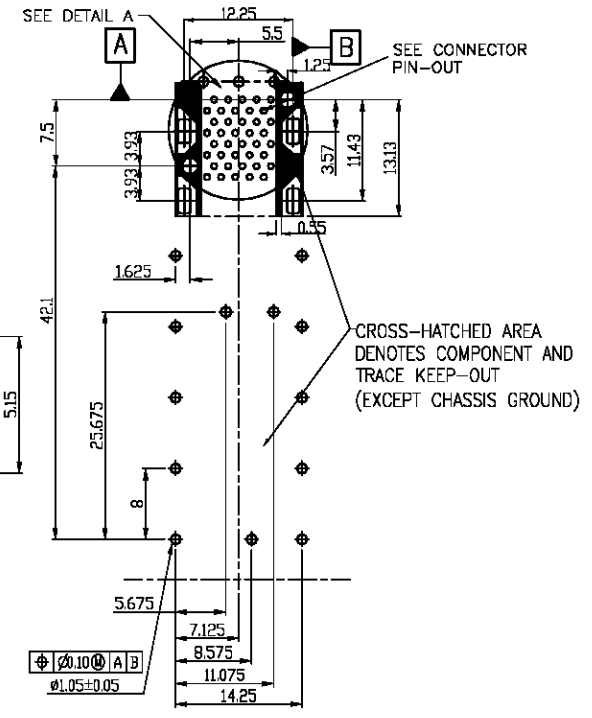
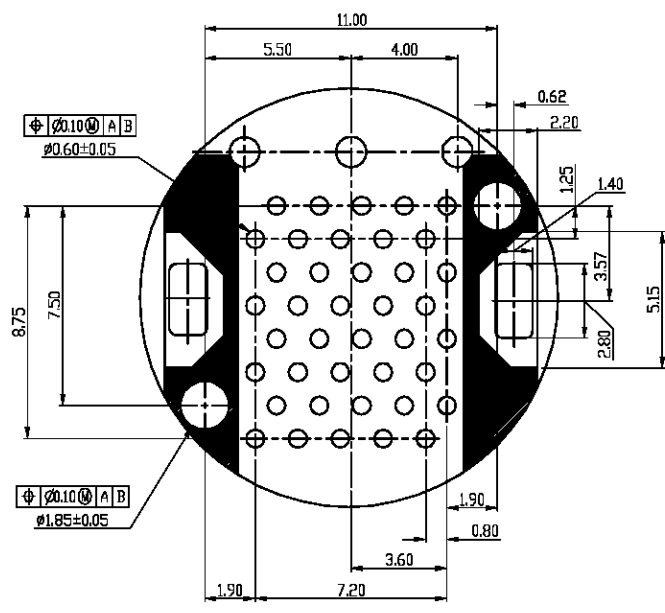
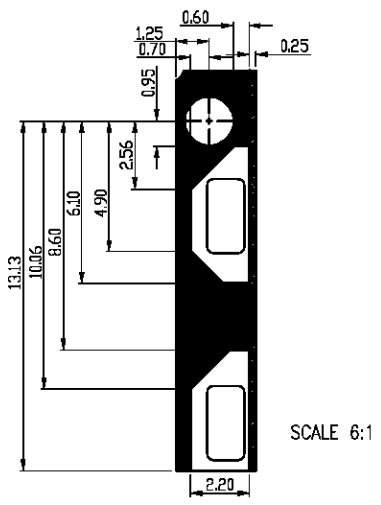
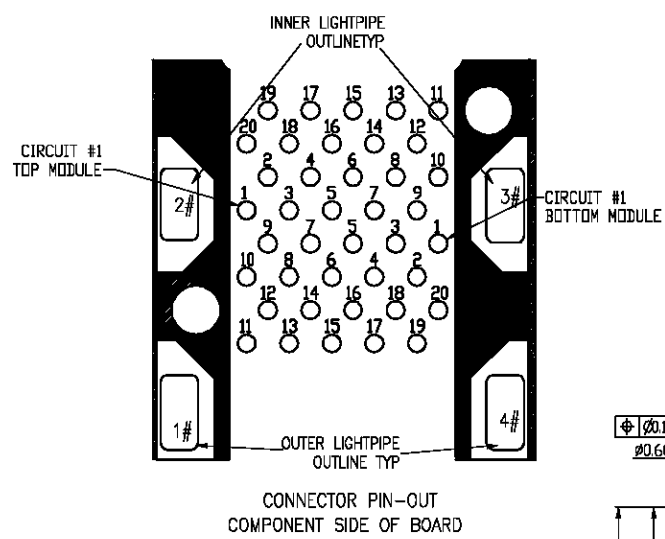


BEZEL CUT-OUT CENTER SPACING DETAIL  
BEZEL THICKNESS:0.8-2.6



DIMENSIONS EXCEPT AS NOTED MM .1 ± 0.25 .25 ± 0.125 .50 ± 0.25 ANGLES ±	DIM CHECKED	DATE 07/28/20	<h1 style="text-align: center;">Xmultiple</h1>	
	TOLERANCES EXCEPT AS NOTED	DATE		
	APPVL	DATE		
	MATERIAL	DATE		
DETACHED LISTS	QTY	FINISH	TITLE <b>SFP+ 2X1 PORT WITH LIHGT PIPE</b>	
THIRD ANGLE PROJECTION	SCALE	DO NOT SCALE DRAWING	DRAWING NO. SFP-021P /PART NO. SEE NOTE	SIZE <b>A3</b>
			SHEET X	OF Y

REVISION RECORD				
REV	ECD	DESCRIPTION	DRFT	CHKD



DETACHED LISTS IN CHARGE TOLERANCES EXCEPT AS NOTED .01 ± 0.01 .005 ± 0.005 .008 ± 0.005 ANGLES ± THIRD ANGLE PROJECTION	DFTD JERRY CHKD ANDY NFD APPV LALANN	DATE 09/13/09 DATE 09/13/09 DATE DATE 09/13/09	<h1 style="text-align: center;">Xmultiple</h1> <p>TITLE SFP CAGE 2X1 PRESS FIT, LIGHT PIPE OPTIONAL</p> <p>DRAWING NO. SFP-021 /PART NO. SEE NOTE</p> <p>DO NOT SCALE DRAWING</p>	
	MATERIAL : QT'Y : FINISH: SCALE :	DATE 09/13/09		SIZE A3
	SHEET X OF Y	REV 1		OF Y
	SHEET X OF Y	REV 1		OF Y