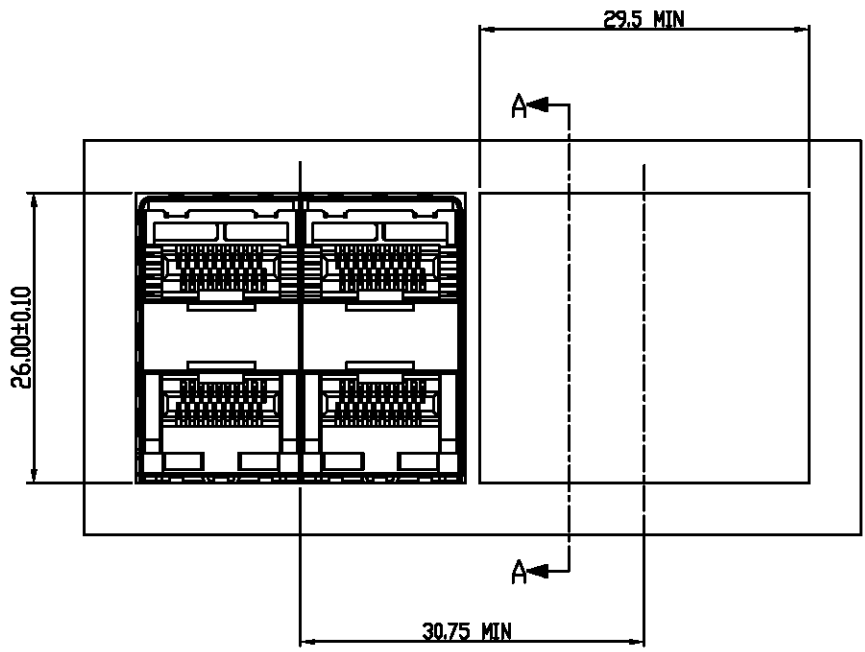
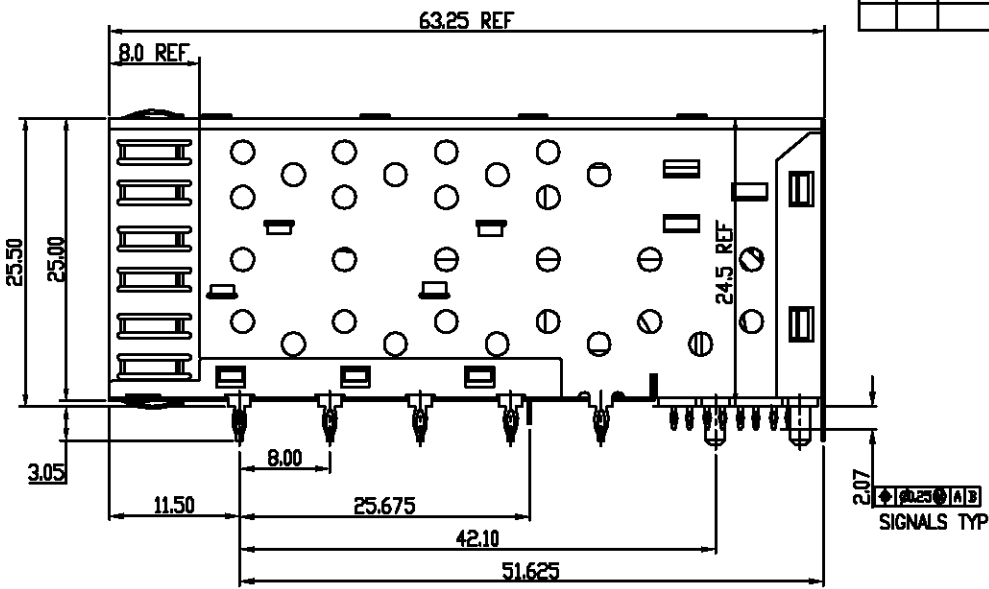
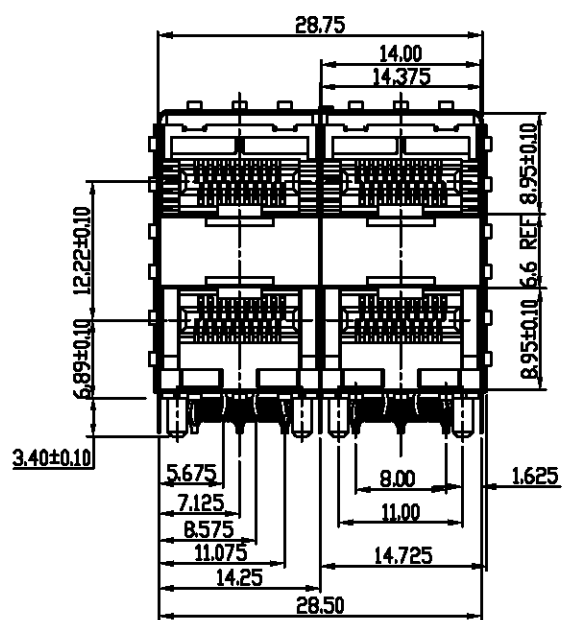


REVISION RECORD				
REV	ECD	DESCRIPTION	DRFT	CHKD



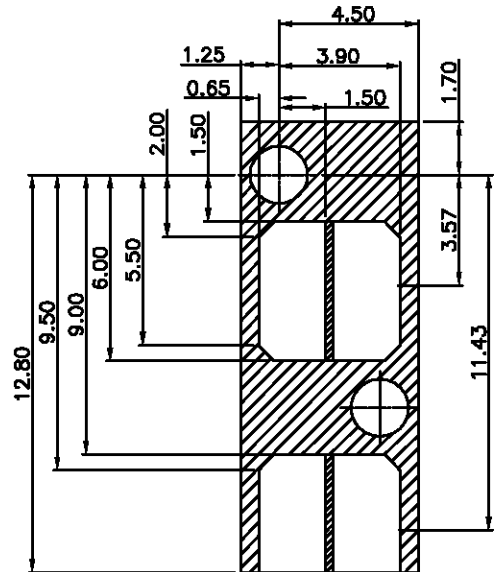
BEZEL CUT-OUT CENTER SPACING DETAIL
BEZEL THICKNESS:0.8-2.6

NOTE:
MECHANICAL:
CONNECTOR MATERIAL:
1.HOUSING: HIGH TEMPERATURE THERMOPLASTIC
GLASS FIELD, UL94V-0,
STANDARD COLOR:BLACK.
2.CONTACT: COPPER ALLOY T=0.20mm.
3.DURABILITY: 100 CYCLES MIN.
ELECTRICAL:
DIFFERENTIAL IMPEDANCE: 100 Ohms.
TEMPERATURE:
OPERATION: -40°C~ +85°C
STORAGE: -40°C~ +85°C
PART NUMBER: XSFP-022A-L

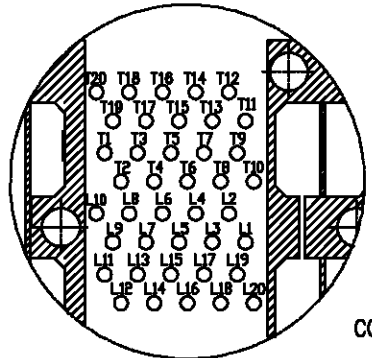
TOLERANCES EXCEPT AS NOTED	MM	IN	DATE 09/28/06
	CHCKD	APPV'L	DATE 09/29/06
	DATE	DATE 09/29/06	
	DATE 09/29/06		
ANGLES *	QT'Y	FINISH	
	SCALE		

Xmultiple Technologies Inc.	
TITLE	
SFP CAGE 2X2 PORT WITHOUT LIGHT PIPE	
DRAWING NO. SFP-022A	SIZE REV
/PART NO. SEE NOTE	A3 0
DO NOT SCALE DRAWING	SHEET X OF Y

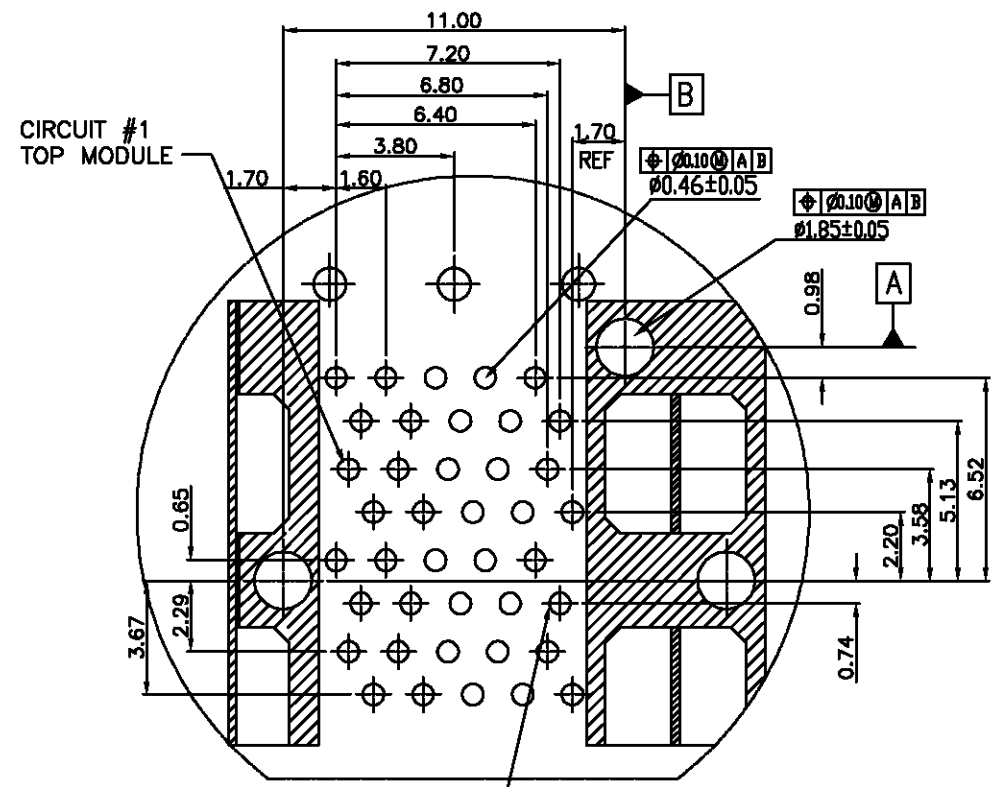
REVISION RECORD				
REV	ECC	DESCRIPTION	DRFT	CHKD



KEEPOUT ZONE DETAIL
SCALE 6:1



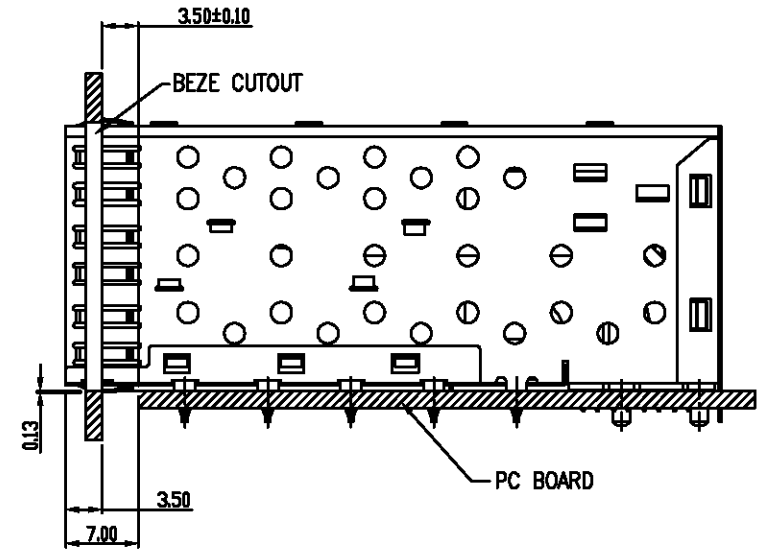
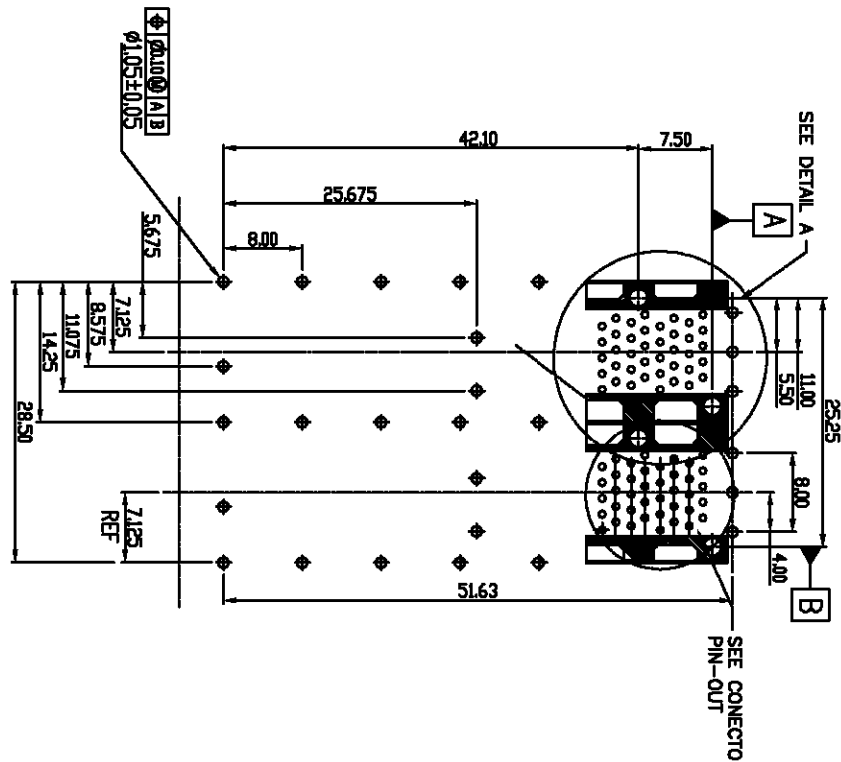
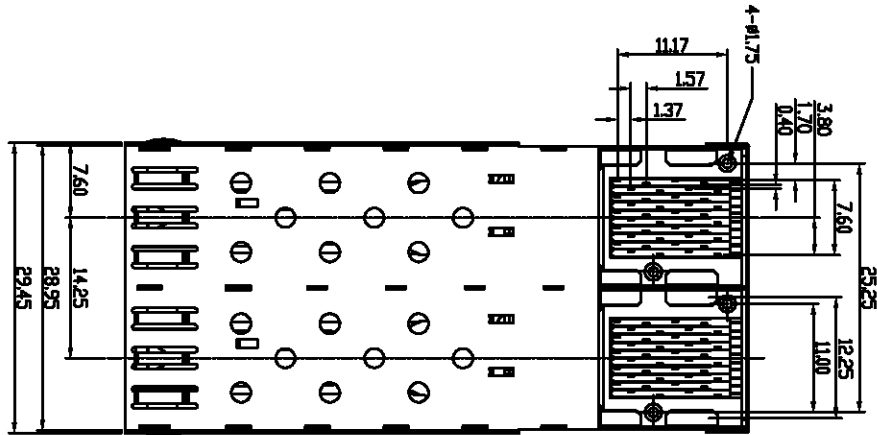
CONNECTOR PIN-OUT
COMPONENT SIDE OF BOARD



CIRCUIT #1
BPTOM MODULE
DETAIL A
SCALE 6:1

TOLERANCES EXCEPT AS NOTED MM ± 0.20 MM ± 0.15 MM ± 0.075 ANGLES ± THIRD ANGLE PROJECTION	IN CHARGE DATE 09/28/06	SFTD JERRY DATE 09/28/06	Xmultiple Technologies Inc. TITLE SFP CAGE 2X2 PORT WITHOUT LIHGT PIPE DRAWING NO. SFP-022A /PART NO. SEE NOTE DO NOT SCALE DRAWING
	APPVL/ALN DATE 09/28/06	CIRC'D AMY DATE 09/28/06	
	MFD DATE	DATE	
	MATERIAL :	QTY :	
FINISH:	SCALE :	SIZE A3	REV 0
SHEET X OF Y	SHEET X OF Y		

REVISION RECORD				
REV	ECO	DESCRIPTION	DRFT	CHKD



SECTION A-A

TOLERANCES EXCEPT AS NOTED FINISH: ANGLE: THIRD ANGLE PROJECTION	SFTD JERRY CHKD ANDY RFD APPVL ALAM	DATE 09/28/06 DATE 09/29/06 DATE DATE 09/28/06	Xmultiple Technologies Inc. TITLE SFP CAGE 2X2 PORT WITHOUT LIHGT PIPE		
	M .8 ± 0.08 .05 ± 0.05 .00 ± 0.075	MATERIAL: QT'Y: FINISH: SCALE:			DRAWING NO. SFP-022A /PART NO. SEE NOTE
	DO NOT SCALE DRAWING		SHEET X OF Y		