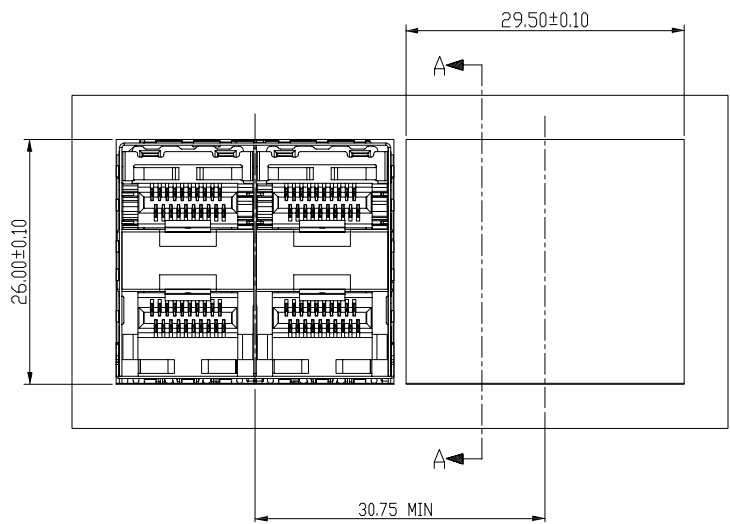
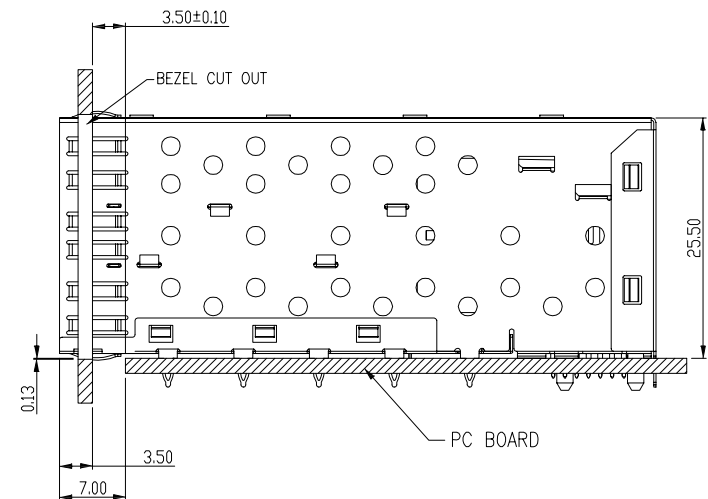


REVISION RECORD				
REV	ECD	DESCRIPTION	DRFT	CHKD

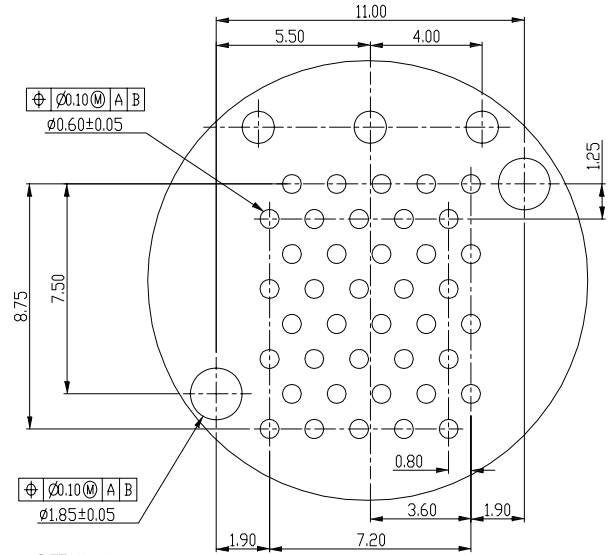
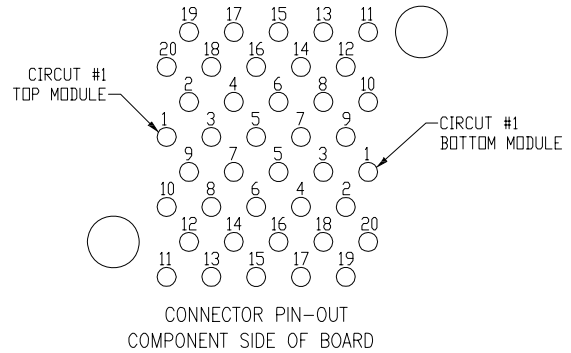
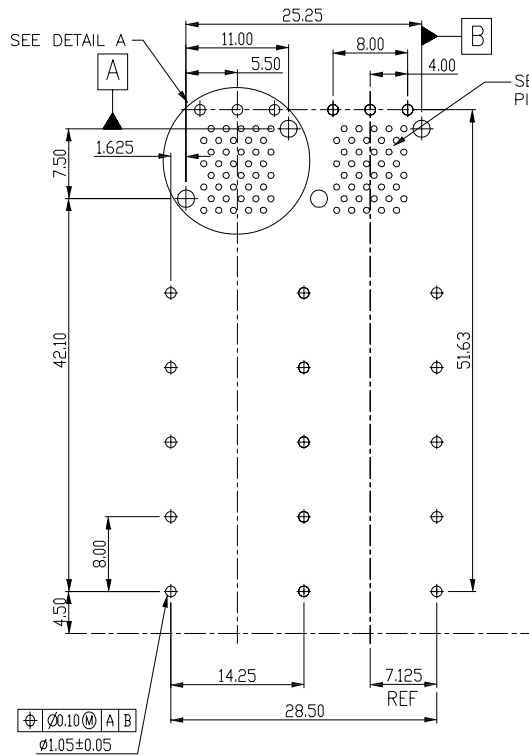
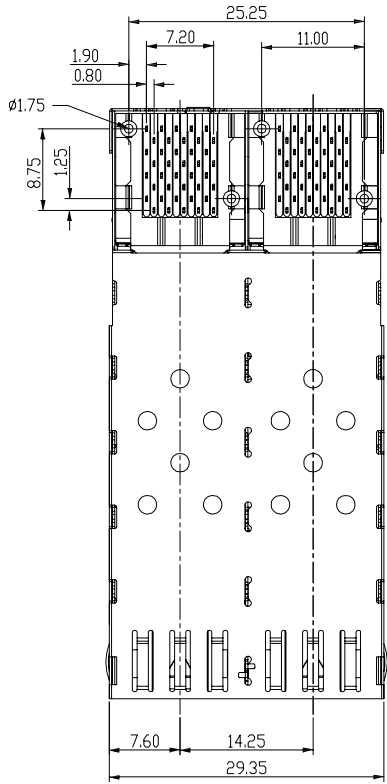


BEZEL CUT-OUT CENTER SPACING DETAIL
BEZEL THICKNESS:0.8-2.6



DETACHED LISTS	MM (INCH)	DFTD JERRY	DATE 09/18/06	Xmultiple Technologies Inc.	
	TOLERANCES EXCEPT AS NOTED	CHKD ANDY	DATE 09/19/06		
	MM	MFD	DATE	TITLE	
	.0 ± 0.20	APPV/LALANN	DATE 09/20/06	SFP CAGE 2X2 PORT	
.00 ± 0.15	MATERIAL :	QT'Y :	DRAWING NO. SFP-022C	SIZE A3	REV 0
.000 ± 0.075	ANGLES ±	FINISH:	/PART NO. SEE NOTE	SHEET X	OF Y
THIRD ANGLE PROJECTION	SCALE :	DO NOT SCALE DRAWING			

REVISION RECORD				
REV	ECO	DESCRIPTION	DRFT	CHKD



DETAIL A
SCALE 6:1

DETACHED LISTS	MM (INCH)	DFTD JERRY	DATE 09/18/06	Xmultiple Technologies Inc.	
	TOLERANCES EXCEPT AS NOTED	CHKD ANDY	DATE 09/19/06		
	MM	MFO	DATE	TITLE SFP CAGE 2X2 PORT	
	.0 ± 0.20	APPVL ALANN	DATE 09/20/06		
.00 ± 0.15	MATERIAL :	QT'Y :	DRAWING NO. SFP-022C	SIZE A3	REV
.000 ± 0.075	ANGLES ±	FINISH:	/PART NO. SEE NOTE	DO NOT SCALE DRAWING	SHEET X OF Y
THIRD ANGLE PROJECTION	SCALE :				