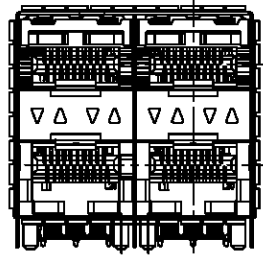
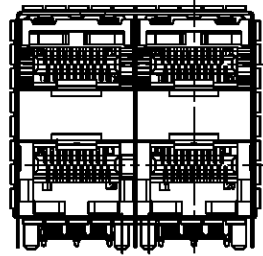


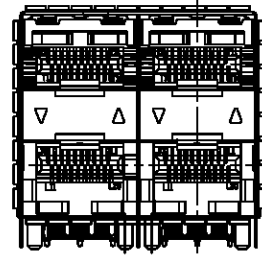
REVISION RECORD				
REV	ECO	DESCRIPTION	DRFT	CHKD



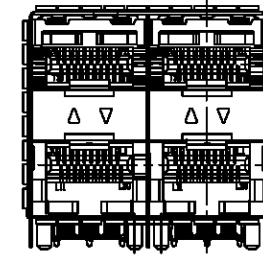
PART NUMBER
SFP022PL



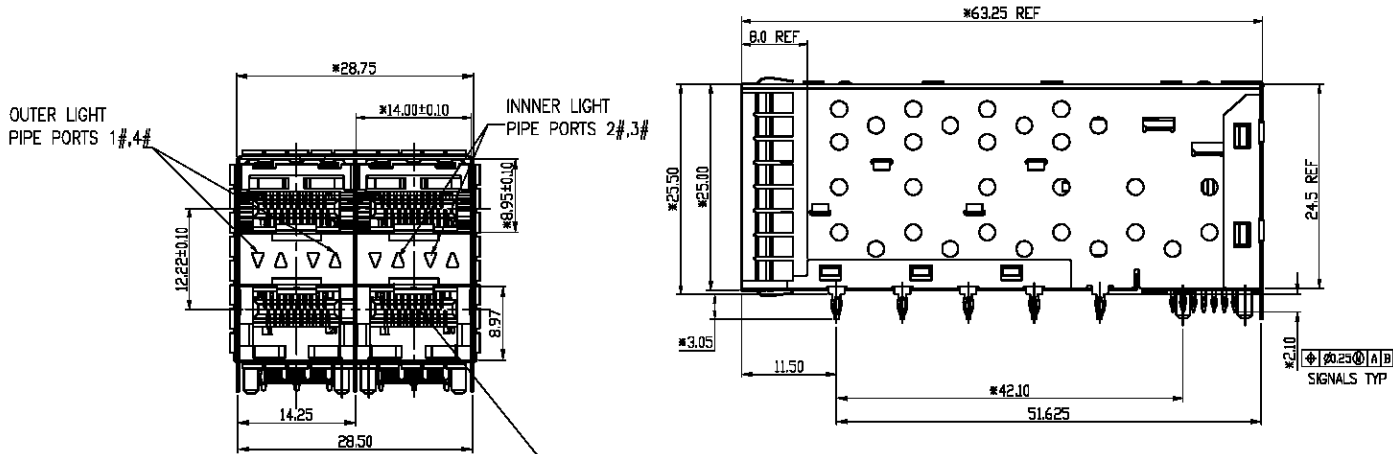
PART NUMBER
SFP022P



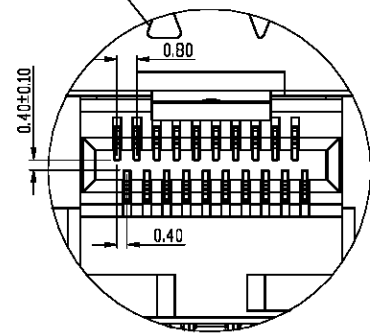
PART NUMBER
SFP022PL1



PART NUMBER
SFP022PL2



NOTE:
MECHANICAL:
 CONNECTOR MATERIAL:
 1. HOUSING: HIGH TEMPERATURE THERMOPLASTIC
 GLASS FIELD. UL94V-0,
 STANDARD COLOR: BLACK.
 2. CONTACT: COPPER ALLOY T=0.20mm.
 3. CAGE: COPPER ALLOY T=0.25mm.
 4. LIGHT PIPE: POLYCARBONATE.
 5. SEMI CLIP: COPPER ALLOY T=0.08mm.
ELECTRICAL:
 DIFFERENTIAL IMPEDANCE: 100 Ohms.
 TEMPERATURE:
 OPERATION: -40°C ~ +85°C
 STORAGE: -40°C ~ +85°C
 ROHS COMPLIANT
 PART NUMBER: SEE ABOVE



DETACHED LISTS	TOLERANCES EXCEPT AS NOTED		DRFTD: JERRY	DATE: 07/25/10
	MATERIAL:		CHKD: ANDY	DATE: 07/15/10
	MATERIAL:		MFD:	DATE:
	MATERIAL:		APPV: LALANN	DATE: 07/16/10
	MATERIAL:		DATE:	DATE:
ANGLES:		QT'Y:		
THIRD ANGLE PROJECTION		FINISH:		
SCALE:				

Xmultiple Technologies, Inc.

TITLE
SFP+ 2X2 PORT WITH LIGHT PIPE

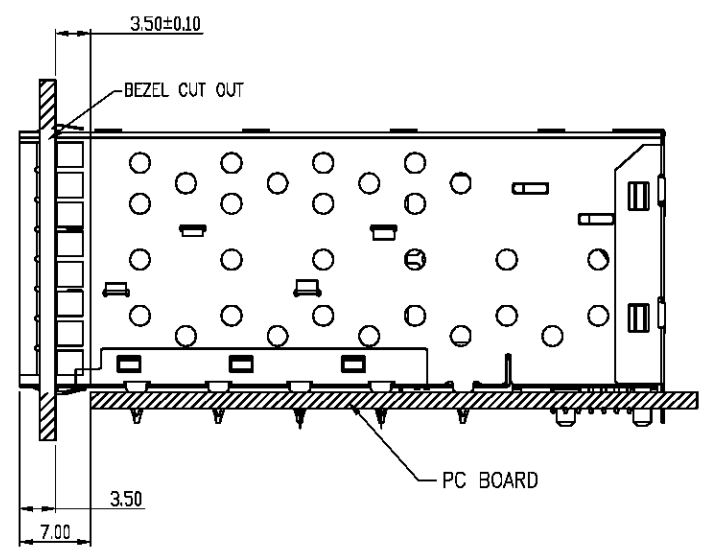
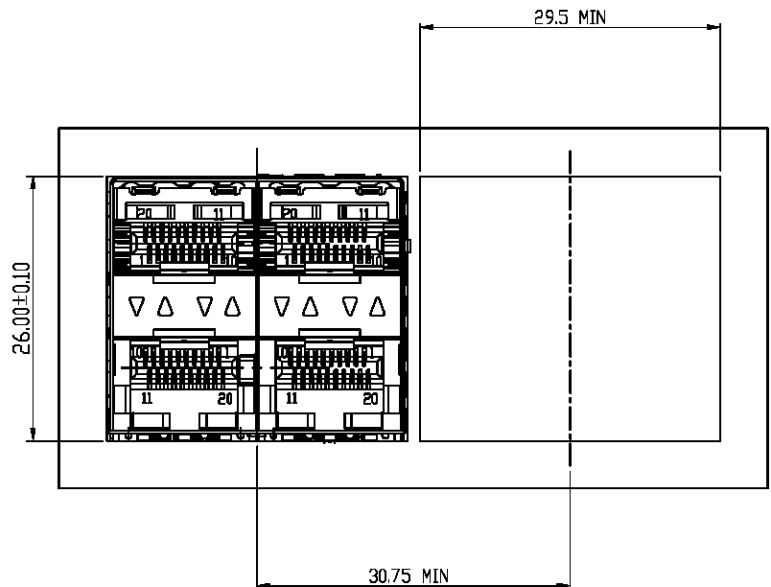
DRAWING NO. SFP-022P
 /PART NO. SEE NOTE

DO NOT SCALE DRAWING

SIZE: A3
 REV:

SHEET X OF Y

REVISION RECORD				
REV	ECO	DESCRIPTION	DRFT	CHKD

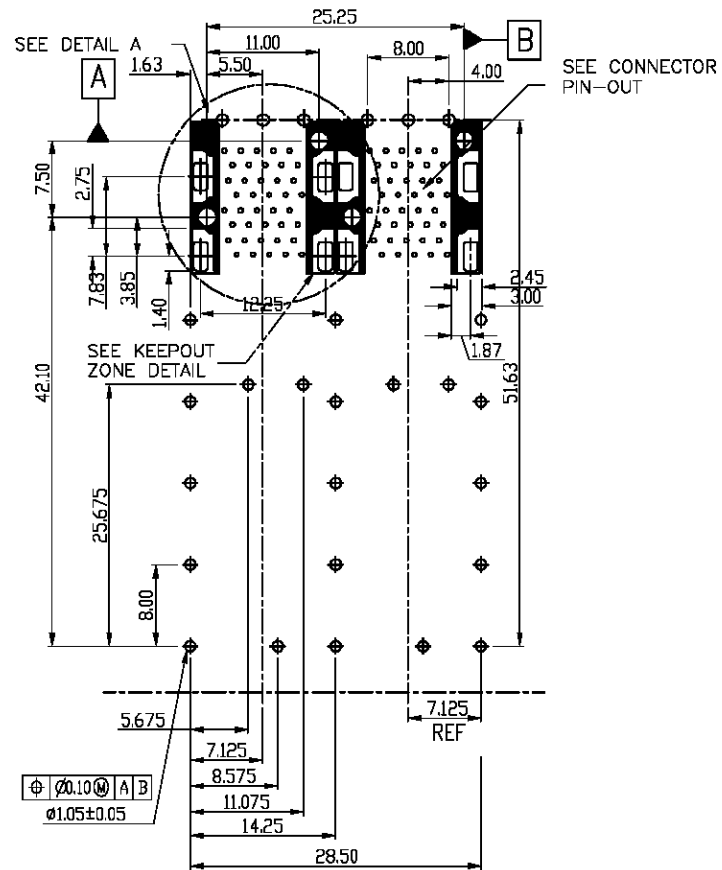
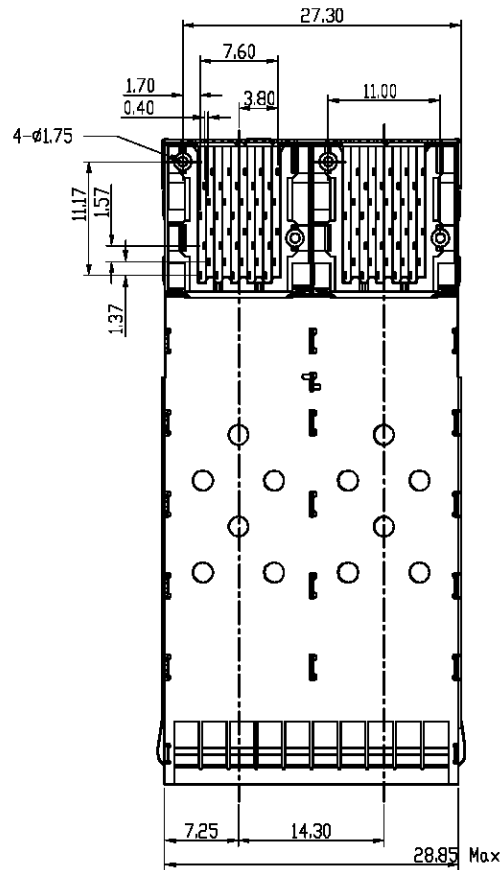


BEZEL CUT-OUT CENTER SPACING DETAIL
BEZEL THICKNESS:0.8-2.6

TOLERANCES EXCEPT AS NOTED MM ± 0.20 .00 ± 0.15 .000 ± 0.075 ANGLES ± THIRD ANGLE PROJECTION	DIM CHG'D DATE 07/15/30	DFTD JENBY DATE 07/15/30	Xmultiple Technologies, Inc.		
	APPVL ALAMM DATE 07/16/30	CHKD ANDY DATE 07/15/30	TITLE SFP+ 2X2 PORT WITH LIHGT PIPE		
	FINISH: SCALE:	MTRIAL:	QT'Y:	DRAWING NO. SFP-022P /PART NO. SEE NOTE	SIZE REV A3 <input type="checkbox"/>
	DO NOT SCALE DRAWING	SHEET X OF Y	1	2	3

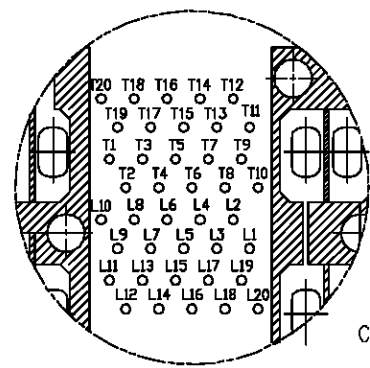
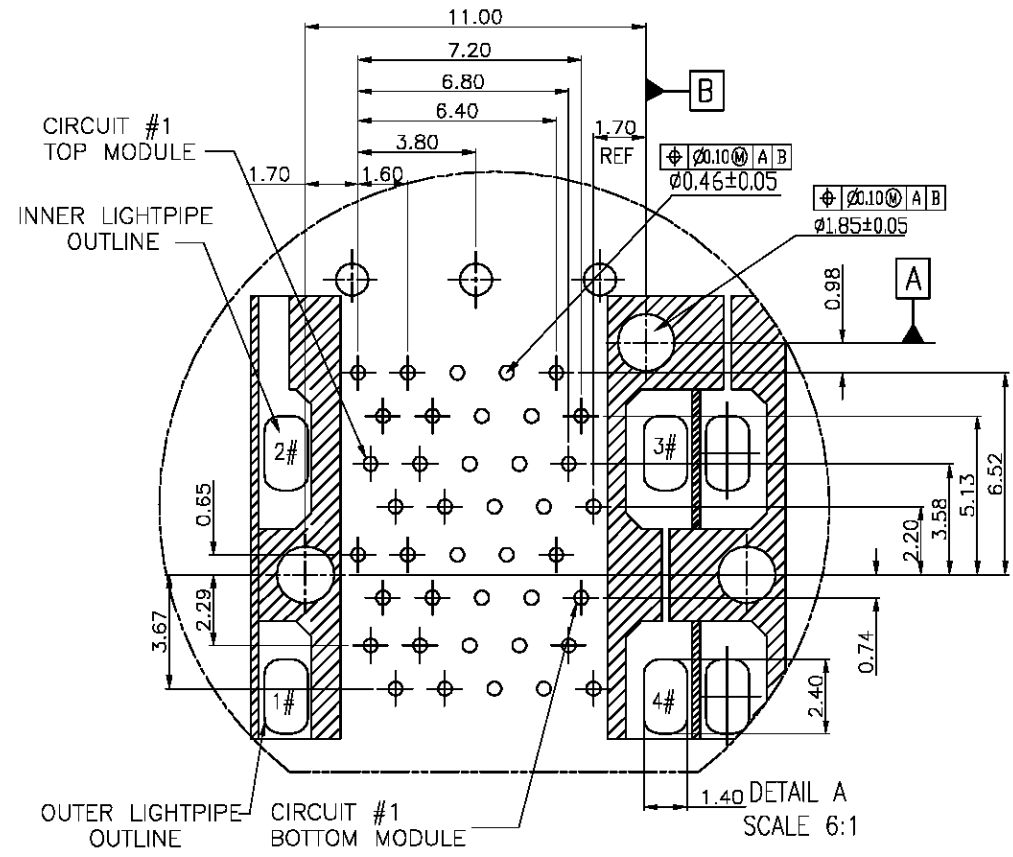
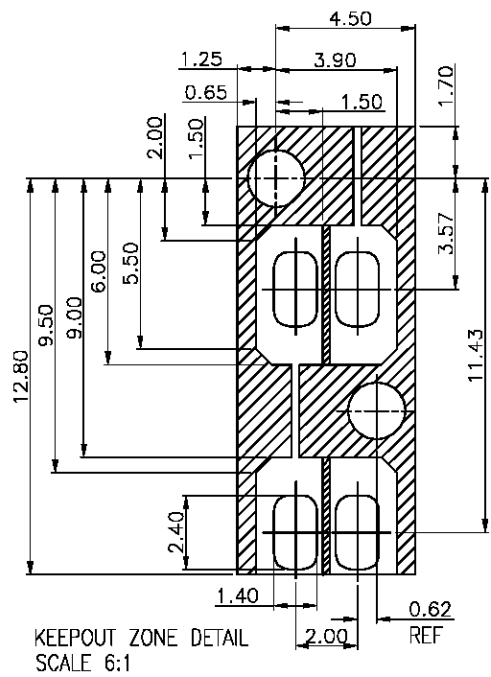
H
G
F
E
D
C
B
A

REVISION RECORD				
REV	ECD	DESCRIPTION	DRFT	CHKD



DIM CHG (S) TOLERANCES EXCEPT AS NOTED MM .01 ± 0.01 .02 ± 0.15 .008 ± 0.075 ANGLES ± THIRD ANGLE PROJECTION	DFTD JENY CHKD ANDY NFD APPVL ALANN	DATE 07/15/10 DATE 07/15/10 DATE 07/16/10	Xmultiple Technologies, Inc.	
	QT'Y : FINISH: SCALE :	TITLE SFP+ 2X2 PORT WITH LIHGT PIPE		
	DO NOT SCALE DRAWING	SHEET X OF Y	SIZE A3	REV <input type="checkbox"/>
	DRAWING NO. SFP-022P /PART NO. SEE NOTE			

REVISION RECORD				
REV	ECD	DESCRIPTION	DRFT	CHKD



DETACHED LISTS	MM	IN	DATE 07/26/10
	CHKO	ANDY	DATE 07/15/10
	TOLERANCES EXCEPT AS NOTED		DATE
	MM	±	APPLV:ALANN
	.00 ± 0.13	±	DATE 07/16/10
MM	±	MATERIAL	
.00 ± 0.075	±	QT'Y	
ANGLES ±		FINISH	
		SCALE	

Xmultiple Technologies, Inc.	
TITLE	
SFP+ 2X2 PORT WITH LIHGT PIPE	
DRAWING NO. SFP-022P	SIZE REV
/PART NO. SEE NOTE	A3 0
DO NOT SCALE DRAWING	SHEET X OF Y