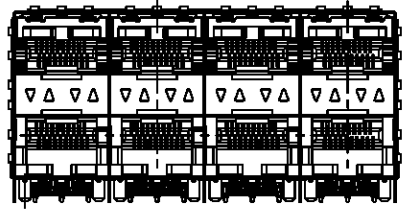
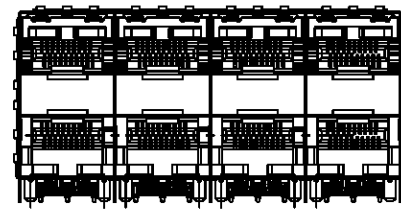


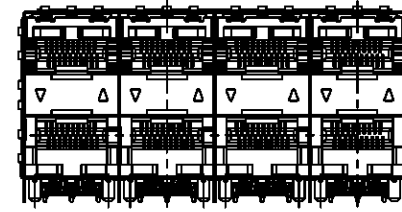
REVISION RECORD				
REV	ECO	DESCRIPTION	DRFT	CHKD



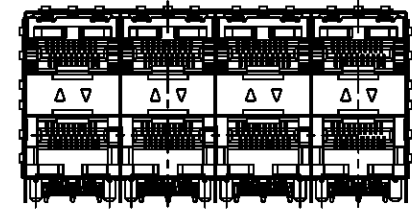
PART NUMBER
SFP024L



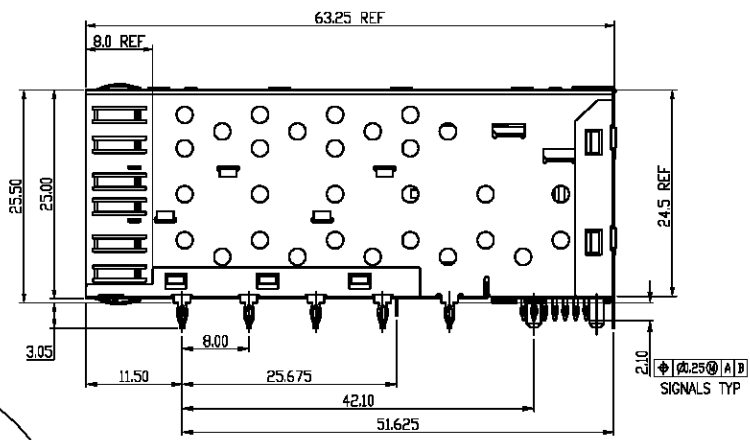
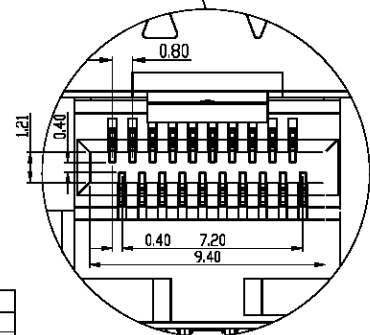
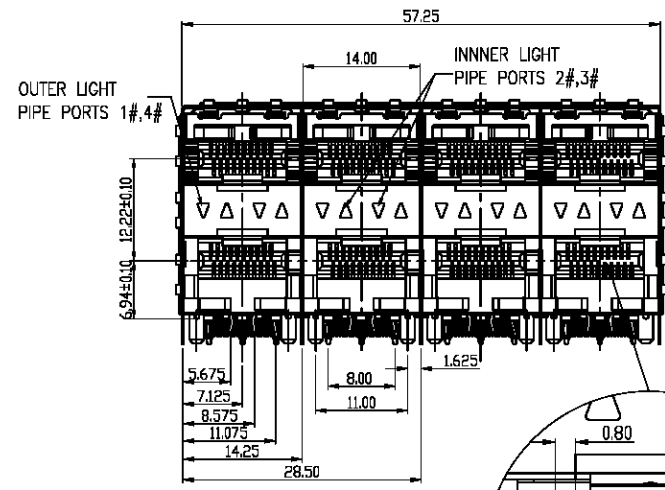
PART NUMBER
SFP024



PART NUMBER
SFP024L1



PART NUMBER
SFP024L2



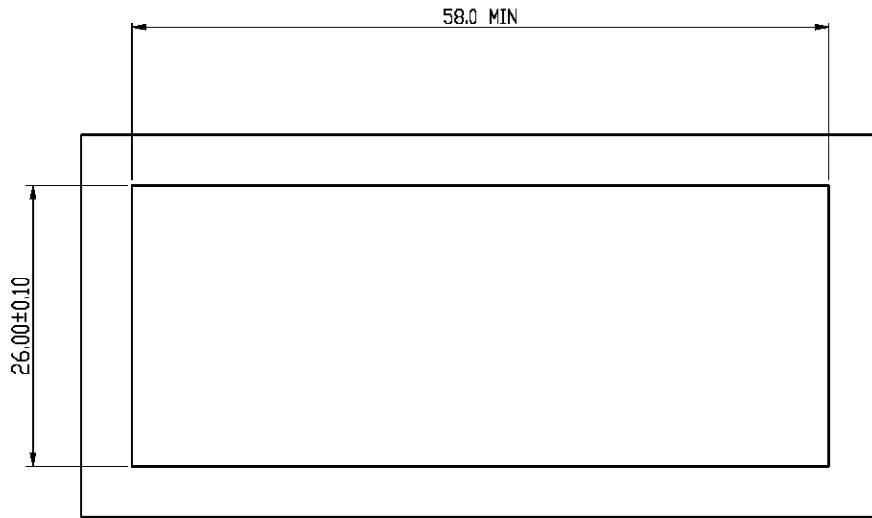
Per:	TRAY	CARTON
	6	30
PART NUMBER	STATEMENT	
N/A	INNER/OUTER 4 PORTS LIGHT PIPES	
	INNER 2 PORTS LIGHT PIPES	
	OUTER 2 PORTS LIGHT PIPES	
DESCRIPTION	Q'ty	MATERIAL PLATING
SFP CAGE (Non-Logo)	1	COPPER ALLOY NICKEL
CONNECTOR	4	GOLD
LIGHT PIPES	4	POLYCARBONITE

 THIRD ANGLE PROJECTION	IN CONGRU TOLERANCES EXCEPT AS NOTED MM ± 0.30 IN ± 0.15 Ø ± 0.075 ANGLES ±	SFTD JERRY CHKD WFO APP'VL DATE DATE DATE DATE MATERIAL : QT'Y : FINISH: SCALE :	DATE 09/25/08 DATE DATE DATE DATE DATE DATE DATE DATE DATE DATE DATE
----------------------------	--	---	---

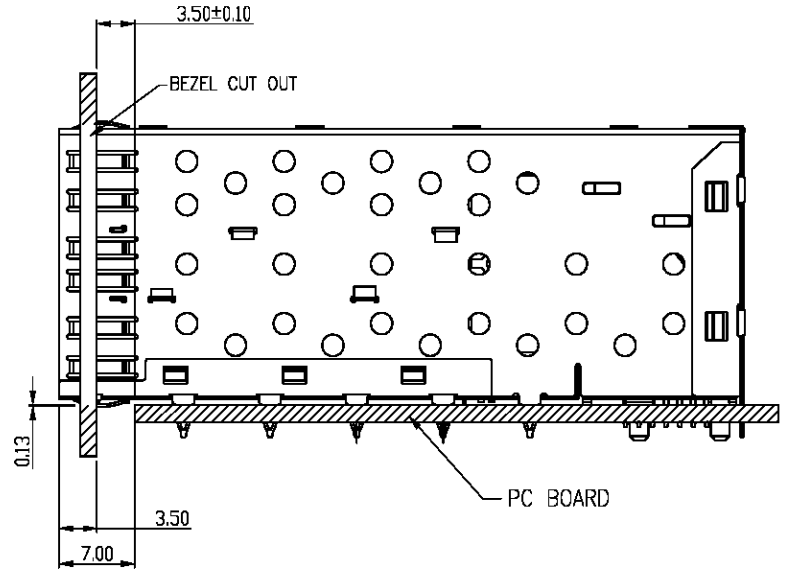
XMULTIPLE	
TITLE SFP CAGE 2X4 PORT W/LIGHT PIPE	
DRAWING NO. SFP-024	SIZE REV A3 <input type="radio"/>
/PART NO. SEE NOTE	
DO NOT SCALE DRAWING	SHEET X OF Y

8 | 7 | 6 | 5 | 4 | 3 | 2 | 1

REVISION RECORD				
REV	ECD	DESCRIPTION	DRFT	CHKD



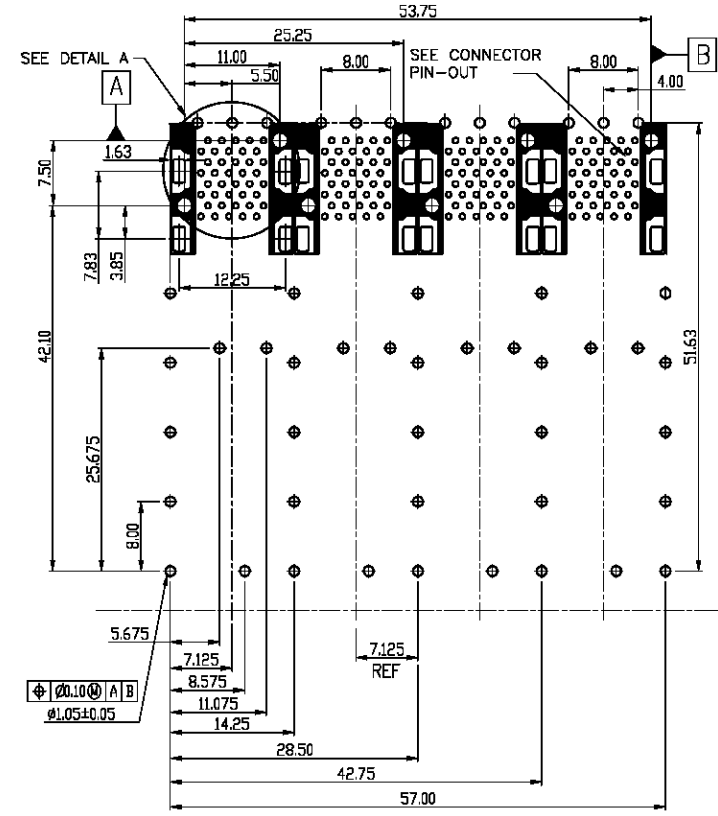
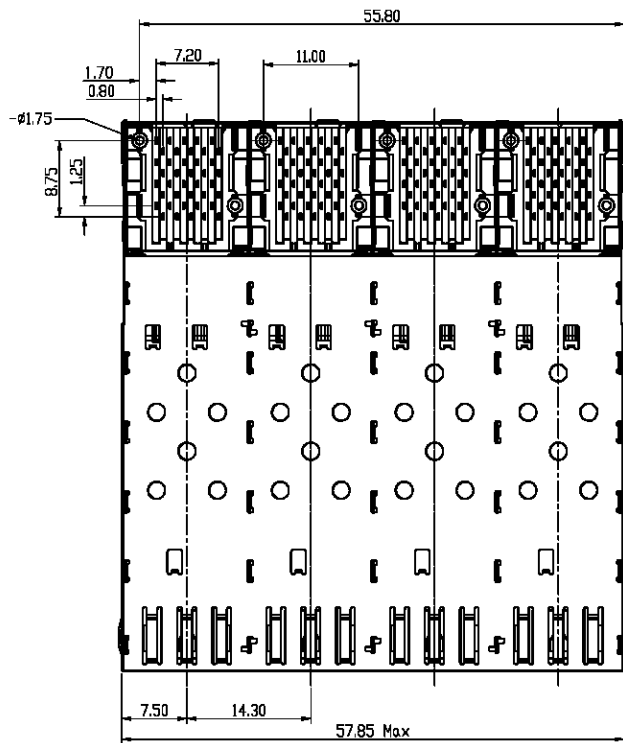
BEZEL CUT-OUT CENTER SPACING DETAIL
BEZEL THICKNESS:0.8-2.6



TOLERANCES EXCEPT AS NOTED .125 ± .025 .001 ± .005 .000 ± .0075 ANGLES ± THIRD ANGLE PROJECTION	DRFT CHKD APPVL	DATE 02/25/09 DATE DATE	XMULTIPLE TITLE SFP CAGE 2X4 PORT WITH LIGHT PIPE DRAWING NO. SFP-024 /PART NO. SEE NOTE SIZE A3 REV 0
	MATERIAL : QT'Y : FINISH:	DATE DATE DATE	
	SCALE :	SHEET X OF Y	
	DO NOT SCALE DRAWING	SHEET X OF Y	

8 | 7 | 6 | 5 | 4 | 3 | 2 | 1

REVISION RECORD				
REV	ECD	DESCRIPTION	DRFT	CHKD



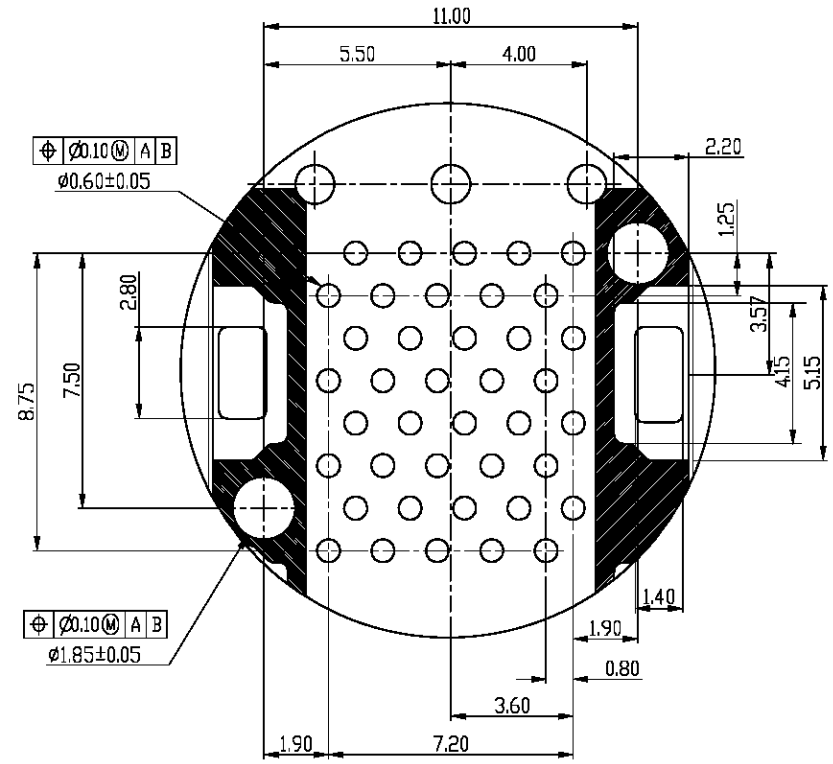
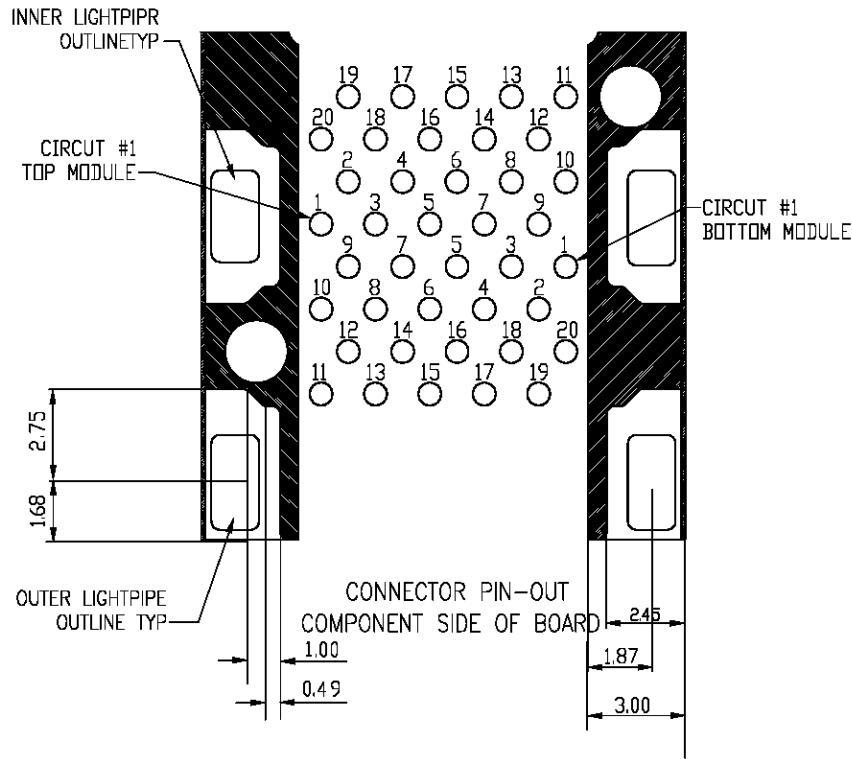
ATTACHED LISTS	MM CHKD	DFTD JERRY	DATE 02/15/06
	TOLENCES EXCEPT AS NOTED	CHKD	DATE
	MM	NFTD	DATE
	J ± 0.20	APPVL	DATE
	MM ± 0.15		
		MATERIAL :	
		QT'Y :	
		FINISH:	
		SCALE :	

XMULTIPLE	
TITLE	
SFP CAGE 2X4 PORT WITH LIGHT PIPE	
DRAWING NO. SFP-024	SIZE REV
7/PART NO. SEE NOTE	A3 0
DO NOT SCALE DRAWING	SHEET X OF Y

8 | 7 | 6 | 5 | 4 | 3 | 2 | 1

H
G
F
E
D
C
B
A

REVISION RECORD				
REV	ECD	DESCRIPTION	DRFT	CHKD



DETAIL A
SCALE 6:1

ATTACHED LISTS DIM CHORD TOLERANCES EXCEPT AS NOTED MM .0 ± 0.20 .30 ± 0.25 .80 ± 0.075 ANGLES ± THIRD ANGLE PROJECTION	DRFT CHKD NFD APPVL	DATE DATE DATE DATE	XMULTIPLE TITLE SFP CAGE 2X4 PORT WITH LIGHT PIPE DRAWING NO. SFP-024 /PART NO. SEE NOTE DO NOT SCALE DRAWING
	MATERIAL : QT'Y : FINISH: SCALE :	DATE 08/25/00 DATE DATE DATE	
	SIZE A3	REV 0	
	SHEET X OF Y	SHEET X OF Y	