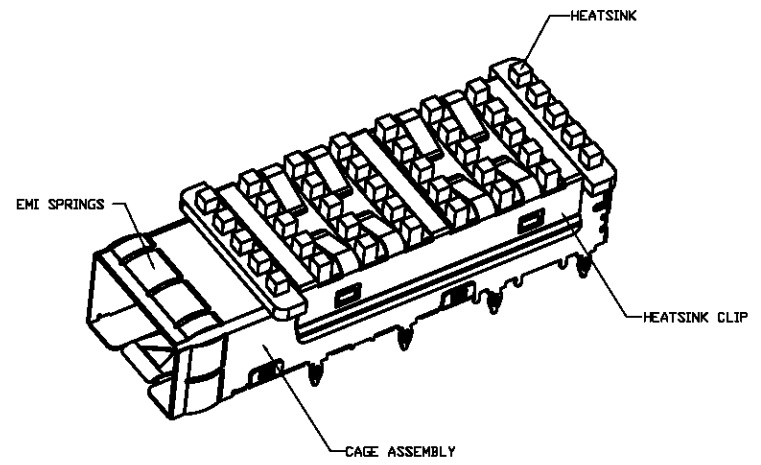
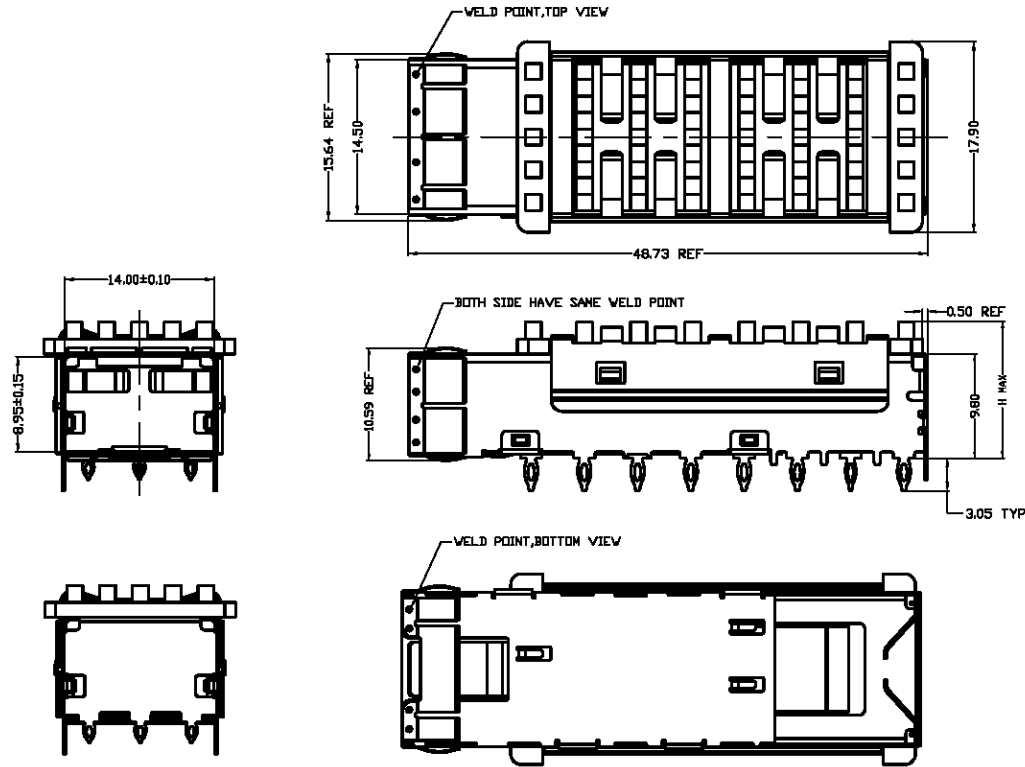


REVISION RECORD				
REV	ECO	DESCRIPTION	DRFT	CHKD



H HEIGHT:
P=13.5mm MAX (PCI)
S=15.8mm MAX (SAN)
N=22.8mm MAX (NETWORKING)

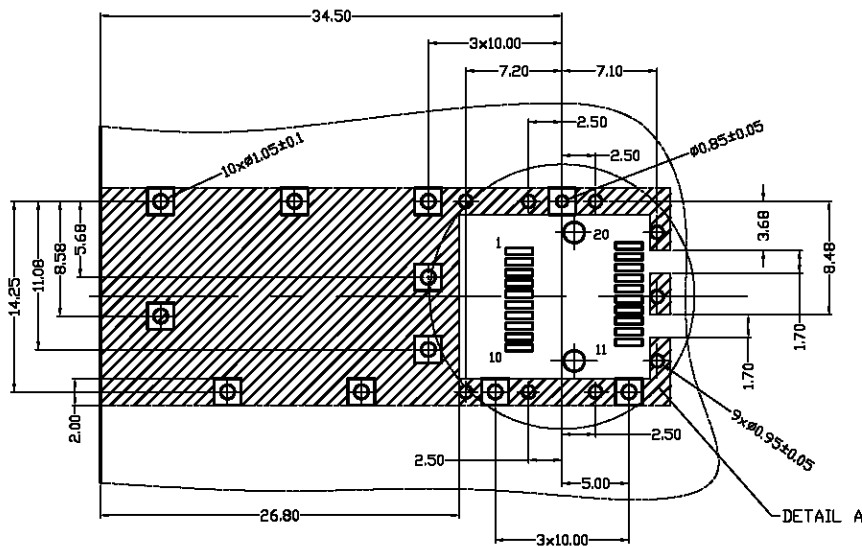
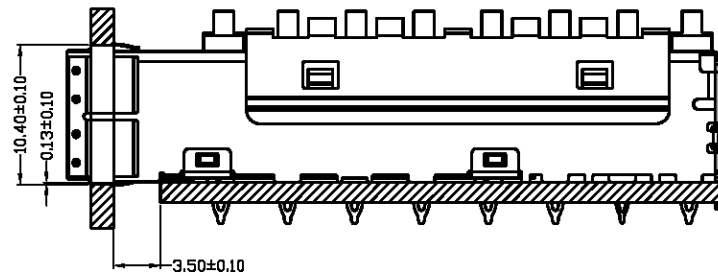
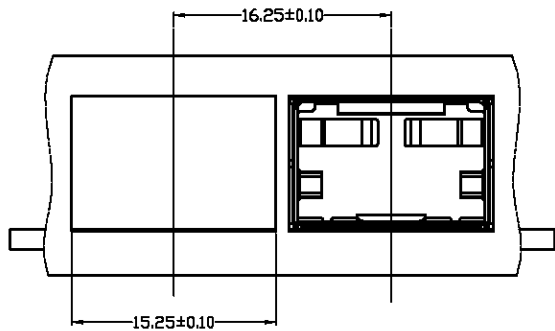
NOTE:

1, DESCRIPTION	PLATING
01 SFP CAGE	NON PLATING
02 SFP HEAT SINK	NON PLATING
03 HEAT SINK CLIP	ANODIZING TREATMENT
04 EMI SPRING	NICKEL PLATING
2, TEMPERATURE:	
OPERATION: -40°C~ +85°C	
STORAGE: -40°C~ +85°C	
3, RoHS COMPLIANT	
4, PART NUMBER : SFP103-L	

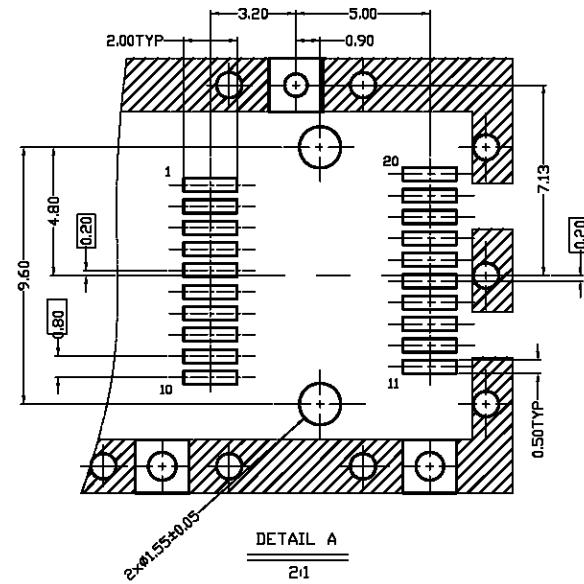
DETACHED LISTS	MM CINCH	DRFTD JERRY	DATE 10/09/10	Xmultiple Technologies, Inc.
	TOLERANCES EXCEPT AS NOTED	CHKD ANDY	DATE 10/09/10	
	MM .0 * 0.20 .20 * 0.15 0.08 * 0.075	MFD	DATE	
	ANGLES *	APPVL ALANN	DATE 10/10/10	
	THIRD ANGLE PROJECTION	QT'Y :	MATERIAL :	TITLE
		FINISH:		SFP+ CAGE 1 PORT WITH HEAT SINK
		SCALE :		DRAWING NO. SFP-103
				/PART NO. SEE NOTE
				DO NOT SCALE DRAWING
				SHEET X OF Y

H
G
F
E
D
C
B
A

REVISION RECORD				
REV	ECD	DESCRIPTION	DRFT	CHKD



PCB LAYOUT THICKNESS=3.0mm (TOP VIEW)



DIMENSIONS TOLERANCES EXCEPT AS NOTED MM .0 ± 0.02 .00 ± 0.05 .000 ± 0.075 ANGLES ± THIRD ANGLE PROJECTION	DWG: JERRY CHKD: ANDY APPVL: ALAN QTY: 1 FINISH: SCALE: 1	DATE: 10/09/10 DATE: 10/09/10 DATE: 10/10/10 MATERIAL: 1 DATE: 10/10/10	Xmultiple Technologies, Inc. TITLE SFP+ CAGE 1 PORT WITH HEAT SINK		
	DRAWING NO. SFP-103 /PART NO. SEE NOTE				SIZE: A3 REV: 0
	DO NOT SCALE DRAWING			SHEET X OF Y	