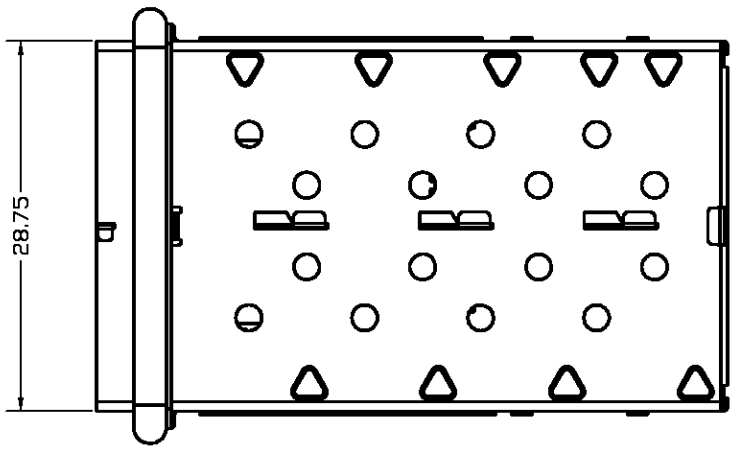
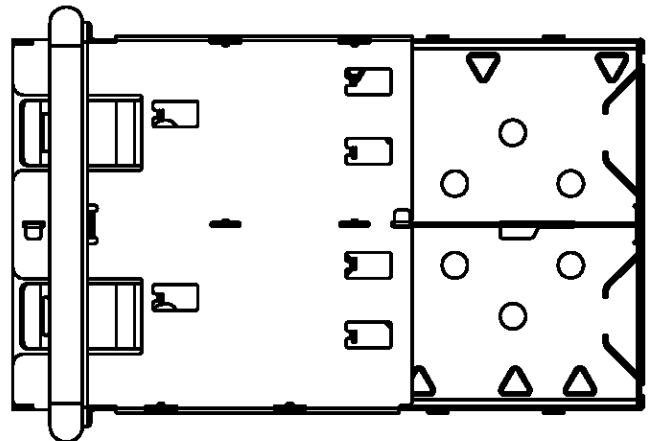
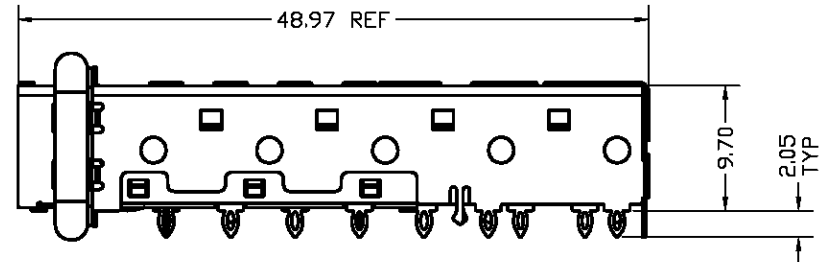
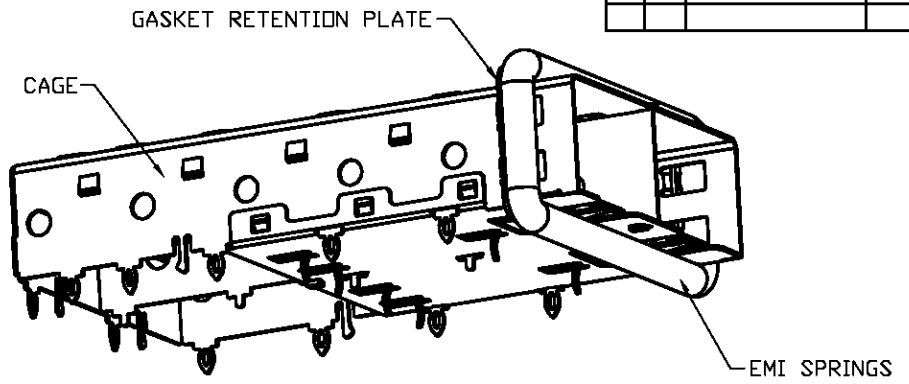
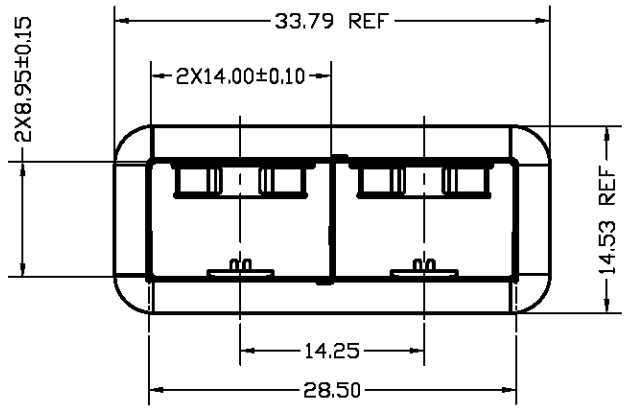


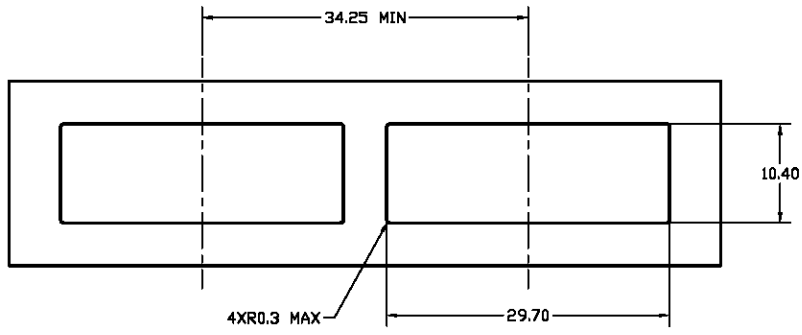
REVISION RECORD				
REV	ECO	DESCRIPTION	DRFT	CHKD



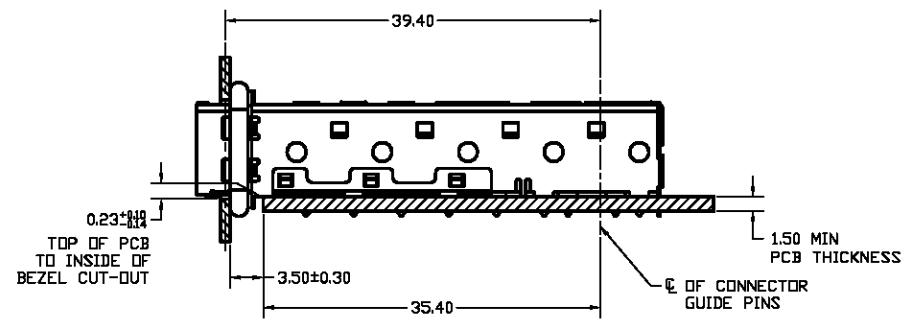
- NOTE:
- DESCRIPTION MATERIAL PLATING
 - 01 SFP TOP CAGE: COPPER ALLOY NICKEL PLATING
 - 02 SFP BOTTOM CAGE: COPPER ALLOY NICKEL PLATING
 - 03 EMI GASKET: FILLED SILICONE NICKEL PLATING
 - 04 GASKET RETENTION PLATE: COPPER ALLOY.
 - TEMPERATURE:
 - OPERATION: -40°C~ +85°C
 - STORAGE: -40°C~ +85°C
 - RoHS COMPLIANT
 - PART NUMBER : SFP012E-L

DIMENSIONS EXCEPT AS NOTED MM .01 ± 0.02 .00 ± 0.015 .000 ± 0.075 ANGLES ± THIRD ANGLE PROJECTION	DRFT DATE 05/09/20	XMULTIPLE TITLE SFP+ CAGE 1X2 PORT,W/ELASTOMER GASKET DRAWING NO. SFP-012E /PART NO. SEE NOTE DO NOT SCALE DRAWING
	CHKD DATE	
	APPVL DATE	
	MATERIAL : QT'Y : FINISH: SCALE :	
SHEET X OF Y		SIZE A3 REV 0

REVISION RECORD				
REV	ECO	DESCRIPTION	DRFT	CHKD



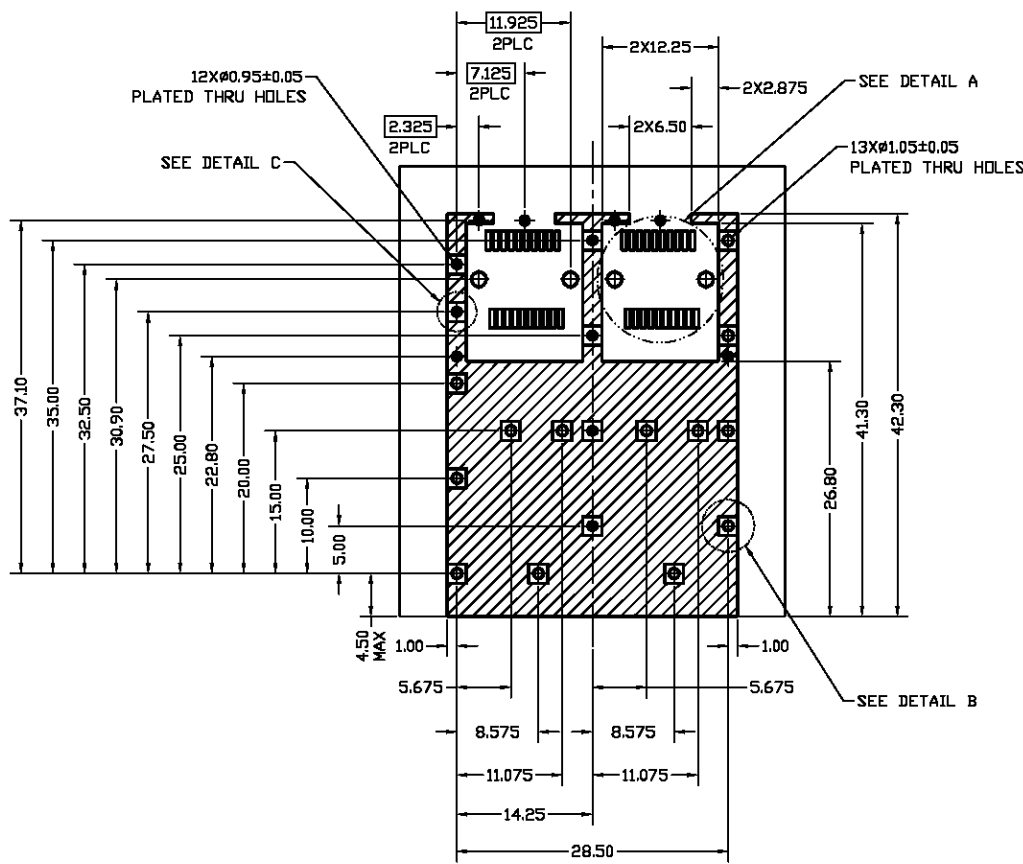
RECOMMENDED BEZEL CUT-OUT
SINGLE SIDED APPLICATIONS



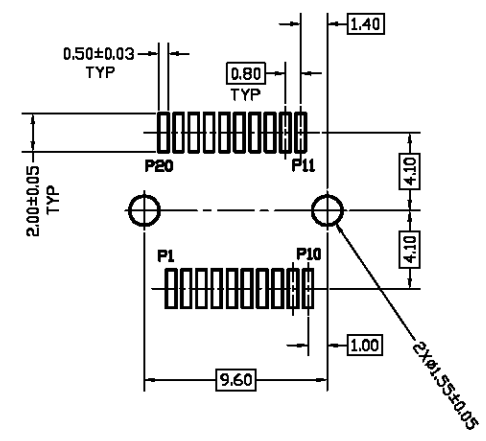
SHOWN THRU RECOMMENDED BEZEL

DETACHED LISTS	MM CONVD		DRFT / NOT	DATE 05/09/08	XMULTIPLE
	TOLERANCES EXCEPT AS NOTED		CHKD	DATE	
	.00 ± 0.25		APPVL	DATE	
	.00 ± 0.15		MATERIAL :		
.00 ± 0.075		ANGLES ±	QTY :		TITLE
THIRD ANGLE PROJECTION		FINISH:	SCALE :		SFP+ CAGE 1X2 PORT,W/ELASTOMER GASKET
					DRAWING NO. SFP-012E
					/PART NO. SEE NOTE
					SIZE A3
					REV 0
					DO NOT SCALE DRAWING
					SHEET X OF Y

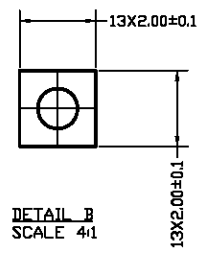
REVISION RECORD				
REV	ECO	DESCRIPTION	DRAFT	CHKD



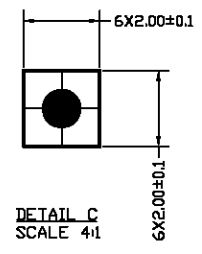
RECOMMENDED PCB LAYOUT
WITH KEEP-OUT AREAS
SINGLE SIDED APPLICATIONS



DETAIL A
SCALE 2:1



DETAIL B
SCALE 4:1



DETAIL C
SCALE 4:1

TOLERANCES EXCEPT AS NOTED MM .1 ± 0.20 .2 ± 0.15 .50 ± 0.275 ANGLES ± THIRD ANGLE PROJECTION	DIM CIRC-D	DFTD AMBY CHKO NFD APPVL	DATE 8/22/98 DATE DATE DATE	XMULTIPLE TITLE SFP+ CAGE 1X2 PORT,W/ELASTOMER GASKET DRAWING NO. SFP-012E /PART NO. SEE NOTE DO NOT SCALE DRAWING	SIZE A3	REV 0
	MATERIAL : QT'Y : FINISH:	SCALE :	SHEET X OF Y			
	DETACHED LISTS		SHEET X OF Y			
	SHEET X OF Y		SHEET X OF Y			