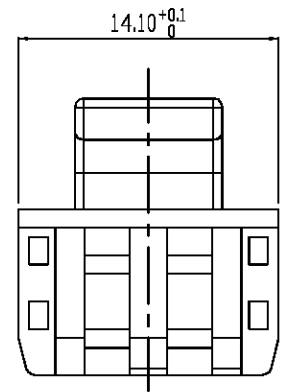
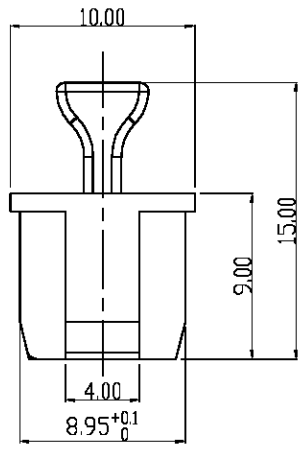
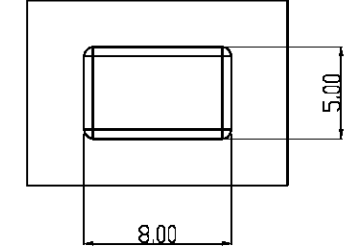
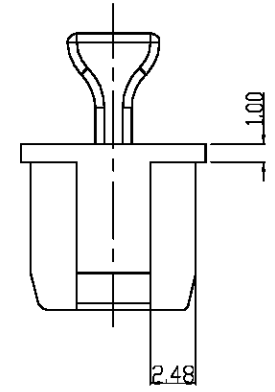
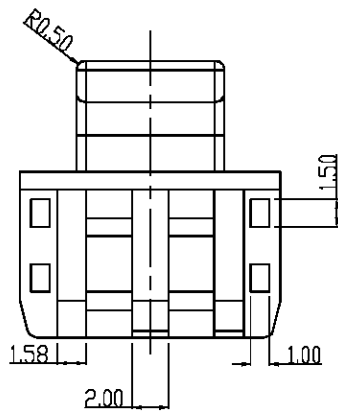


REVISION RECORD				
REV	ECO	DESCRIPTION	DRFT	CHKD



NOTE:
 1,MECHANICAL:
 MATERIAL:PVC
 2,ROHS COMPLIANT
 PART NUMBER : SFPC002-L

ATTACHED LISTS		DFTD JERRY CHKD ANDY MFD APPVL/ANN DATE 06/07/07	DATE 06/06/07 DATE 06/07/07 DATE 06/07/07	<h1 style="margin: 0;">XMULTIPLE</h1> <p style="margin: 5px 0;">TITLE</p> <p style="margin: 5px 0; font-weight: bold;">SFP DUST COVER</p> <table border="1" style="width: 100%; border-collapse: collapse;"> <tr> <td style="font-size: small;">DRAWING NO. SFPC-002</td> <td style="font-size: small;">SIZE A3</td> <td style="font-size: small;">REV</td> </tr> <tr> <td style="font-size: small;">/PART NO. SEE NOTE</td> <td style="text-align: center; font-size: 2em;">0</td> <td style="text-align: center; font-size: 2em;">O</td> </tr> <tr> <td style="font-size: x-small;">DO NOT SCALE DRAWING</td> <td style="font-size: x-small;">SHEET X</td> <td style="font-size: x-small;">OF Y</td> </tr> </table>	DRAWING NO. SFPC-002	SIZE A3	REV	/PART NO. SEE NOTE	0	O	DO NOT SCALE DRAWING	SHEET X	OF Y
	DRAWING NO. SFPC-002	SIZE A3	REV										
	/PART NO. SEE NOTE	0	O										
	DO NOT SCALE DRAWING	SHEET X	OF Y										
TOLERANCES EXCEPT AS NOTED: FH ± 0.25 DH ± 0.15 WH ± 0.075 ANGLES ±		MATERIAL : QT'Y : FINISH: SCALE :											