

CTC 1 2 3 4 5 6 7 8 CTC

F F

E E

D D

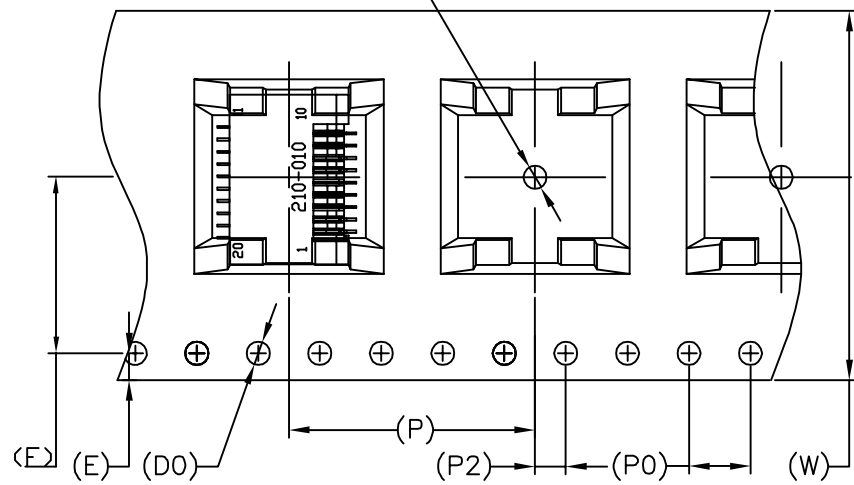
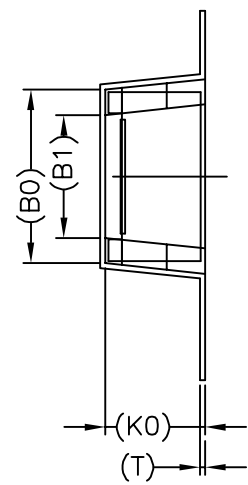
C C

B B

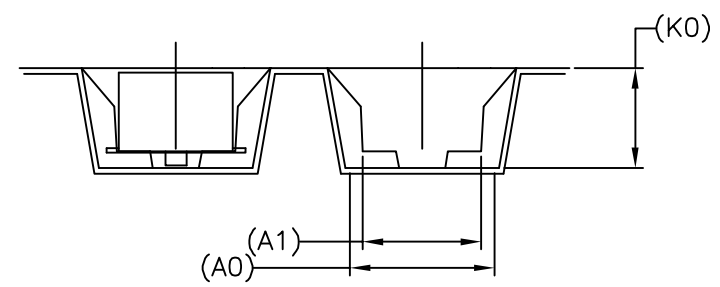
A A

CTC 1 2 3 4 5 6 7 8 CTC

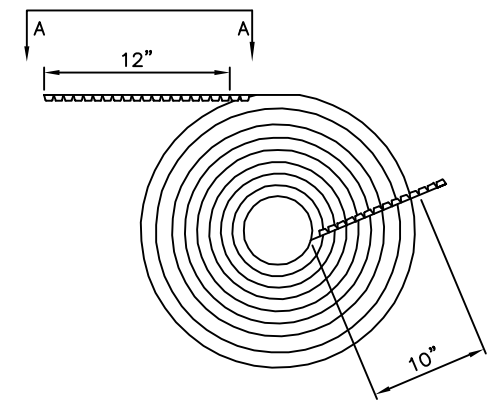
DIRECTION OF UNWINDING ←



VIEW A-A



W	24.00±0.30
E	1.75±0.10
F	11.50±0.10
P	16.00±0.10
T	0.35±0.05
PO	4.00±0.10
P2	2.00±0.10
DO	∅1.50±0.10
D1	∅1.50±0.10
AO	10.00±0.10
A1	8.00±0.10
B0	11.30±0.10
B1	8.00±0.10
KO	6.50±0.10



NOTES:

1. 10 sprocket hole pitch cumulative tolerance ±0.20 .
2. Carrier camber is within 1 mm in 100mm.
3. Material : Black Conductive Polystyrene Alloy
100% recyclable.
4. All dimensions meet EIA-481-3 requirements.
5. Thickness : 0.30±0.05mm.
6. Component load 500 pcs per 13" diameter reel

Xmultiple Technology Inc.						
TOLERANCES		TITLE 20P SFP CONNECTOR PACKING				
X.X ±0.3	TITLE	DRAWN BY		CHECKED BY		
X.XX ±0.2		<i>Angela</i>		<i>Paise</i>		
X.XXX ±0.1		APPROVED BY		<i>Benson</i>		
Angle ±5°		UNIT		SCALE	SIZE	DRAW NO.
13001		MM	NONE	A4	XA130A01	A